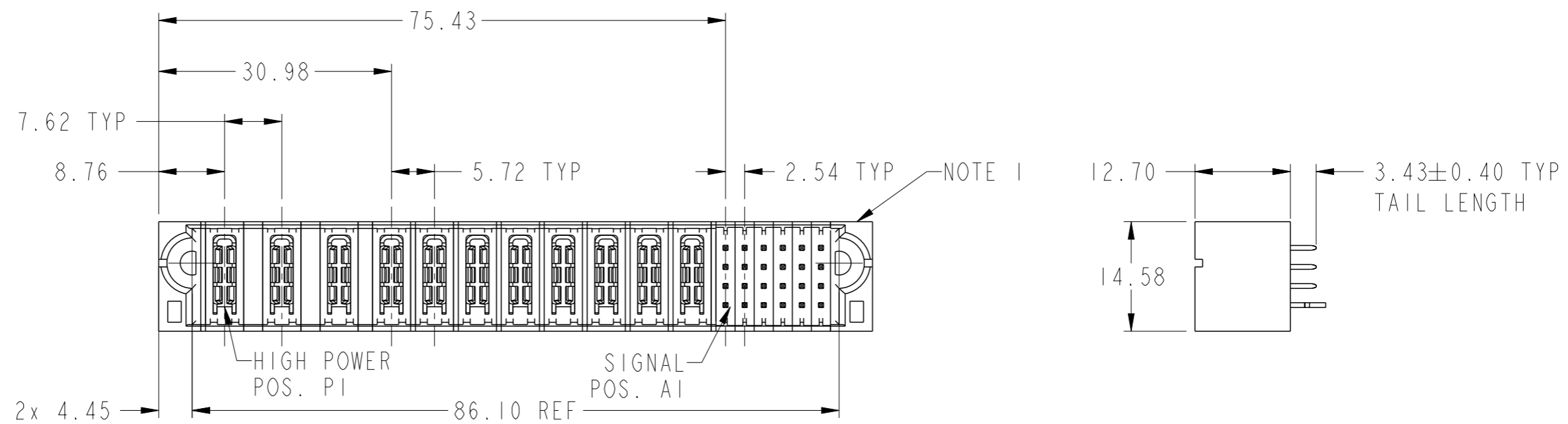
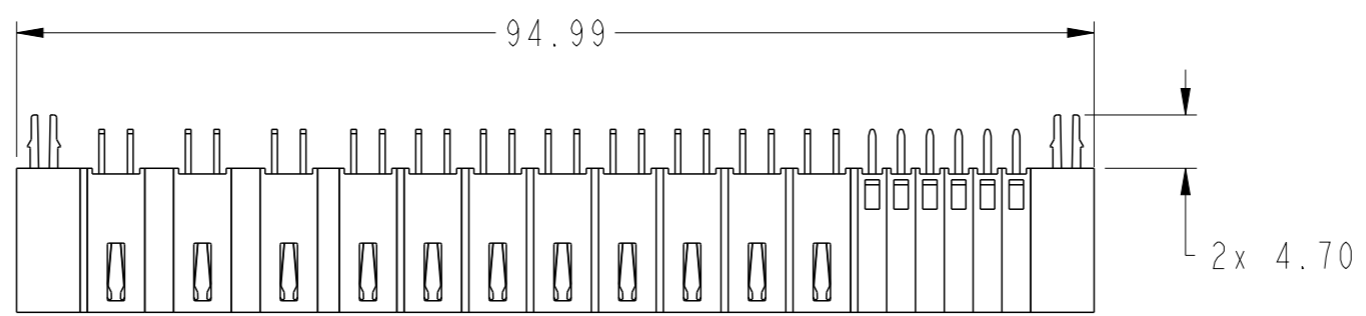
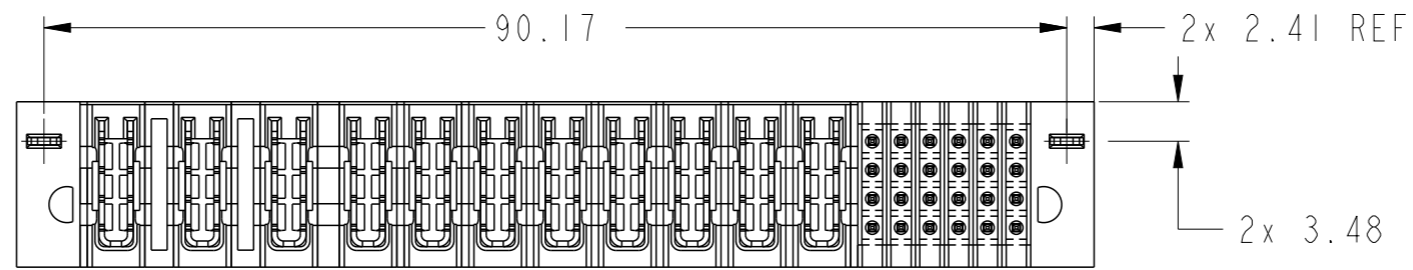
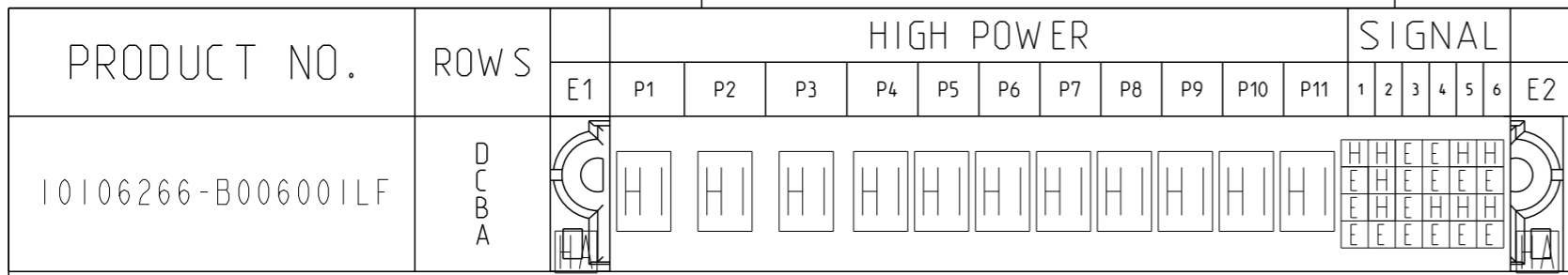


PART NUMBER SEE SHEET 2

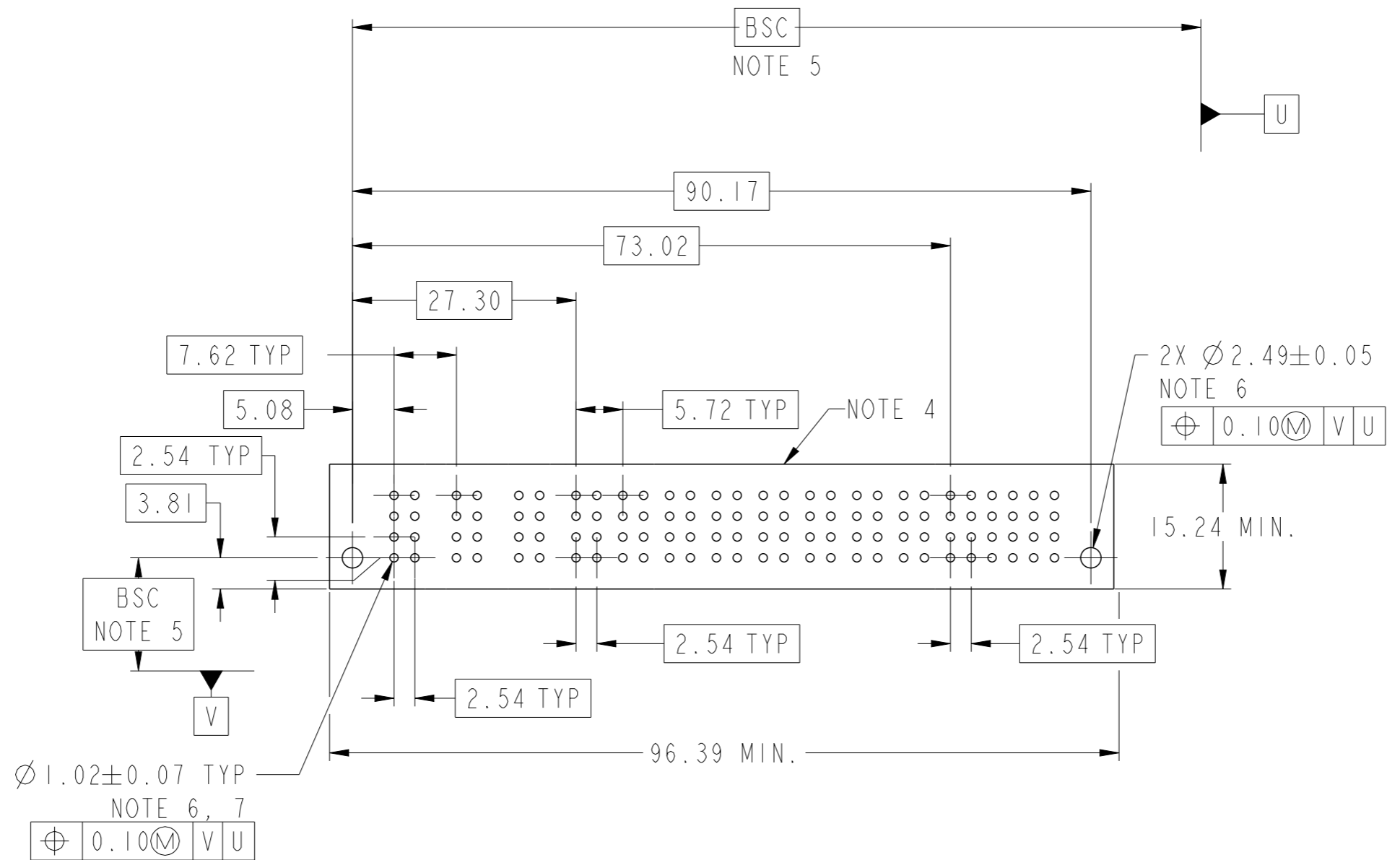


spec ref	*	dr	Rainbow Zhan	2014/09/05	projection	MM	size	A3	scale	3:2																				
tolerance std	ASME Y14.5	eng	Rainbow Zhan	2014/09/18			ecn no	-	rel level	Released																				
TOLERANCES UNLESS OTHERWISE SPECIFIED		chr	Li-He	2014/09/18			product family	PwrBlade+																						
surface	<table border="1"> <tr> <td>linear</td> <td>0.X</td> <td>±0.5</td> </tr> <tr> <td></td> <td>0.XX</td> <td>±0.25</td> </tr> <tr> <td></td> <td>0.XXX</td> <td>±0.10</td> </tr> <tr> <td>angular</td> <td>0°</td> <td>±2°</td> </tr> </table>	linear	0.X	±0.5		0.XX	±0.25		0.XXX	±0.10	angular	0°	±2°	appr	Pei-Ming Zheng	2014/09/18		<table border="1"> <tr> <td>part no</td> <td>3ACP + 8HDP + 24S</td> </tr> <tr> <td>cat. no.</td> <td>VERTICAL STB HEADER</td> </tr> </table>	part no	3ACP + 8HDP + 24S	cat. no.	VERTICAL STB HEADER	<table border="1"> <tr> <td>dwg no</td> <td>10106266-B006001</td> </tr> <tr> <td>rev</td> <td>A</td> </tr> </table>	dwg no	10106266-B006001	rev	A	Product - Customer Drw		sheet 1 of 3
linear	0.X	±0.5																												
	0.XX	±0.25																												
	0.XXX	±0.10																												
angular	0°	±2°																												
part no	3ACP + 8HDP + 24S																													
cat. no.	VERTICAL STB HEADER																													
dwg no	10106266-B006001																													
rev	A																													

Copyright FCI. FCI



CODE	DESCRIPTION
E	STD SIGNAL CONTACT
H	MLBF SIGNAL CONTACT
HI	STD HIGH POWER CONTACT
HA	METAL HOLD DOWN



dr	Rainbow Zhan	2014/09/05	projection	MM	size	A3	scale	3:2
eng	Rainbow Zhan	2014/09/18		← →	ecn no	-	rel level	Released
chr	Li-He	2014/09/18						
appr	Pei-Ming Zheng	2014/09/18	product family	PwrBlade+				
			title 3ACP + 8HDP + 24S VERTICAL STB HEADER		dwg no 10106266-B006001		rev A	
www.fci.com			cat. no.		Product - Customer Drw			sheet 2 of 3

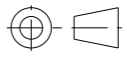
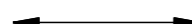

Copyright FCI.

NOTES:

- 1) "FCI", PART NUMBER AND DATE CODE TO BE MARKED ON THIS SURFACE.
THE MARK CAN BE OMITTED IF THERE IS NOT ENOUGH SPACE ON THIS SURFACE.
- 2) MATERIALS:
-HOUSING - GLASS FILLED WITH HIGH TEMP THERMOPLASTIC, UL94V-0.
-SIGNAL CONTACT - COPPER ALLOY.
-POWER CONTACT - HIGH CONDUCTIVITY COPPER ALLOY.
- 3) PLATING SPECIFICATION REFER TO FCI 10116351
- 4) DENOTES CONNECTOR KEEP OUT ZONE.
- 5) DATUM AND BASIC DIMENIONS WERE ESTABLISHED BY CUSTOMER.
- 6) ALL HOLE DIAMETERS ARE FINISHED HOLE SIZES.
- 7) 1.15±0.025MM DRILLED HOLE PLATED WITH 0.00762MM MIN Sn
OVER 0.0254-0.0762MM Cu PLATING TO ACHIEVE A 1.02±0.07MM HOLE.
- 8) PRODUCT SPECIFICATION REFER TO FCI GS-12-658.
APPLICATION SPECIFICATION REFER TO FCI GS-20-141.
PRODUCT PACKAGED IN TRAYS, REFER TO FCI GS-14-1502.



Copyright FCI.

dr	Rainbow Zhan	2014/09/05	projection 	MM 	size	A3	scale	3:2
eng	Rainbow Zhan	2014/09/18			ecn no	-		
chr	Li-He	2014/09/18			rel level	Released		
appr	Pei-Ming Zheng	2014/09/18	product family	PwrBlade+				
		3ACP + 8HDP + 24S VERTICAL STB HEADER			cat. no. 10106266-B006001	rev A		
www.fci.com		Product - Customer Drw			sheet 3 of 3			