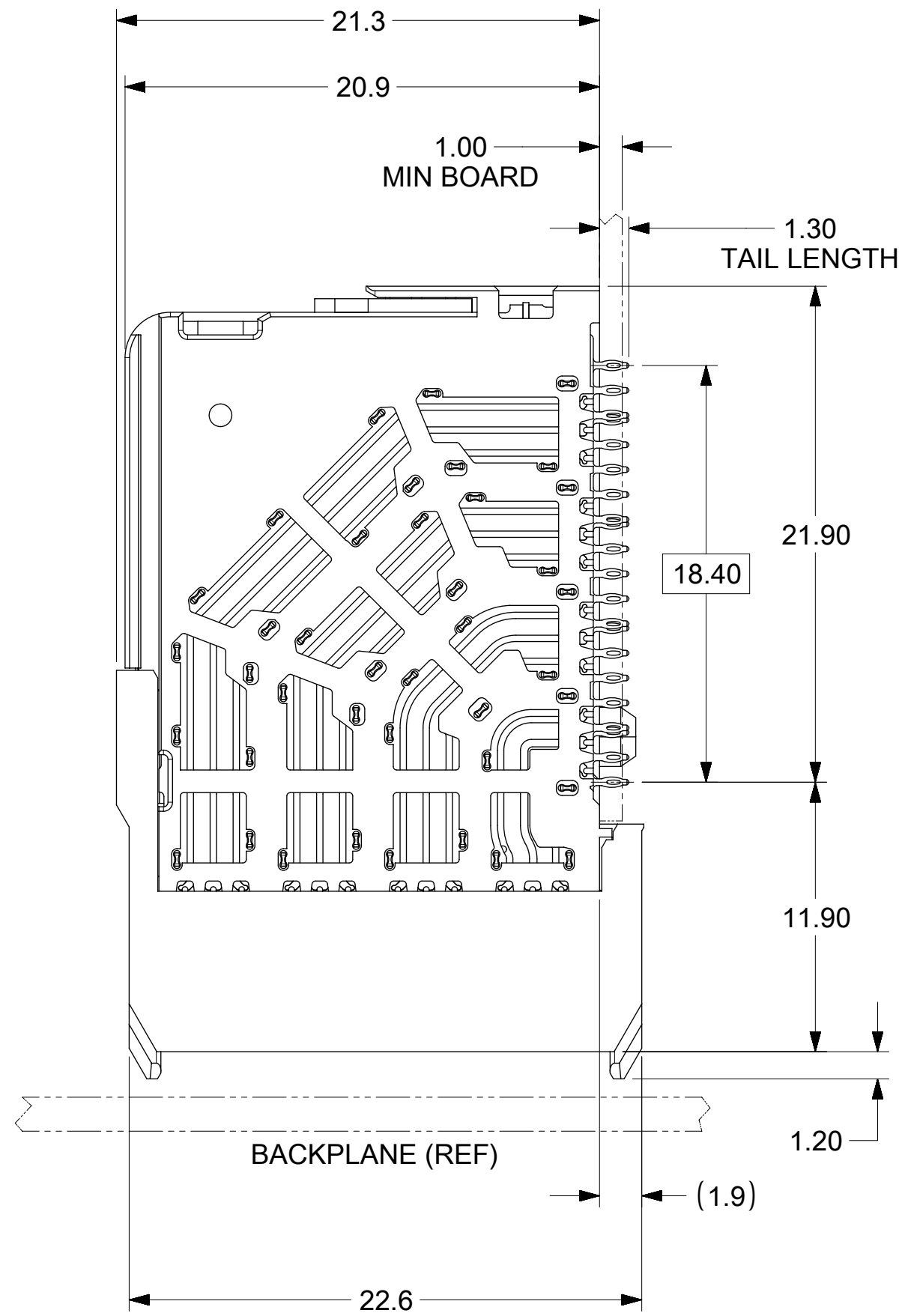
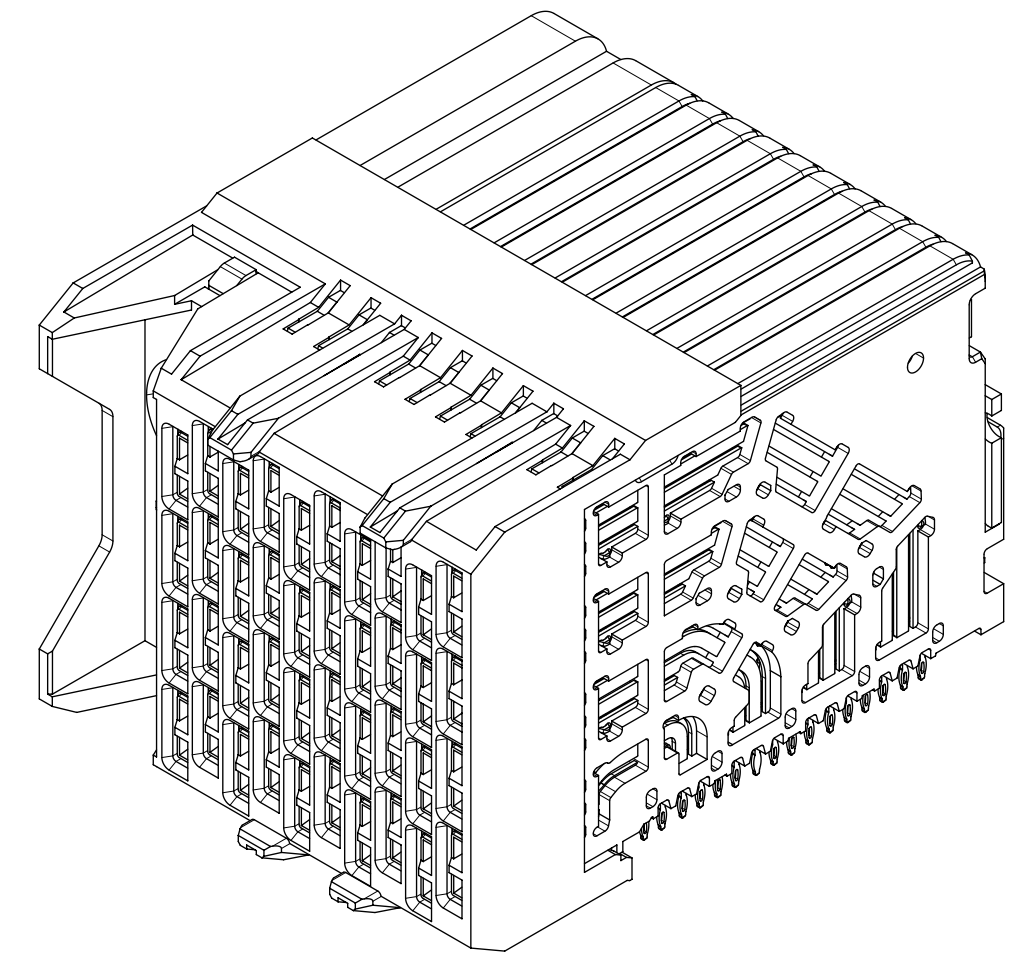


KEY SHOWN IN POSITION "A"



NOTES:

1. MATERIALS: HOUSING - LIQUID CRYSTAL POLYMER (LCP) GLASS-FILLED, UL94V-0
TERMINALS - HIGH PERFORMANCE COPPER ALLOY
2. FINISH: 30uIN GOLD IN CONTACT AREA.
SELECTIVE TIN ON PCB TAILS.
NICKEL OVERALL.
3. REFER TO MOLEX PRODUCT SPECIFICATION PS-171320-999 FOR PERFORMANCE SPECIFICATIONS.
4. THIS PART CONFORMS TO CLASS B REQUIREMENTS OF MOLEX COSMETIC SPEC PS-45499-002.
5. PRODUCT WILL BE PACKAGED PER PK-78888-085.
6. SEE SHEET 2 FOR HOLE PATTERN DIMENSIONS.
7. MATES WITH IMPEL BP SERIES NUMBER 171315.
8. REFER TO IMPEL PCB ROUTING GUIDE AS-171320-990 FOR ANTIPAD, ROUTING RECOMMENDATIONS, AND ADDITIONAL PCB INFORMATION.
9. WHEN STACKING MODULES END TO END, THE MINIMUM COLUMN TO COLUMN HOLE SPACING IS 2.65mm.
10. WHEN USING THE SUPPLIED 2-32 THREAD FORMING SCREW (P/N 73726-0000), THE MAXIMUM RECOMMENDED BOARD THICKNESS IS 4.4mm.



QUALITY SYMBOLS	THIS DRAWING CONTAINS INFORMATION THAT IS PROPRIETARY TO MOLEX ELECTRONIC TECHNOLOGIES, LLC AND SHOULD NOT BE USED WITHOUT WRITTEN PERMISSION			DIMENSION UNITS		SCALE	molex			
▽ = 0	GENERAL TOLERANCES (UNLESS SPECIFIED)			MM ONLY		4:1				
▽ = 0	REMASTERED TO NX EC NO: 119227 DRWN: NSRVATSAHS CHKD: CYLIAN APPR: DWLE01	ANGULAR TOL ± 0.5 °			DRWN BY	DATE		IMPEL DAUGHTERCARD ASSY 4 PAIR - 1.9MM PITCH GUIDE LEFT SALES DWG		
▽ = 0		4 PLACES ±			JLAURX	2012/11/19				
▽ = 0		3 PLACES ±			CHKD BY	DATE		PRODUCT CUSTOMER DRAWING		
▽ = 0		2 PLACES ± 0.13			APPR BY	DATE				
▽ = 0		1 PLACE ± 0.25			JBINGHAM	2014/06/06				
▽ = 0	0 PLACES ±			DRAWING SIZE		THIRD ANGLE PROJECTION		SERIES	MATERIAL NUMBER	CUSTOMER
▽ = 0	DRAFT WHERE APPLICABLE MUST REMAIN WITHIN DIMENSIONS			C		171320		SEE CHART	GENERAL MARKET	
▽ = 0						DOCUMENT NUMBER		SD-171320-0002	DOC TYPE	PSD
								DOC PART	001	SHEET NUMBER
								1 OF 2		

MATERIAL NUMBER	NUMBER OF COLUMNS	NUMBER OF DIFF PAIR	DIM "A"	DIM "B"
171320-3*36	6	24	19.60 MAX	9.50
171320-3*38	8	32	23.40 MAX	13.30
171320-3*20	10	40	27.20 MAX	17.10
171320-3*22	12	48	31.00 MAX	20.90
171320-3*24	14	56	34.80 MAX	24.70
171320-3*26	16	64	38.60 MAX	28.50

171320-3***

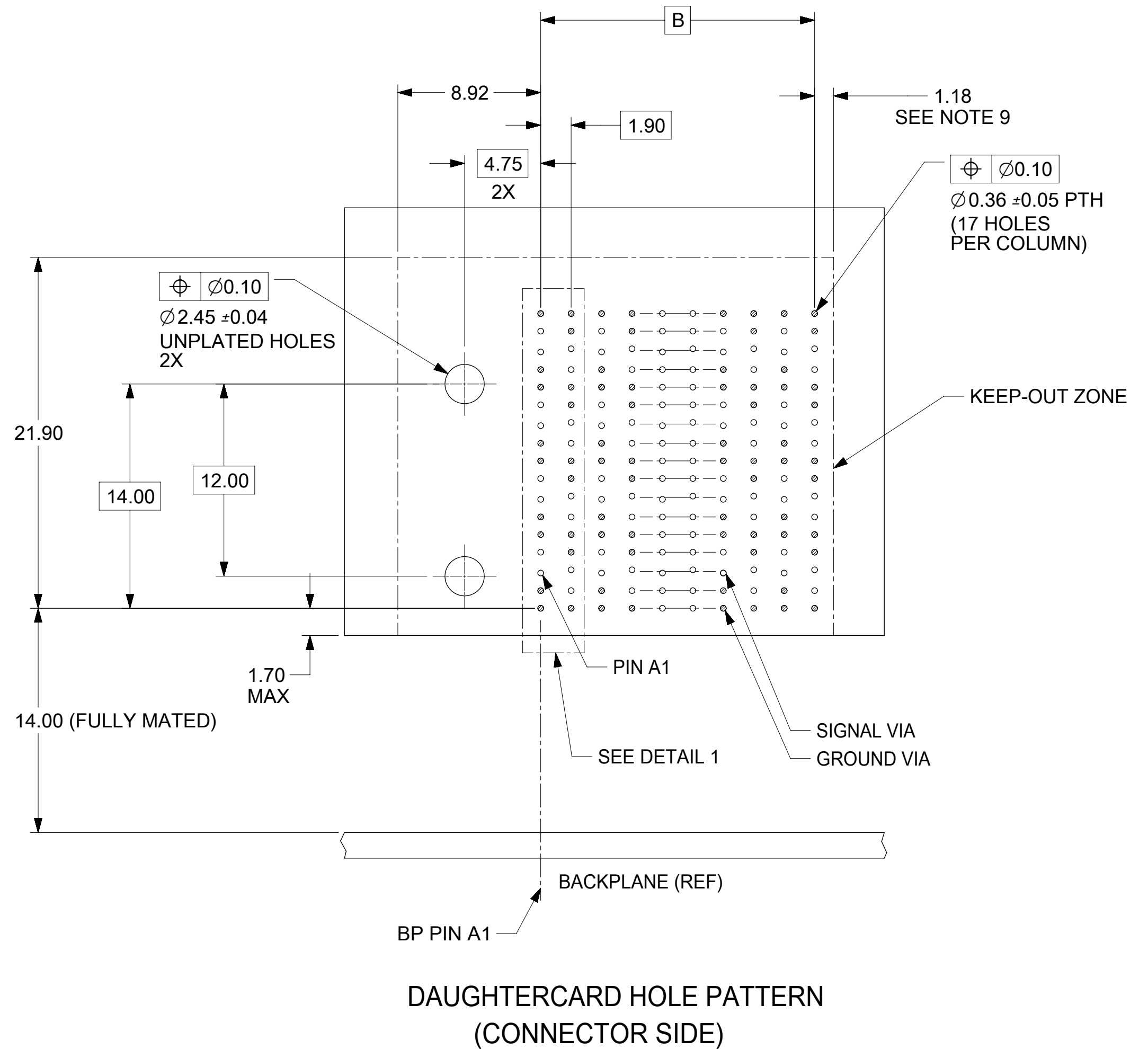
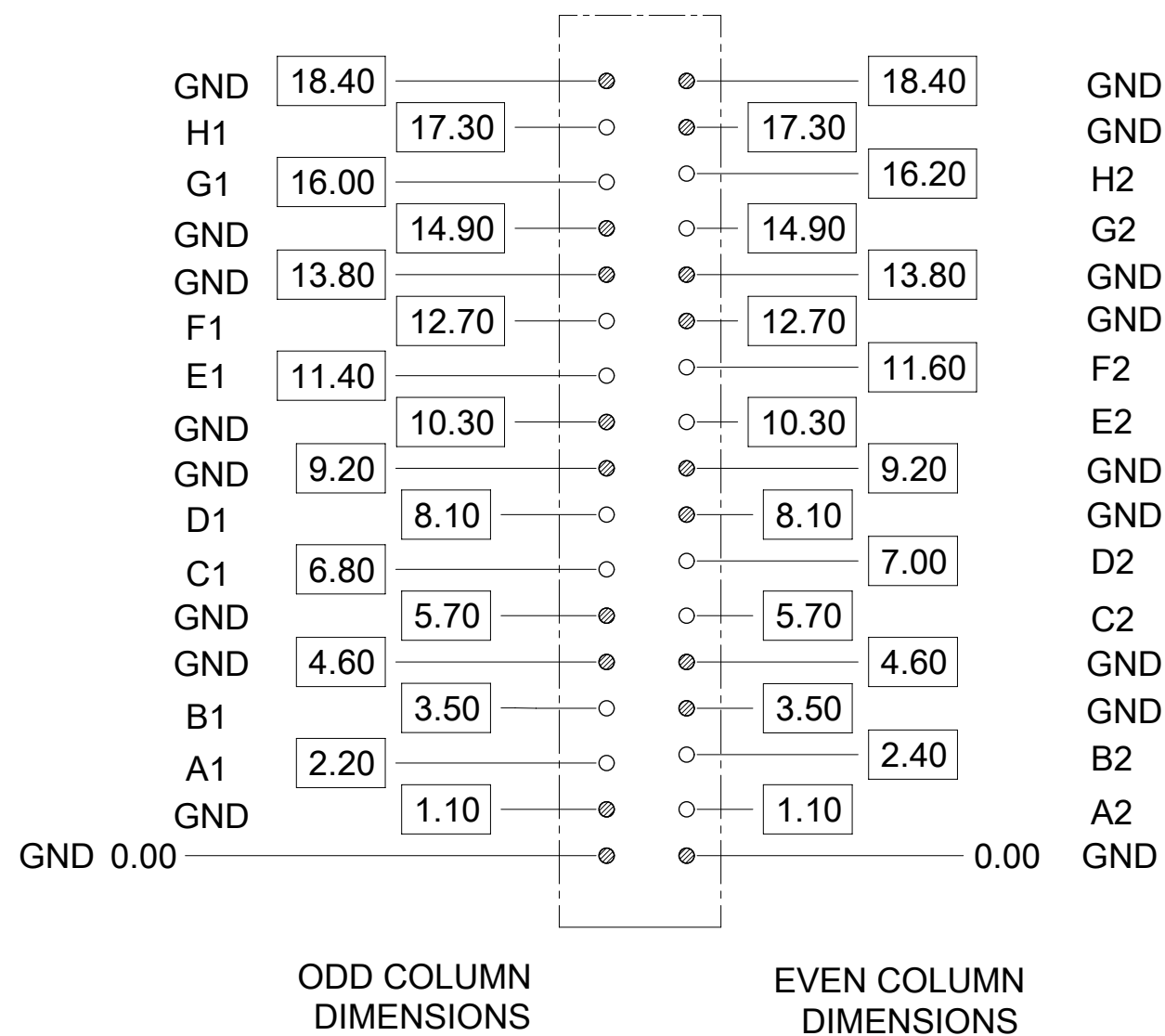
MODULE TYPE
3 = GUIDE LEFT

KEY ORIENTATION

COLUMN SIZE

36 = 6 COLUMN
38 = 8 COLUMN
20 = 10 COLUMN
22 = 12 COLUMN
24 = 14 COLUMN
26 = 16 COLUMN

0 = NO KEY
1 = A 5 = E
2 = B 6 = F
3 = C 7 = G
4 = D 8 = H



QUALITY SYMBOLS	THIS DRAWING CONTAINS INFORMATION THAT IS PROPRIETARY TO MOLEX ELECTRONIC TECHNOLOGIES, LLC AND SHOULD NOT BE USED WITHOUT WRITTEN PERMISSION		GENERAL TOLERANCES (UNLESS SPECIFIED)		DIMENSION UNITS	SCALE	molex	
$\nabla = 0$	REMASTERED TO NX	EC NO: 119227	2017/06/23	ANGULAR TOL $\pm 0.5^\circ$	MM ONLY	1:1		
$\nabla = 0$	DRWN: NSRVATSAHS	2017/08/11	2017/08/28	4 PLACES \pm	DRWN BY	DATE	IMPEL DAUGHTERCARD ASSY	
$\nabla = 0$	CHKD: CYLIAN	2017/08/28		3 PLACES \pm	JLAURX	2012/11/19	4 PAIR - 1.9MM PITCH GUIDE LEFT SALES DWG	
$\nabla = 0$	REV: APPR: DWLE01			2 PLACES ± 0.13	CHKD BY	DATE	PRODUCT CUSTOMER DRAWING	
$\nabla = 0$				1 PLACE ± 0.25	APPR BY	DATE	SERIES MATERIAL NUMBER CUSTOMER	
$\nabla = 0$				0 PLACES \pm	JBINGHAM	2014/06/06	171320	SEE CHART
$\nabla = 0$				DRAFT WHERE APPLICABLE MUST REMAIN WITHIN DIMENSIONS	DRAWING SIZE	THIRD ANGLE PROJECTION	DOCUMENT NUMBER DOC TYPE DOC PART SHEET NUMBER	
					C		SD-171320-0002	PSD 001 2 OF 2