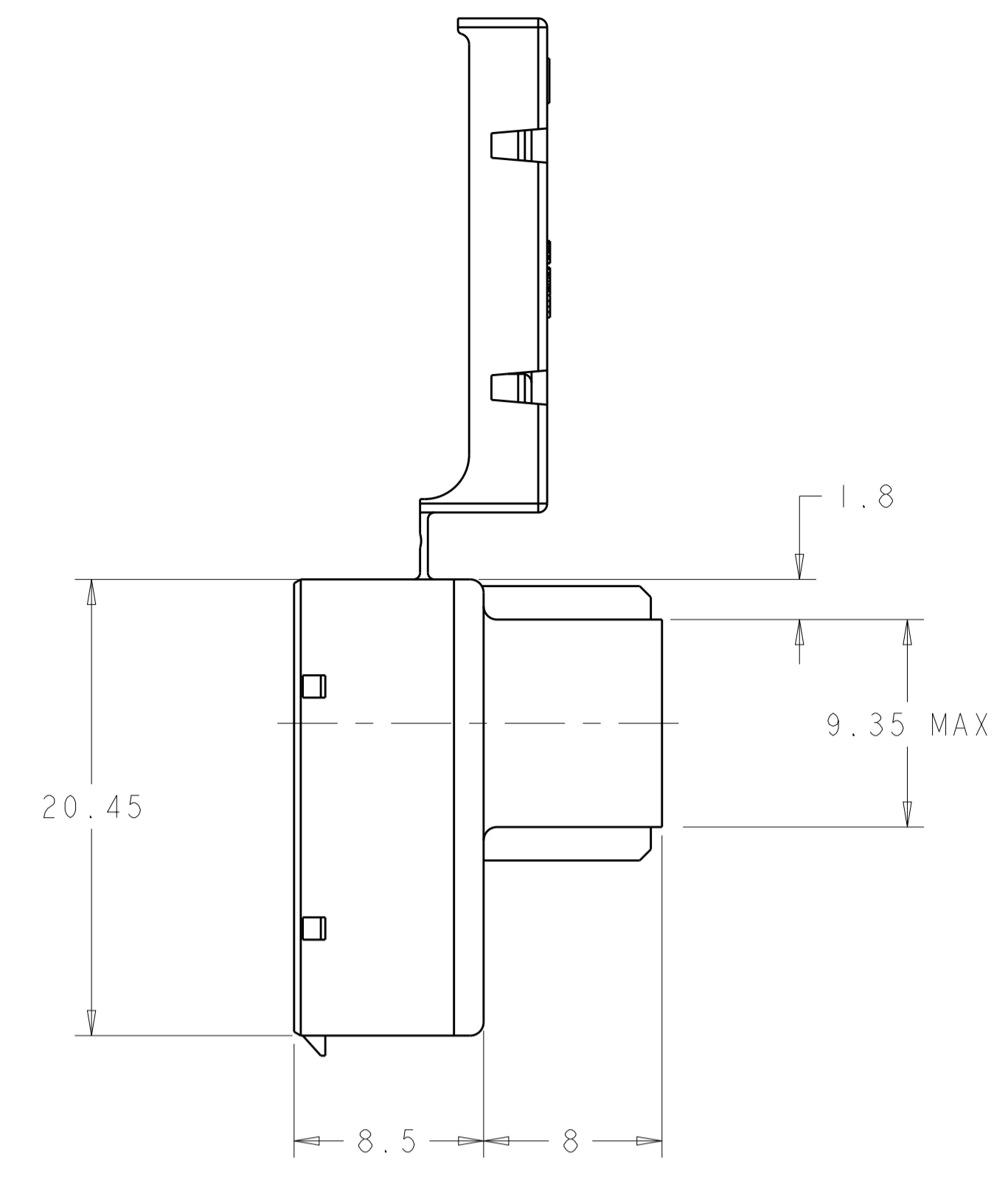
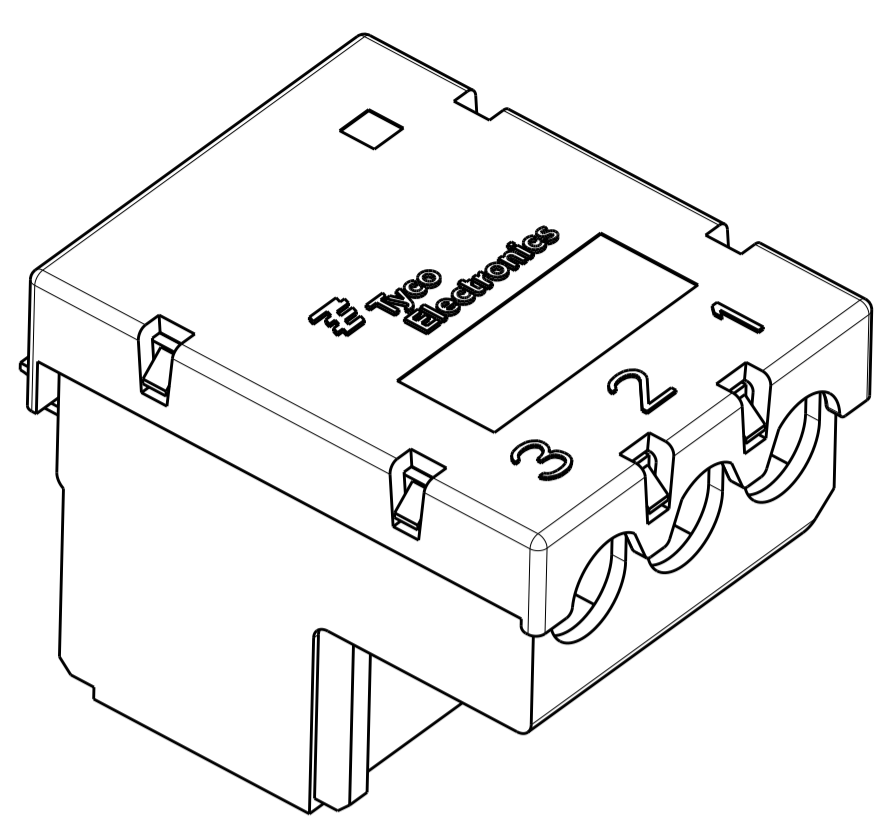
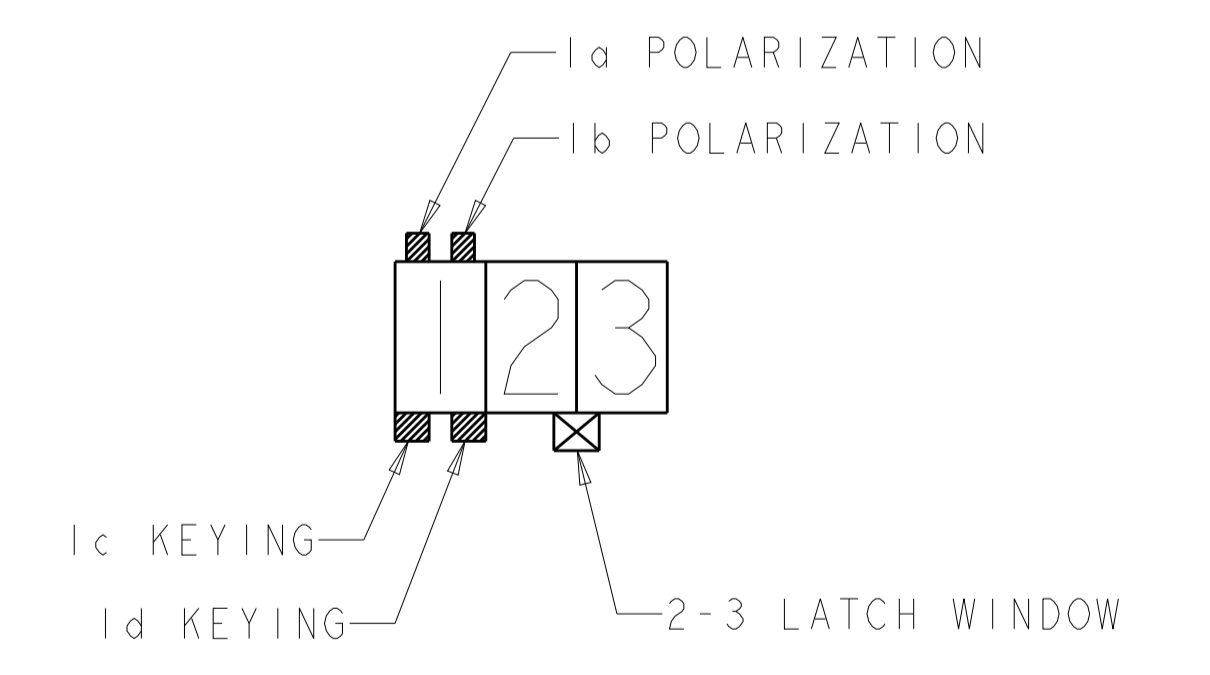
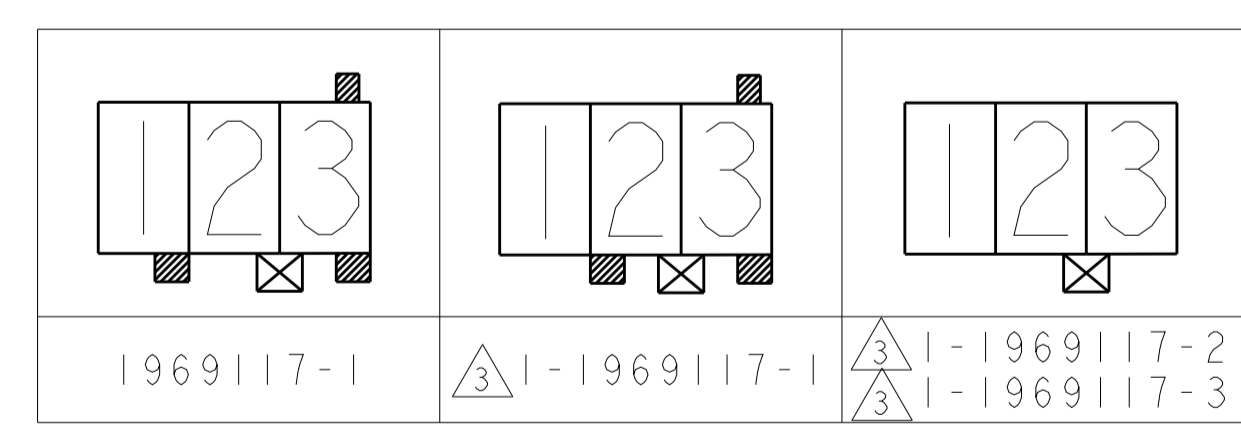
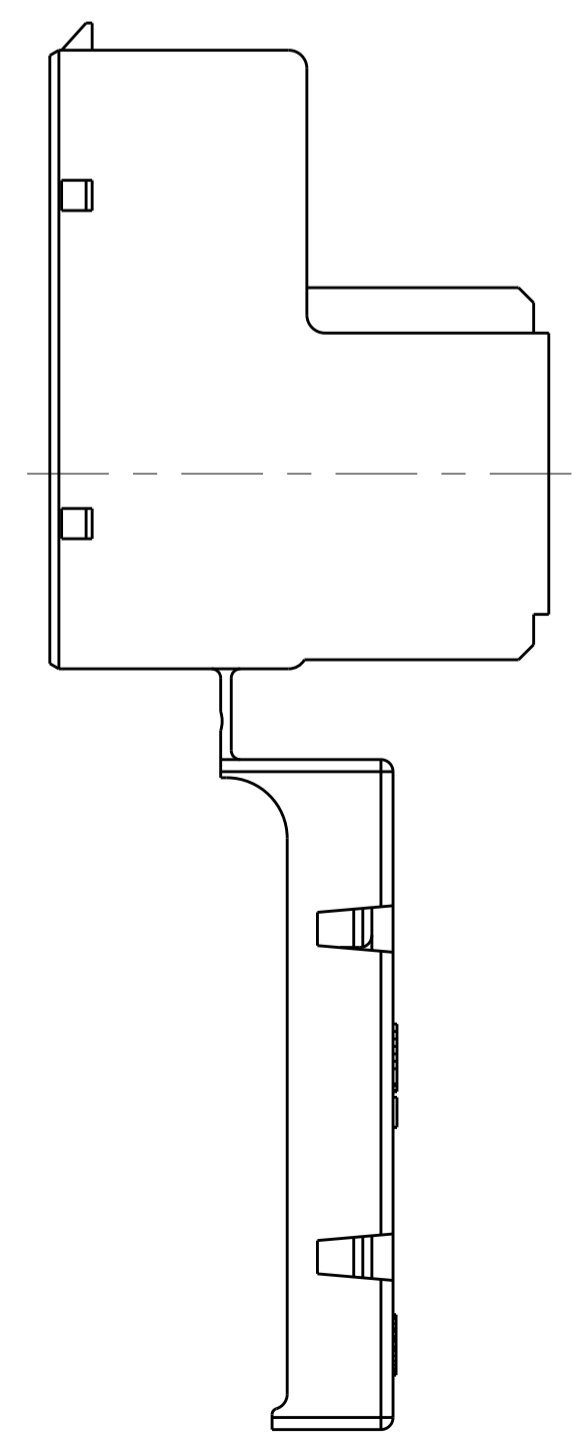
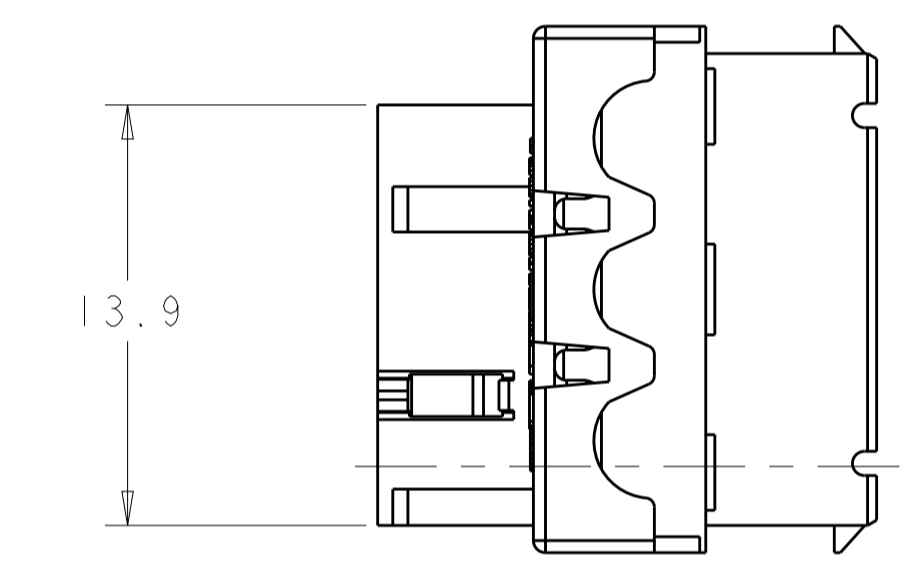
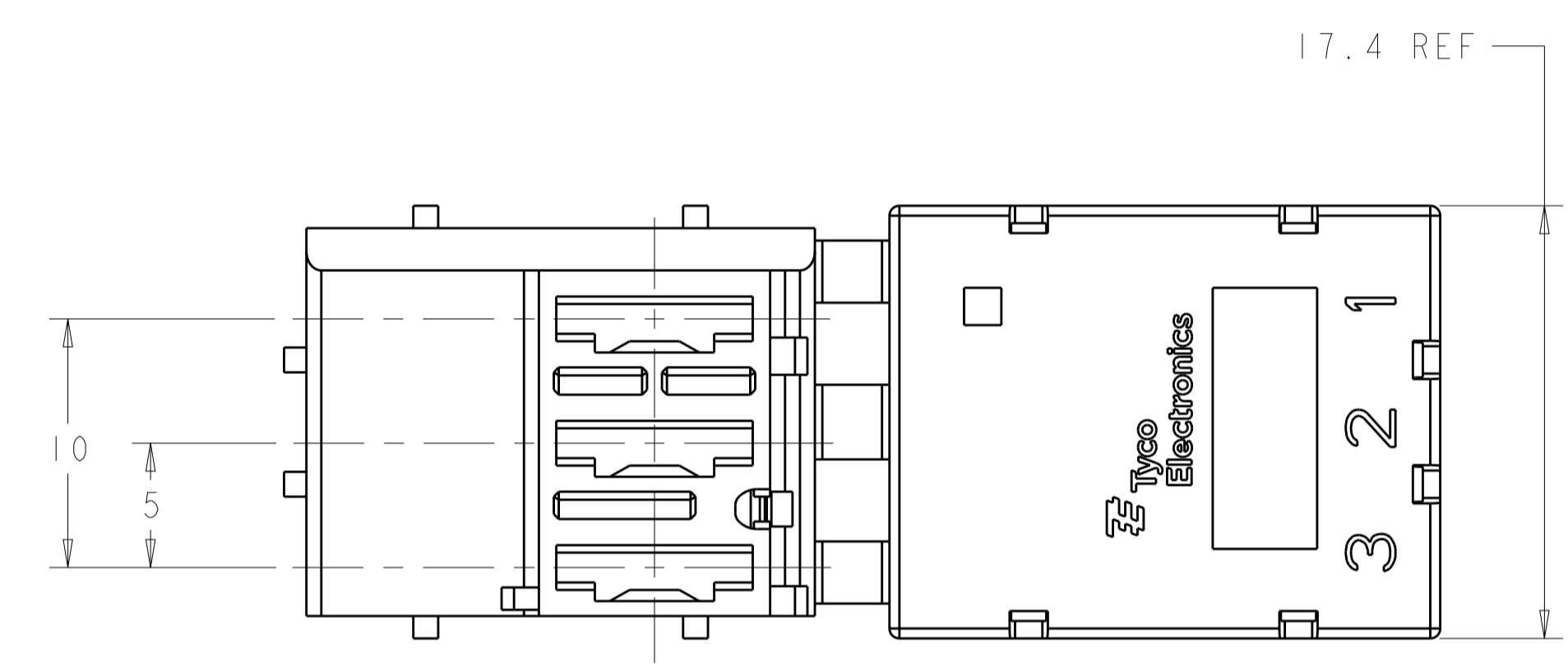
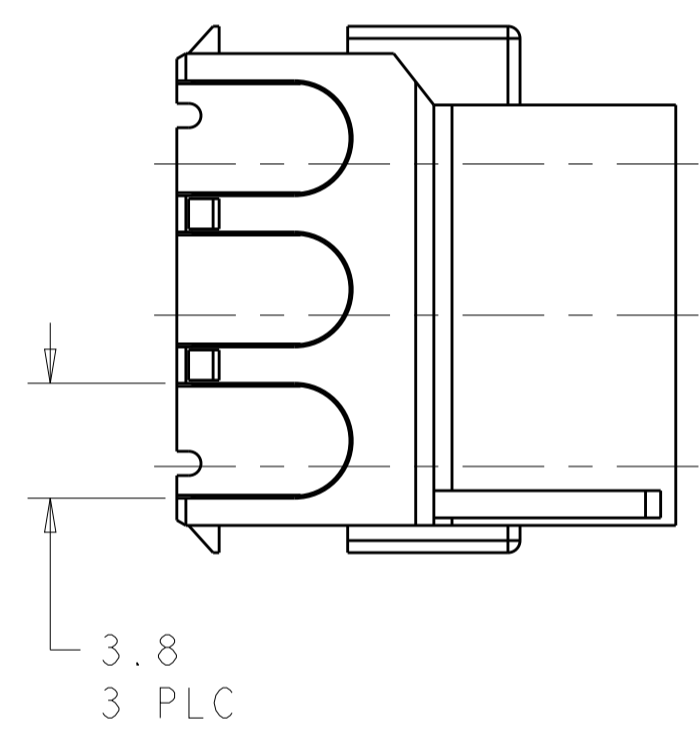
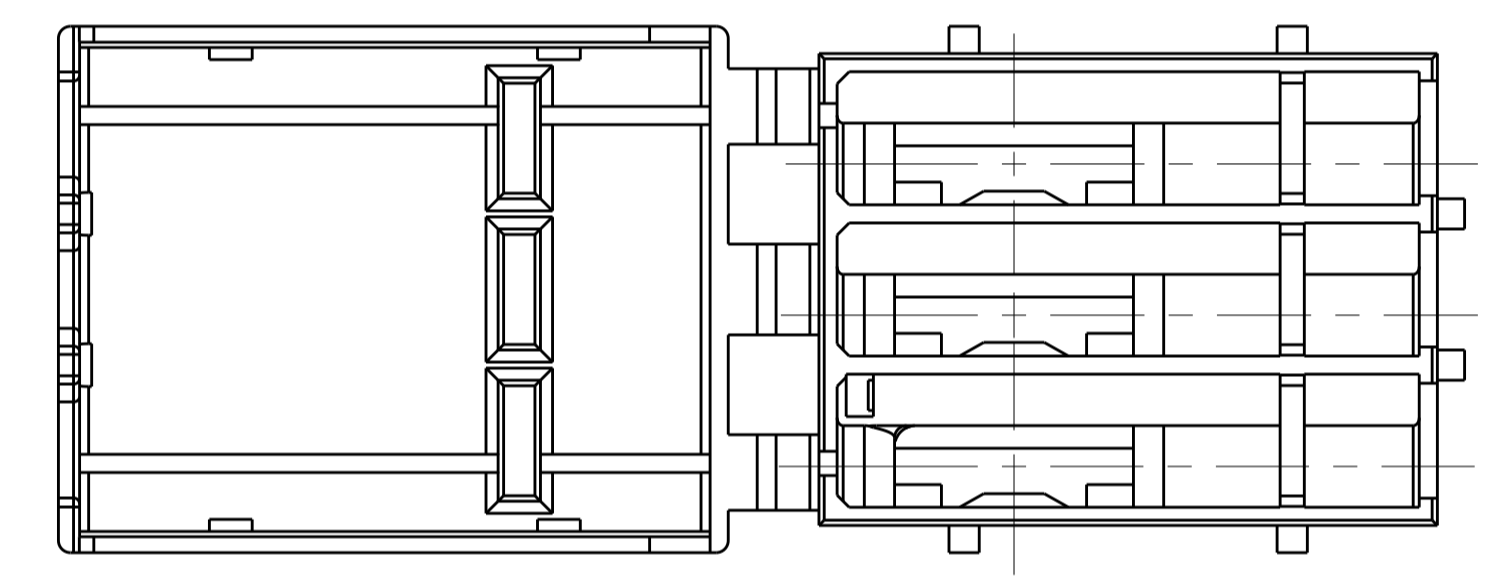


LOC		DIST		REVISIONS				
P	LTN	DESCRIPTION	DATE	DMN	APVD			
A3		REVISED PER ECR-09-008766	04MAY2009	HMR	RL			
A4		ECR-20-003533	10MAR2020	KD	FL			



- 1 CAVITIES ACCEPTS 6.3mm RIGHT ANGLE RECEPTACLES,
 - USE PART NUMBER 1544113-X FOR WIRE RANGE 0.35mm²-1.0mm² [#22-#17] AWG
 - USE [ART NUMBER 1544114-X FOR WIRE RANGE 1.4mm²-2.0mm² [#16-#14] AWG
- 2 THIS PRODUCT HAS NOT COMPLETED VALIDATION TESTING.
- 3 PRELIMINARY - NOT RELEASED FOR PRODUCTION
- 4 UL94-V0, GWEPT 750°C NO FLAME ACCORDING TO IEC-60335-1



PICTORIAL VIEW KEY

-	-	-	BLUE	3 4	1-1969117-3
-	-	-	YELLOW	3 4	1-1969117-2
-	2c, 3d	3b	NATURAL	3 4	1-1969117-1
-	1d, 3d	3b	NATURAL	2	1969117-1
RAST CONFIGURATION	KEYING FEATURE	POLARIZATION FEATURE	FINISH/COLOR	PART NUMBER	

DIMENSIONS: mm TOLERANCES UNLESS OTHERWISE SPECIFIED: 0 PLC ± 1 PLC ±0.13 2 PLC ± 3 PLC ± 4 PLC ± ANGLES ±1° FINISH SEE TABLE		DWG: M.S. FEHER 25SEP2007 CHK: R. LONDON 28JUN2007 APVD: R. LONDON 28JUN2007 NAME: HOUSING, RAST 5, RIGHT ANGLE POSITIVE LOCK 3 POSITION SIZE: A1 CAGE CODE: 1969117 DRAWING NO: 1969117-1 SCALE: 4:1 SHEET: 1 OF 1 REV: A4	
MATERIAL: NYLON		Tyco Electronics Harrisburg, PA 17105-3608 CUSTOMER DRAWING	