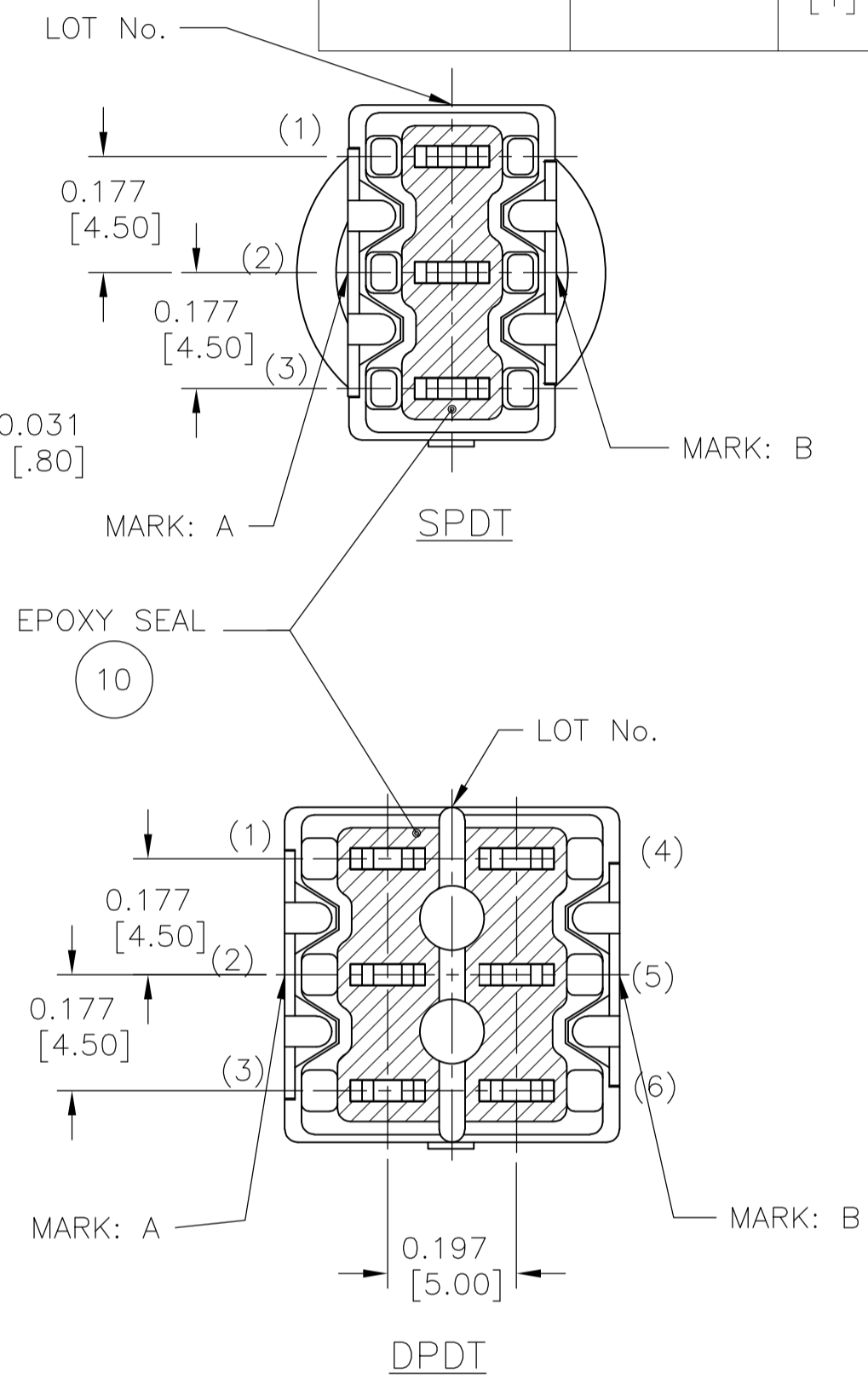
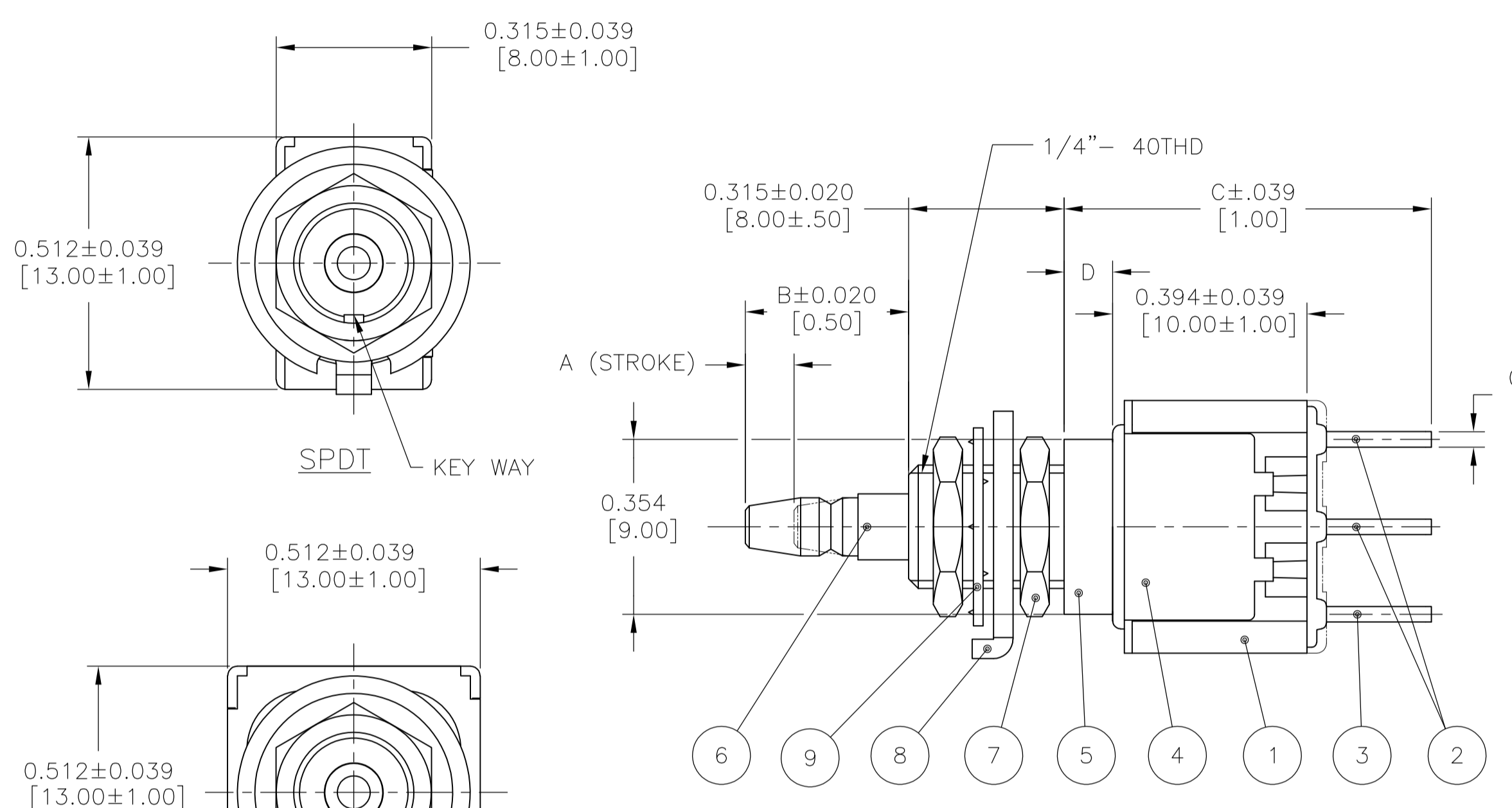


| | DIMENSION | OPERATING FORCE | PART NUMBER | TYPE | MARK | | ACTUATED |
|-----------|-----------|-----------------|-------------------------|------|------------------|---------------------------|--------------------|
| | | | | | MARK:A | MARK:B | |
| MOMENTARY | ON-ON | $\triangle 6$ | 1977738-1 MPS1004DPC | SPDT | MPS1004D ALCO | DC 60mA 30V ON ON C | 3-1 |
| MOMENTARY | ON-(ON) | $\triangle 8$ | 1977738-2 MPS1004FPC | | MPS1004F ALCO | DC 60mA 30V NO NC C | (3)-(1) |
| MOMENTARY | ON-ON | $\triangle 7$ | 1977738-3 MPS2004NPC | DPDT | MPS2004N ALCO | DC 60mA 30V ON ON C | 3-1 6-4 |
| MOMENTARY | ON-(ON) | $\triangle 9$ | 1977738-4 MPS2004RPC | | MPS2004R ALCO | DC 60mA 30V NO NC C | (3)-(1) (6)-(4) |

NOTE: TERMINALS 4,5,6 ARE FOUND ONLY ON DP VERSIONS (-3, -4)



SPECIFICATIONS:

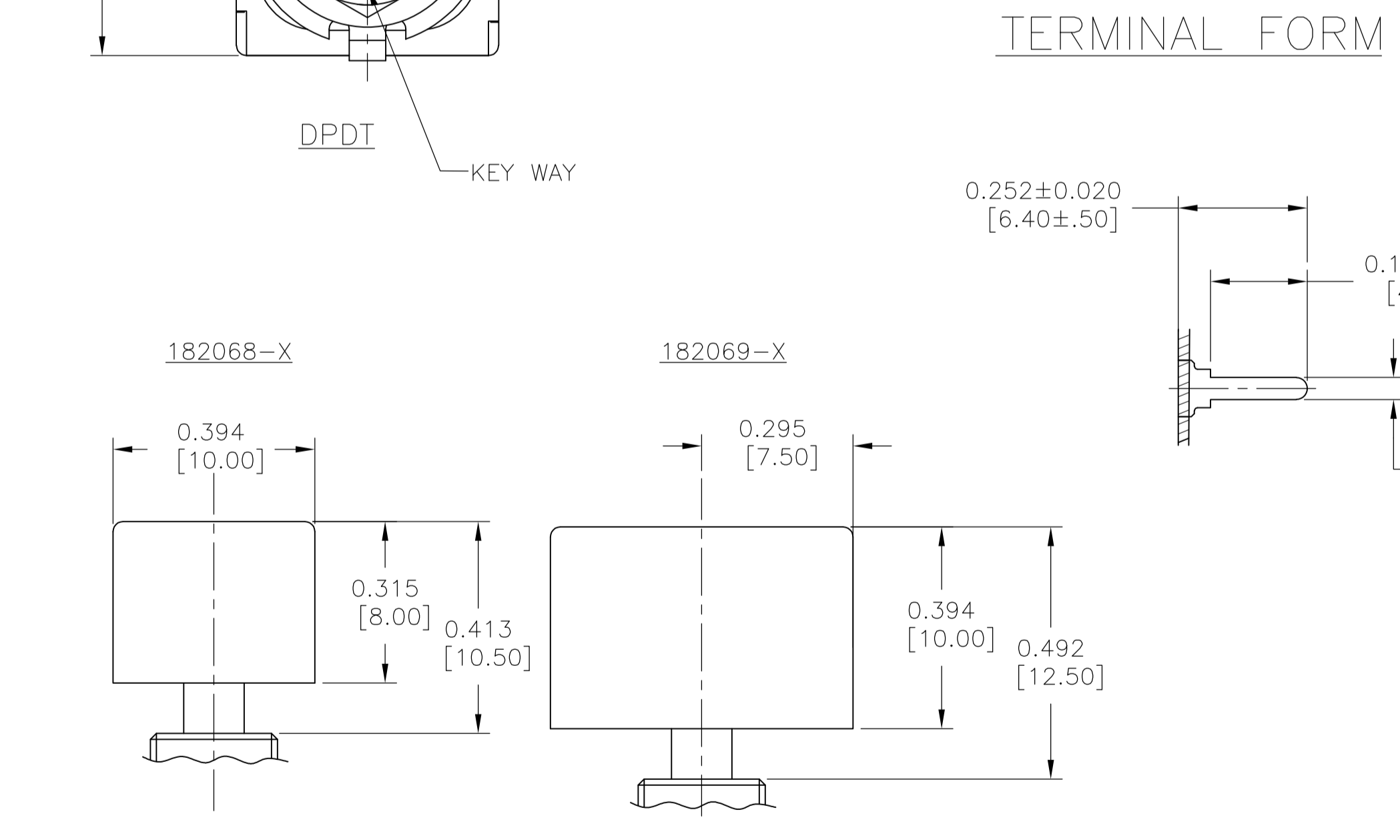
- RATING: MIN, 1µa 20mV DC; MAX, 60mA 30V DC (RESISTIVE LOAD)
- INITIAL CONTACT RESISTANCE: 20mΩ MAX. AT 5mA 0.2mV AC.
- INITIAL INSULATION RESISTANCE: 1,000MΩ MIN. AT 500V DC. (BETWEEN TERMINALS AND TERMINAL-GROUND)
- INITIAL DIELECTRIC STRENGTH: 1,000V AC FOR 1 MINUTE. (BETWEEN TERMINALS AND TERMINAL-GROUND)
- DURABILITY: 50,000 CYCLES

OPERATING FORCE:

- $\triangle 6$ 3.92±1.96N.(400±200gf)
- $\triangle 7$ 4.9±1.96N.(500±200gf)
- $\triangle 8$ 2.94±0.98N.(300±100gf)
- $\triangle 9$ 4.9±1.96N.(500±200gf)

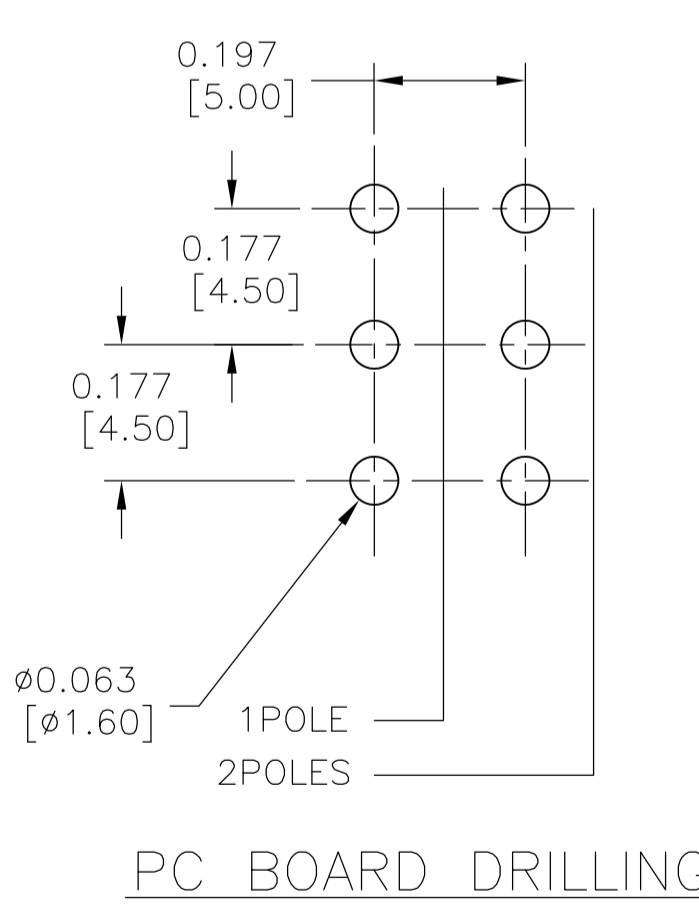
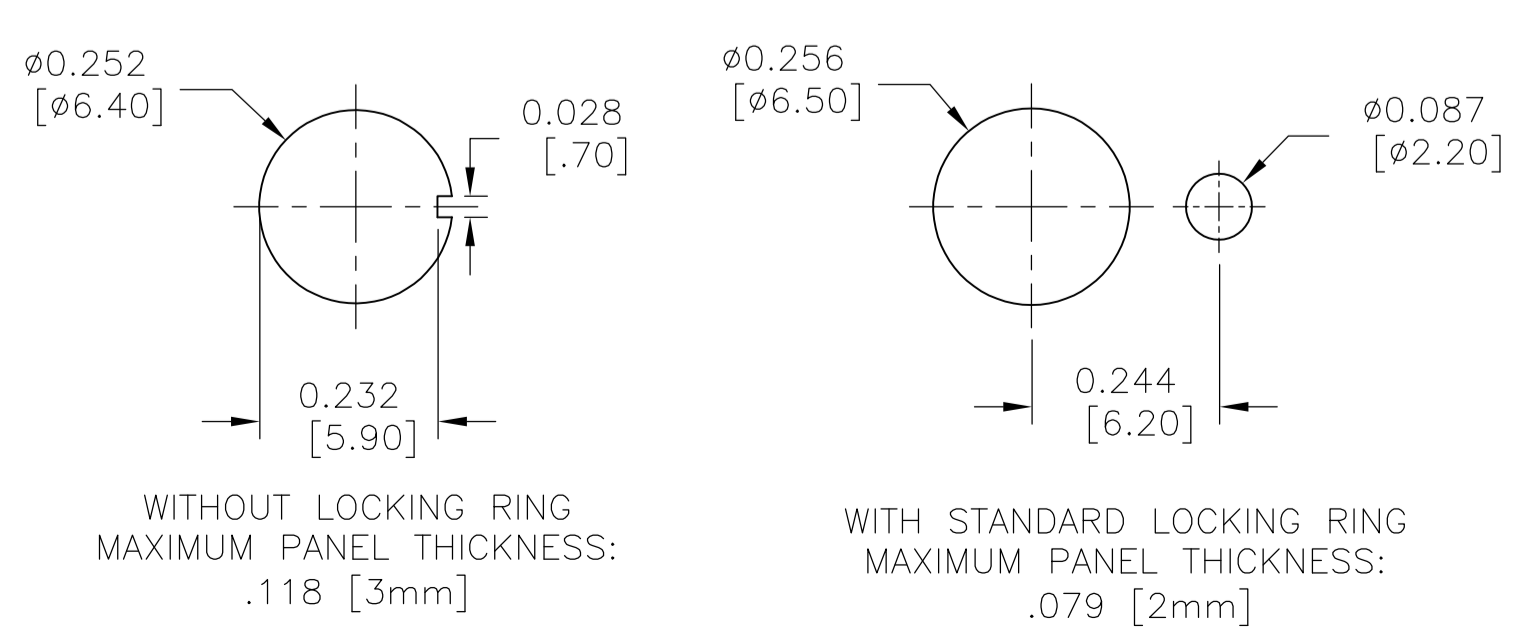
10 OPERATING TEMP: -20 ~ +85°C
STORAGE TEMP: -40 ~ +85°C

- ALL MATERIALS AND FINISHES SHALL COMPLY WITH EU DIRECTIVE 2002/95/EC OF 27JAN2003 (ROHS).
- LASER MARKING USED FOR MARKS.



BUTTON CAP
SOLD SEPARATELY
SEE DRAWINGS 1825068 (ø.394 [10 MM])
& 1825069 (ø.591 [15 MM])
FOR COLOR CHOICES

PANEL CUT-OUTS (REF)



| A/R | A/R | BLUE | - | EPOXY | 10 |
|-----|-----|----------------|-------------------|-----------------|----|
| 1 | 1 | ZINC PLATE | CARBON TOOL STEEL | TOOTH WASHER | 9 |
| 1 | 1 | ZINC PLATE | COLD ROLLED STEEL | LOCATING RING | 8 |
| 2 | 2 | NICKEL PLATE | BRASS | HEX NUT | 7 |
| 1 | 1 | NICKEL PLATE | BRASS | PLUNGER | 6 |
| 1 | 1 | - | BRASS | MOUNTING SLEEVE | 5 |
| 1 | 1 | - | STAINLESS STEEL | FRAME | 4 |
| 2 | 1 | GOLD PLATE | BRASS | COMMON TERMINAL | 3 |
| 4 | 2 | GOLD PLATE | BRASS | FIXED CONTACT | 2 |
| 1 | 1 | (BLUE) | EPOXY RESIN | CASE | 1 |
| 2 | 1 | FINISH (COLOR) | MATERIALS | PARTS | NO |

THIS DRAWING IS A CONTROLLED DOCUMENT. DIN RAGHAVENDRA 28JAN11
CHK EPPLEY NAZ 28JAN11
APVD EPPLEY NAZ 28JAN11
NAME EPPLEY NAZ
PRODUCT SPEC
APPLICATION SPEC
WEIGHT
CUSTOMER DRAWING

SCALE 4:1 SHEET 1 OF 1 REV B2

STE TE Connectivity
MPS SERIES PUSHBUTTON, DRY CIRCUIT
MPS1004 (SPDT) & MPS2004 (DPDT)
PCB TERMINATION

SIZE A1 CASE CODE 00779 DRAWING NO. 1977738