

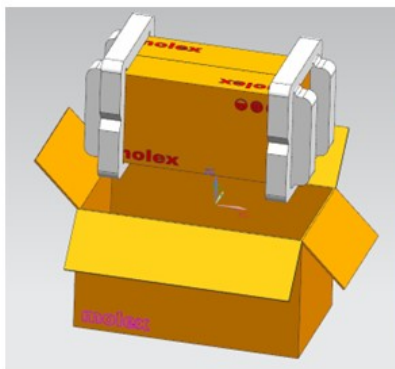
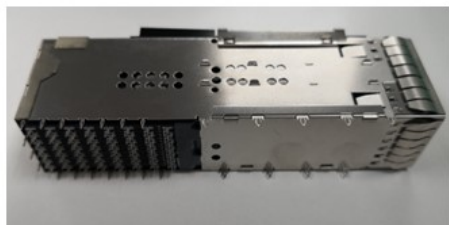


Product Change Notification

Date Issued :	September 27, 2022	PCN Number :	512622
Reason for Change :	Packaging Method/Quantity Changing		
Description of Change :	This notification is to inform you about Molex will remove inner box and PE Endcap foam.it is only package improvement, SPQ&MOQ are same ,no any change to product dimension, function and fit.		
Reason for Short Notice :	Special Request		
Assessment of Change :	Drop Test		
Planned Implementation Date :	December 30, 2022		
Sample Availability Date:	October 22, 2022		
Internal Molex Qualification Date :	October 22, 2022		
Last date to request Samples by Customer :	November 30, 2022		

Before Picture

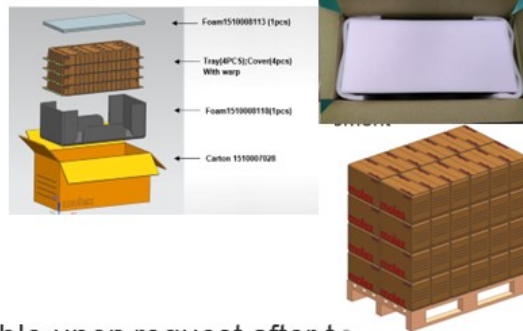
■ DDQ 2X1 204058 Connectors



After Picture

Overview

- We will remove inner box and PE Endcap foam
- Product Impact
 - No impact to form, fit, or function
- Part Number Impact
 - See attached impacted parts list
- Qualification Reports and samples available upon request after the date shown above



RELEASED

You may address inquires regarding this PCN by clicking on the below link
mailto:pcn_coordinator@molex.com?subject=PCN_Notification:512622
 or contact your Local Sales Engineer.

Note: While responding, please retain " PCN Notification : **PCN Notification: 512622** " in the e-mail Subject line for faster response.

Molex, LLC
 2222 Wellington Court
 Lisle, IL 60532
 TEL (800) 786-6539
www.molex.com

PCN No Part List

512622 [2040586101](#)

512622 [2040586102](#)

512622 [2040586103](#)

512622 [2040586106](#)

512622 [2040588101](#)

512622 [2040588102](#)

512622 [2040588111](#)

512622 [2040588112](#)

512622 [2040588113](#)