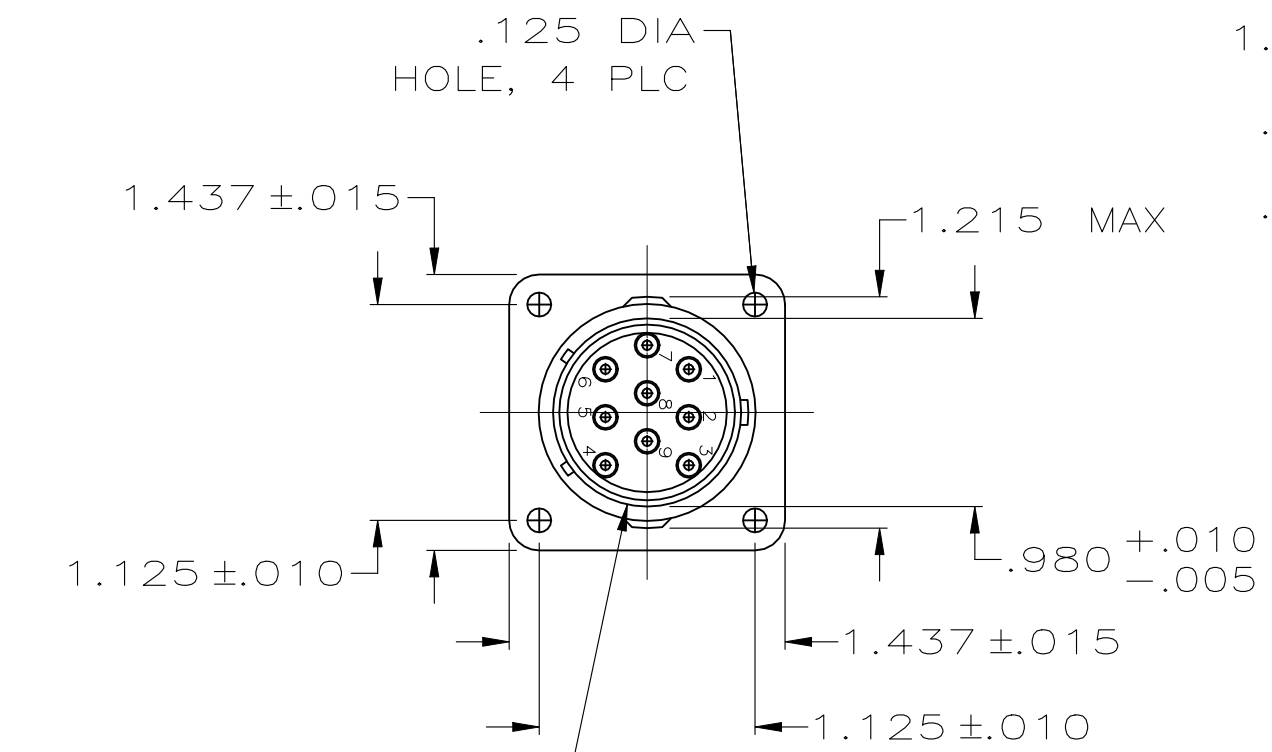
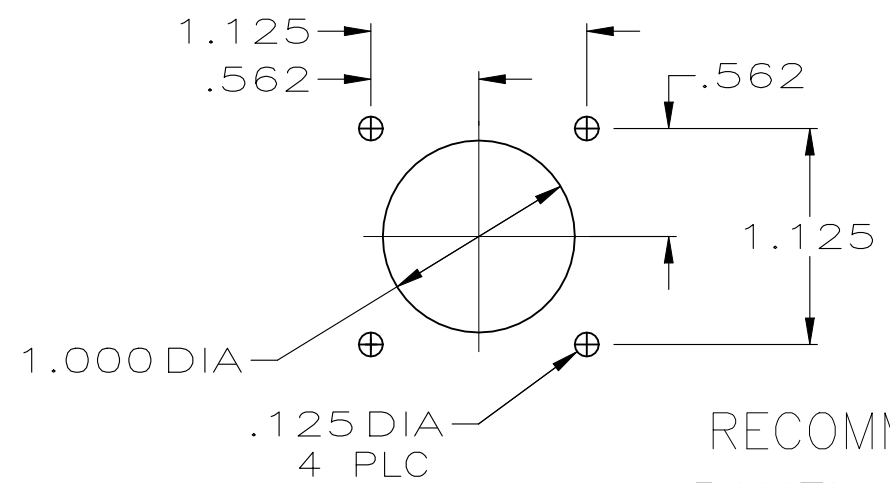
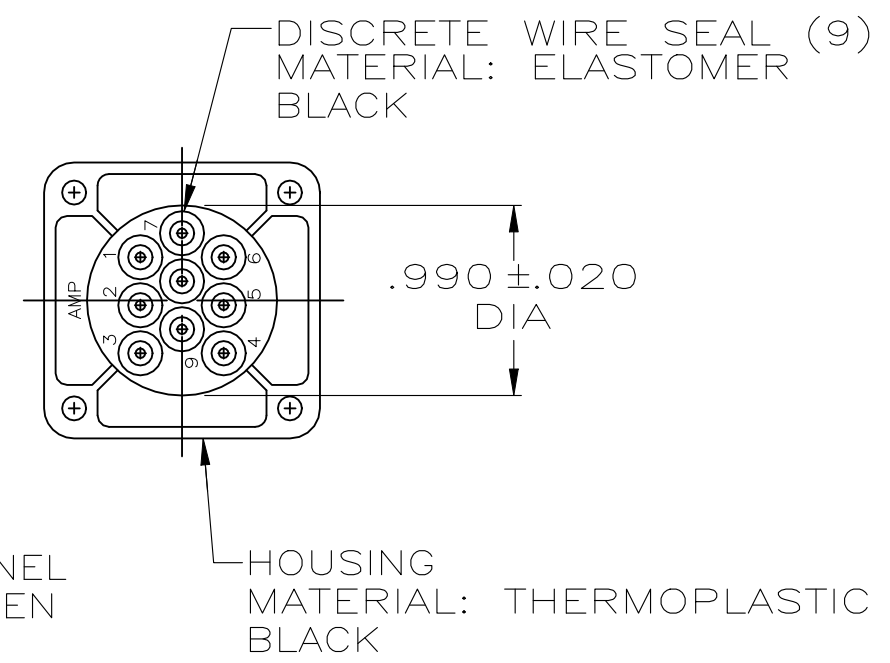
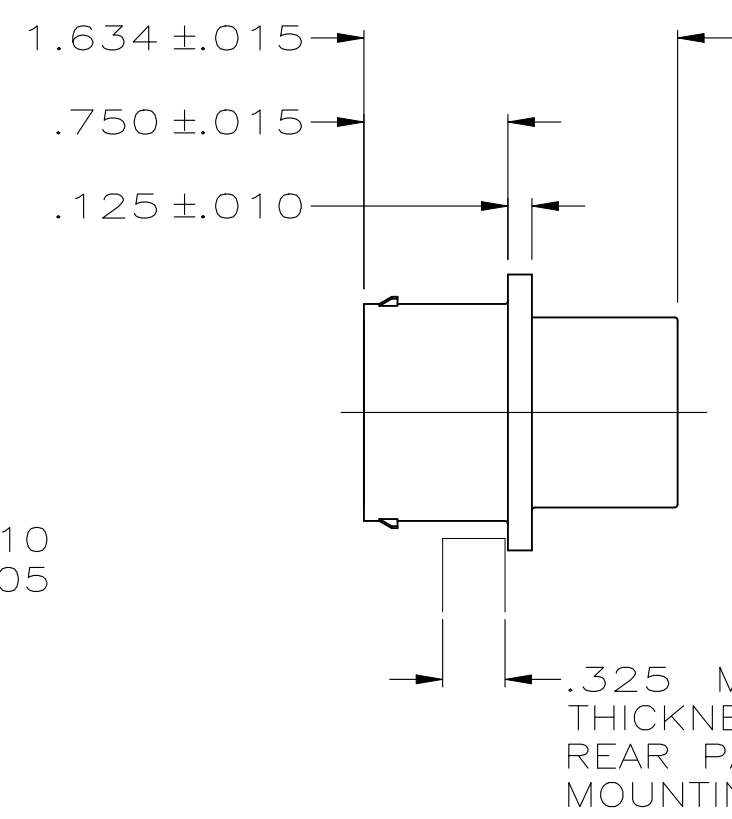


REVISIONS					
P	LTR	DESCRIPTION	DATE	DWN	APVD
	F	PER PCN E-20-018081	11MAR2021	SCK	



PERIPHERAL SEAL MATERIAL: ELASTOMER BLACK



RECOMMENDED PANEL CUTOUT

208546-1
PART NUMBER

1. WIRE INSULATION SEALING RANGE .070-.115 DIA.
2. MATES WITH 208530-1.
3. TOTAL LENGTH OF MATED CONNECTORS IS LESS THAN 2.50 INCHES.
4. THIN MEMBRANE PERMISSIBLE ON SMALL DIAMETER OF WIRE SEALS.

THIS DRAWING IS A CONTROLLED DOCUMENT.		DWN J GALLUCCI BG 8-10-90	STE TE Connectivity				
		CHK J.McCLINTON 1-4-91					
DIMENSIONS: INCHES		APVD 1-18-91 K.BEAVER	NAME ECONOSEAL, SQUARE FLANGE RECEPTACLE, SHELL SIZE 17, 9 POSN, PIN CONTACTS				
TOLERANCES UNLESS OTHERWISE SPECIFIED:		PRODUCT SPEC 1-29-91 J.FULPONI					
MATERIAL SEE CALLOUT		FINISH -	APPLICATION SPEC -	SIZE A3	CAGE CODE 00779	DRAWING NO C-208546	RESTRICTED TO -
CUSTOMER DRAWING			WEIGHT 0.000000	SCALE 1:1	SHEET 1 OF 1	REV F	