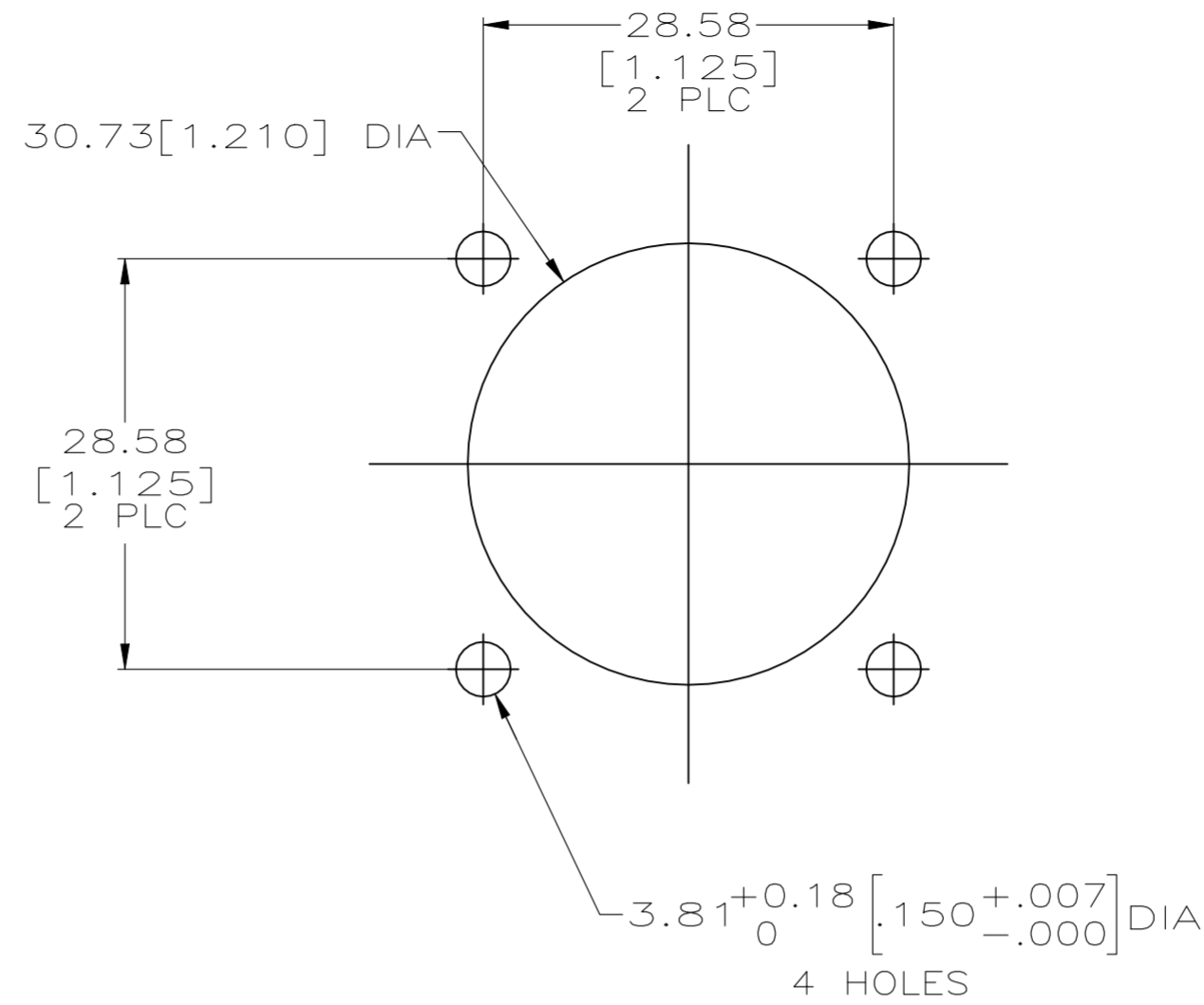
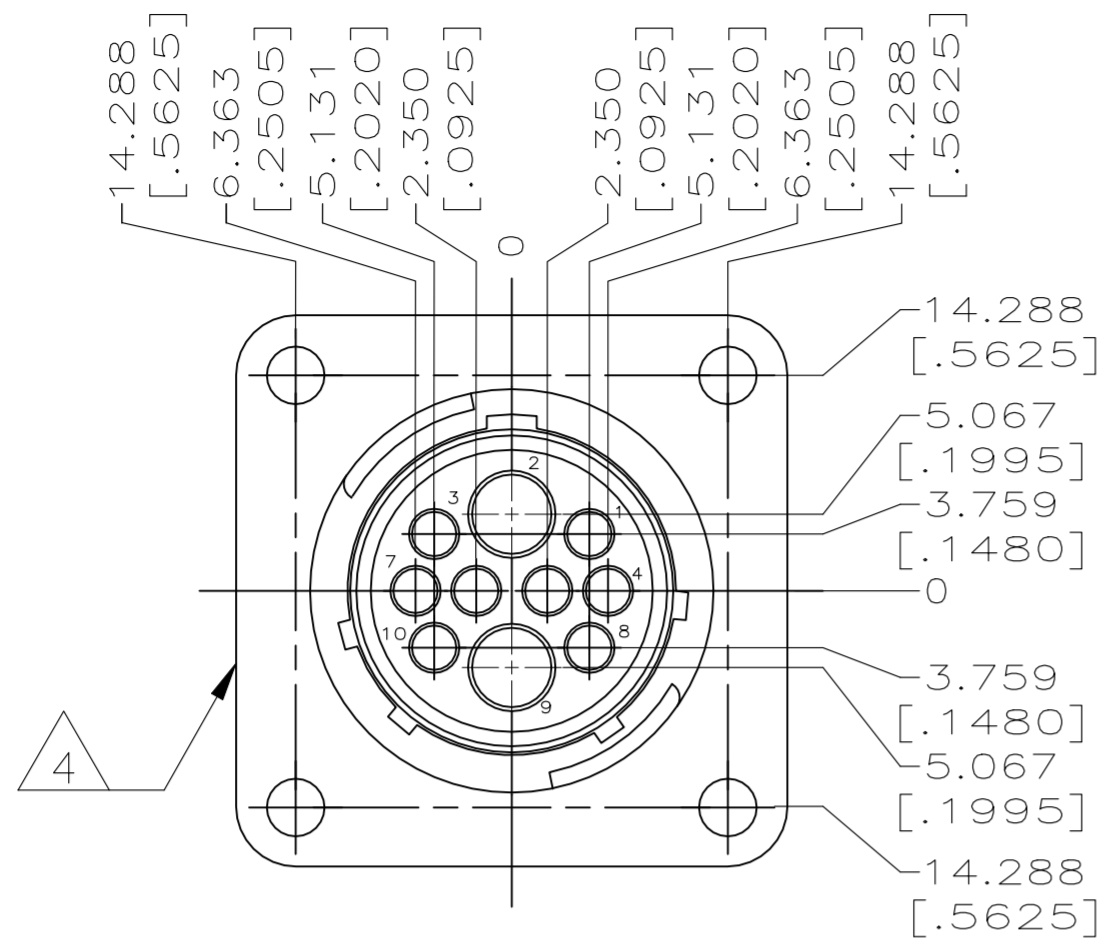


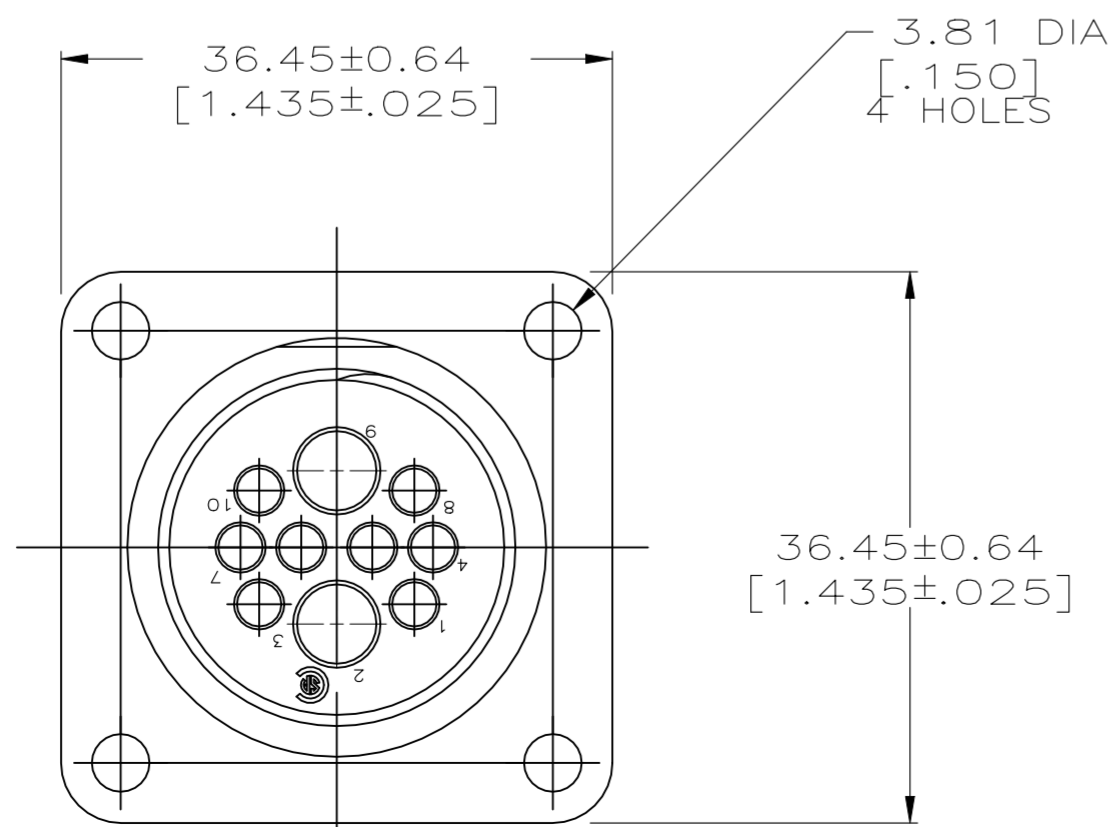
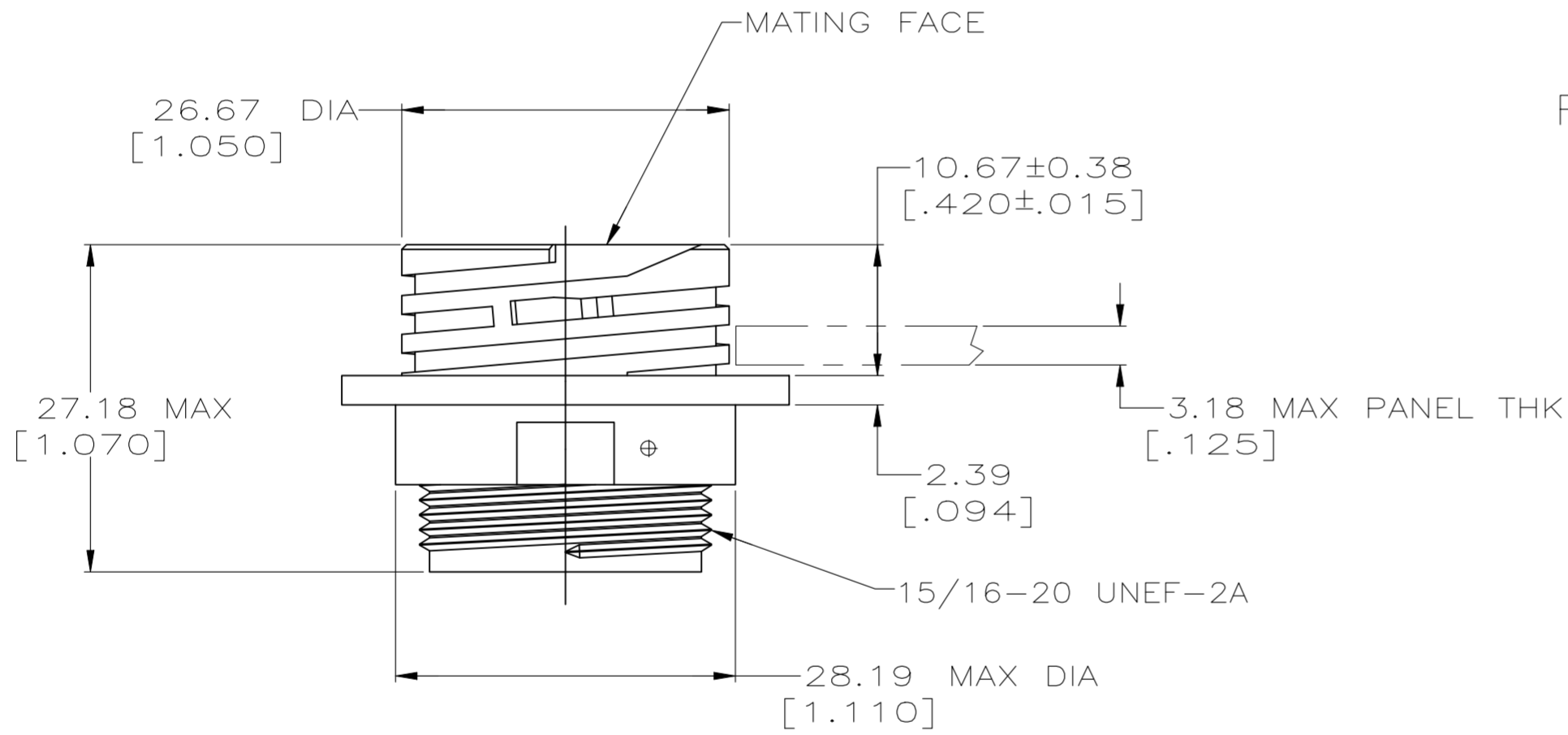
| REVISIONS | | | | |
|-----------|-----|---------------|-----------|-------|
| P | LTR | DESCRIPTION | DATE | APVD |
| B | | ECO-21-006943 | 13OCT2021 | RK MZ |



RECOMMENDED PANEL CUTOUT

1. THIS CONNECTOR WILL ACCEPT TWO TYPE I, SIZE 12 SOCKET CONTACTS AND EIGHT MULTIMATE SOCKET CONTACTS.
2. TYPE I CONTACTS MATE FIRST, BREAK LAST.
3. MAX WIRE INSULATION USED WITH THIS RECEPTACLE IS 2.67[.105] DIA FOR MULTIMATE SOCKET CONTACTS.

4 TE LOGO AND PART NUMBER LOCATED ON ANY FLANGE EDGE



213128-1

PART NUMBER

| | | | | |
|--|----------------------|------------------------|---------------------------------|-----------------|
| THIS DRAWING IS A CONTROLLED DOCUMENT. | | DWN C.OBERMAN 05/18/95 | | |
| DIMENSIONS: mm[INCHES] | | CHK R.STONE 5-23-95 | | |
| TOLERANCES UNLESS OTHERWISE SPECIFIED: | | APVD A.FRANTUM 5-25-95 | NAME | |
| 0 PLC ± - | 1 PLC ± - | PRODUCT SPEC | RECEPTACLE, ARR 17-10M, REVERSE | |
| 2 PLC ± 0.25 [.010] | 3 PLC ± 0.25 [.0100] | APPLICATION SPEC | SEX, SERIES 4, CLASS A, | |
| 4 PLC ± - | ANGLES ± - | | SQUARE FLANGE, CPC | |
| MATERIAL NYLON, BLACK | FINISH - | WEIGHT - | SIZE A2 | CAGE CODE 00779 |
| CUSTOMER DRAWING | | SCALE 2:1 | DRAWING NO C=213128 | RESTRICTED TO - |
| | | SHEET 1 of 1 | REV B | |