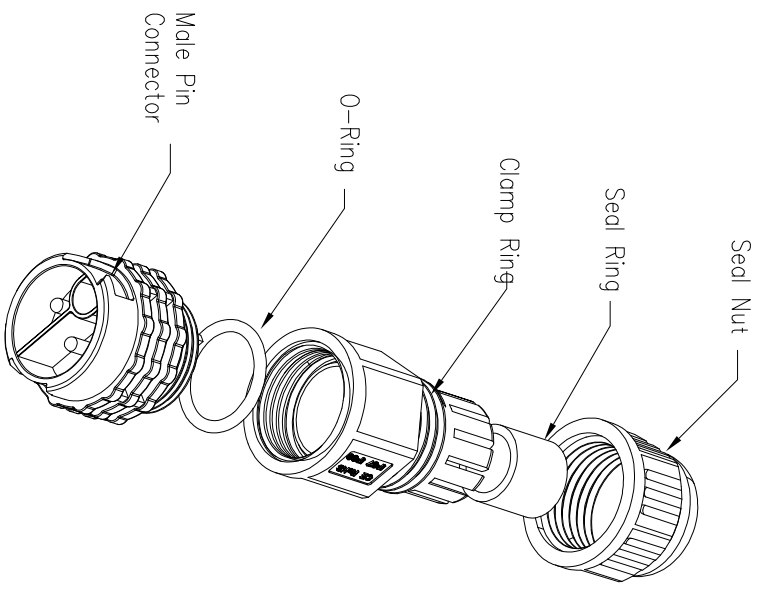
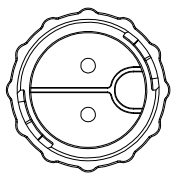
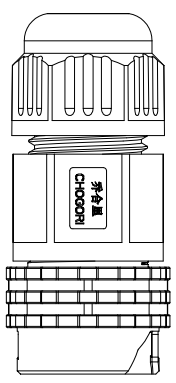
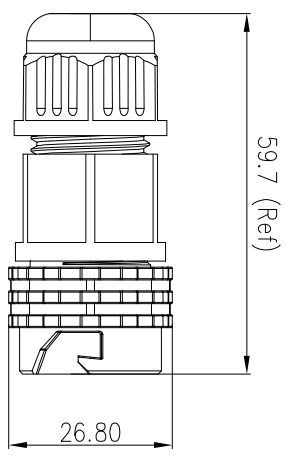
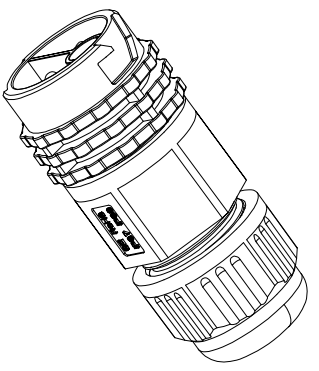


REV.	EN. NO.	DESCRIPTION	SIGN	DATE
C1	N/A	INITIAL DRAWING	Liu	2019/08/13



24XXX331-XX Cable Range OD
 01 OD: $\phi 3.5\text{mm} \sim \phi 6.8\text{mm}$
 02 OD: $\phi 6.8\text{mm} \sim \phi 10.5\text{mm}$
 Pin Number

2 Pin	3 Pin
P/N: 24002331-02	P/N: 24003331-02
Pin Assignments Front View	



- Specification:
- 1.Operation Temperature: $-45^{\circ}\text{C} \sim 105^{\circ}\text{C}$.
 - 2.Insulation Resistance: $100\text{M}\Omega$ at DC500V.
 - 3.Contact Resistance: $<10\text{m}\Omega$.
 - 4.Withstand Voltage: 2000V AC
 - 5.Operating Current: 20A
 - 6.Operating Voltage: AC 300V
 - 7.Waterproof Rate: IP67 (Mated)
 - 8.Seal Nut: Nylon, Black
 - 9.Seal Ring: Silicon, Black.
 - 10.Clamp Ring: Nylon, Black
 - 11.O-Ring: Silicon, Red
 - 12.Male Pin: Copper Alloy, Gold Plated
 - 13.Connector: Nylon+GF, Black
 - 14.RoHS Compliant.
 - 15.Ul Compliant.
 - 16.Mating Cap: 806-00068-00

UNIT: mm	DESCRIPTION	PART NO	DRAWN BY	DATE
TOLERANCE X XX XXX ANGLES	Large Series Push Lock Female Plug With Male Pin	24XXX331-XX	Liu	2019/08/13
± 0.25 ± 0.15 ± 0.05 $\pm 1^{\circ}$	SCALE: 1:1	DWG NO	CHECKED BY	DATE
	REV: C1	CUSTOMER	Mo	2019/08/13
	SIZE: A4		APPROVED BY	DATE
	* : Inspection Item		Panson	2019/08/13

CHOGORI