

NOTES:

1. MATERIALS AND FINISHES:

- HEX NUT - BRASS, GOLD PLATING
- LOCKWASHER - BRASS, GOLD PLATING
- FERRULE - COPPER, GOLD PLATING
- BODY - BRASS, GOLD PLATING
- CONTACT - BERYLLIUM COPPER, GOLD PLATING
- INSULATOR - PTFE, NATURAL

2. ELECTRICAL:

- A. IMPEDANCE: 50 OHM, NOMINAL
- B. FREQUENCY RANGE: 0-6 GHz
- C. D.W.V: 500 VRMS, MIN.

3. MECHANICAL:

- A. DURABILITY: 500 CYCLES MIN.
- B. TEMPERATURE RANGE: -65°C TO +165°C

4. CRIMPED FERRULE HEX CRIMP SIZE .128"

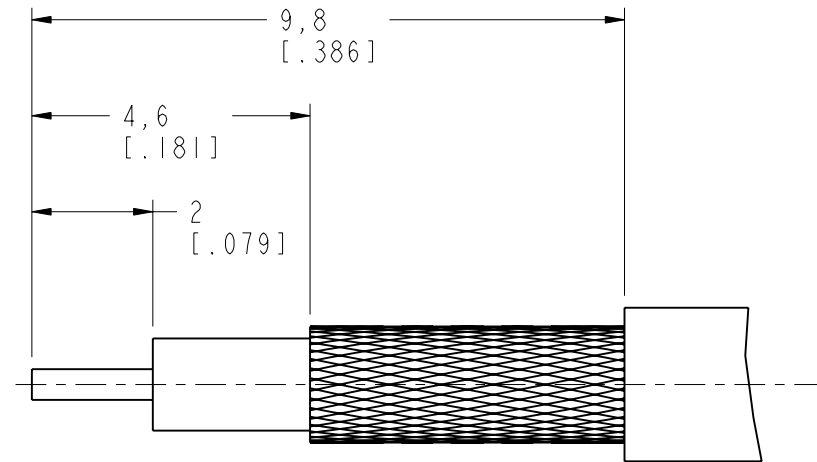
5. CONTACT PIN TO SOLDER

6. MAX. PANEL THICKNESS=3.3mm

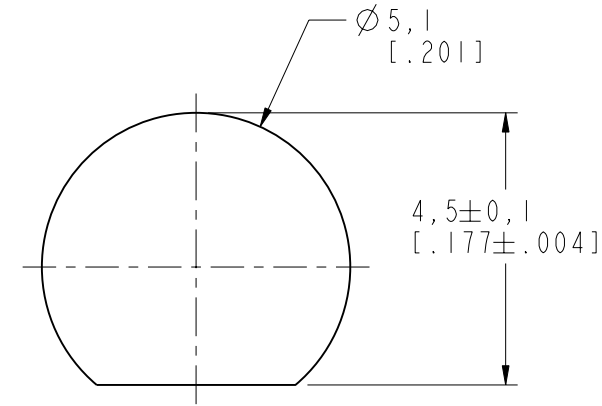
THIRD ANGLE PROJ.

REVISIONS

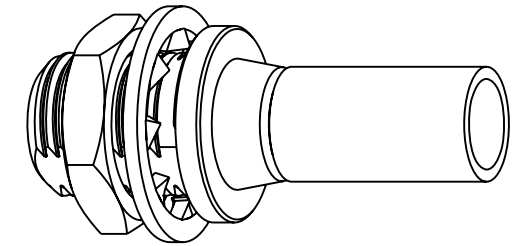
REV	DESCRIPTION	DATE	ECO	APPR
NC	INITIAL RELEASE	24-May-05	-----	GRS
A	UPDATE DRAWING FORMAT	19-Apr-06	-----	GRS
D	SYNC, REDRAWN IN THE PRO/E\N/A	17-Jul-17	04421	SH



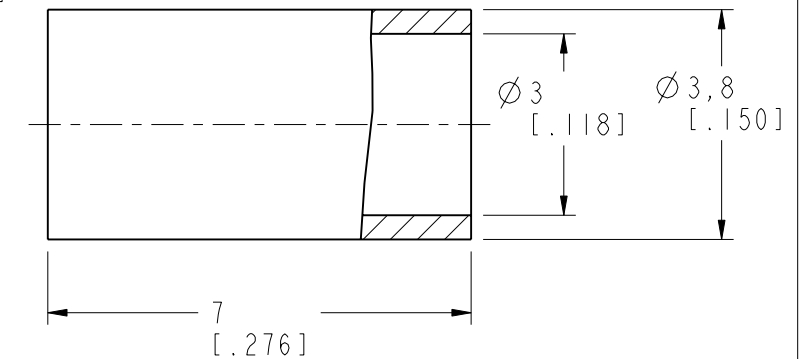
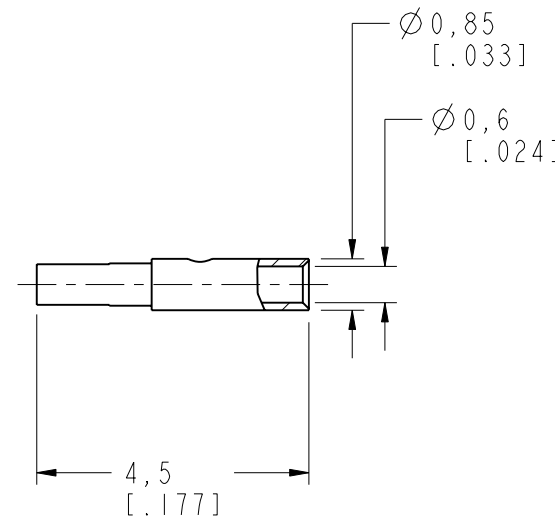
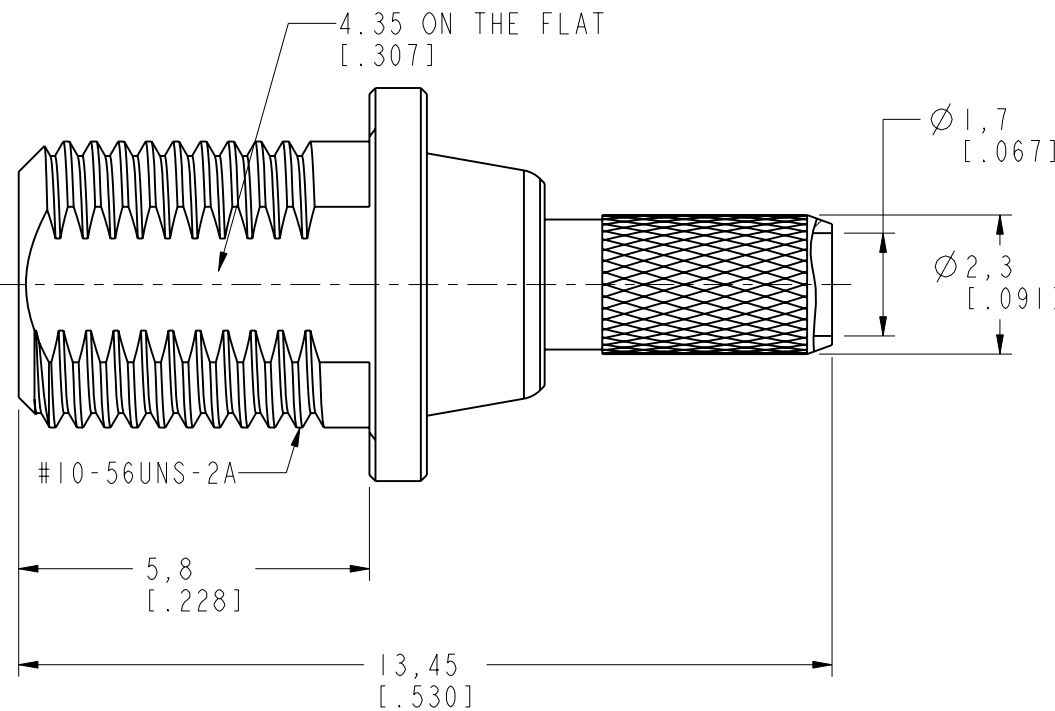
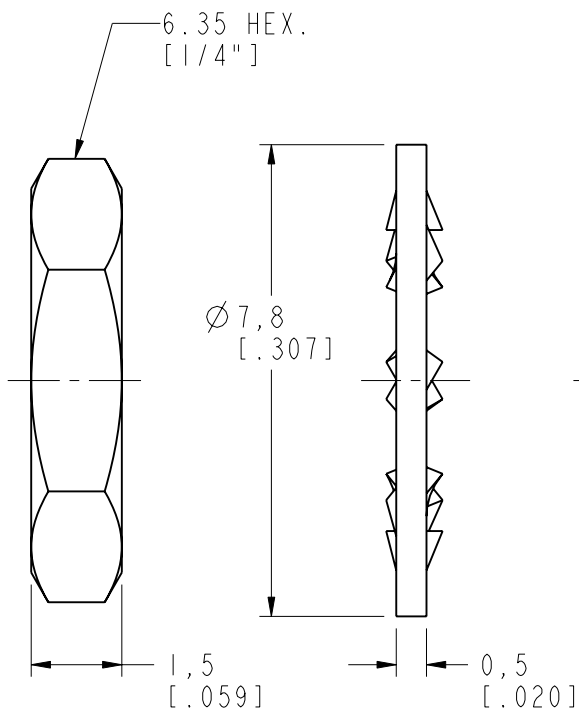
RECOMMENDED CABLE STRIPPING DIM'S



RECOMMENDED MOUNTING HOLE



SCALE 4.000



CUSTOMER OUTLINE DRAWING

ALL OTHER SHEETS ARE FOR INTERNAL USE ONLY

UNLESS OTHERWISE SPECIFIED, DIMENSIONS ARE IN METRIC AND TOLERANCES ARE:
 < 0.5mm ± 0.05mm 0.5 - 6mm ± 0.1mm 6 - 30mm ± 0.2mm 30 - 120mm ± 0.3mm ANGLES ± 1°

NOTICE - These drawings, specifications, or other data (1) are, and remain the property of Amphenol corp. (2) must be returned upon request; and (3) are confidential and not to be disclosed to any person other than those to whom they are given by Amphenol Corp. the furnishing of these drawings, specifications, or other data by Amphenol Corp., or to any other person to anyone for any purpose is not to be regarded by implication or otherwise in any manner licensing, granting rights to permitting such holder or any other person to manufacture, use or sell any product, process or design, patented or otherwise, that may in any way be related to or disclosed by said drawings, specifications, or other data.

MATERIAL	DRAWN M. ZHANG	DATE 17-Jul-17
REFERENCE AND CONFIGURATION LEVEL:	ENGINEER S. HSIEH	DATE 26-Feb-14
FINISH	APPROVED S. HSIEH	DATE 17-Jul-17
	CAD FILE	

TITLE MMCX BULKHEAD CRIMP JACK (FOR RG-174/U, 316/U 188/U CABLE)
SCALE: 8.0:1.0
SHEET 2 OF 2
DWG SIZE B
REV D

Amphenol RF
www.amphenolrf.com
DRAWING NO. MMCX6421A1-3GT30G-316U-50
ITEM NO. 096421AAA36GE5F
PART NO. 262121