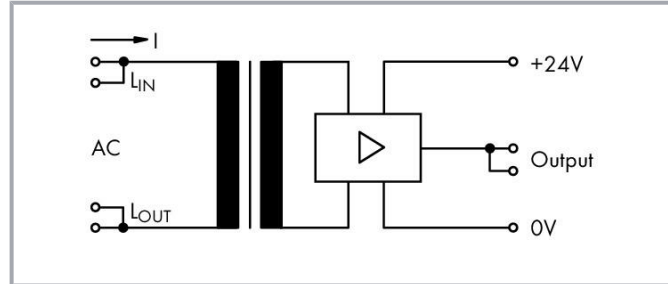


Data sheet | Item number: 286-661

Current flow monitoring module; AC currents; light gray

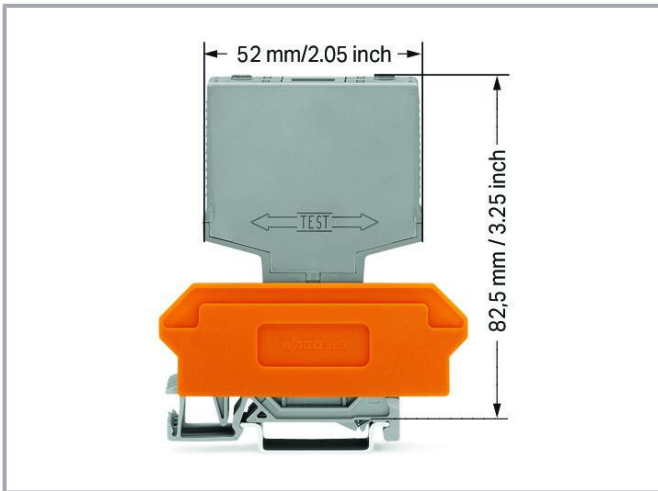
[www.wago.com/286-661](http://www.wago.com/286-661)



Subject to changes. Please also observe the further product documentation!

WAGO GmbH & Co. KG  
Hansastr. 27  
32423 Minden  
Phone: +49571 887-0 | Fax: +49571 887-169  
Email: [info.de@wago.com](mailto:info.de@wago.com) | Web: [www.wago.com](http://www.wago.com)

Do you have any questions about our products?  
We are always happy to take your call at +49 (571) 887-44222.



## Data

### Electrical data

Nominal operating voltage	DC 24 V
Current consumption at nominal supply voltage	≤ 41 mA
Voltage drop at input	13 ... 460 mV
Measurement span (max.)	80 mA ... 6 AAC (5 ... 250 VAC)
Response time	40 ms
Limiting continuous current	0.05 A
Switching power (resistive) max.	DC 1.2 W
Status indicator	Green LED; Output: 0 V (operation; current > 80 mA) Red LED; Output: 24 VDC (current flow interruption; current < 80 mA)

### Safety and protection

Rated voltage	250 V
Rated surge voltage	4 kV
Pollution degree	2
Dielectric strength, input/output (AC, 1 min)	2 kV <sub>rms</sub>

### Physical data

Height from upper-edge of DIN-rail	82.5 mm / 3.25 inches
Depth	52 mm / 2.047 inches

Subject to changes. Please also observe the further product documentation!



## Mechanical Data

Mounting type	Pluggable module for receptacle terminal blocks
Housing design	Plug for carrier terminal blocks

## Material Data

Color	light gray
Fire load	4.266 MJ
Weight	46.6 g

## Environmental requirements

Ambient temperature (operation)	-25 ... +40 °C
Relative humidity	5 ... 95 % (no condensation permissible)
Operating altitude (max.)	2000 m

## Commercial data

Product Group	6 (INTERFACE ELECTRONIC)
eCl@ss 10.0	27-37-18-02
eCl@ss 9.0	27-37-18-02
ETIM 8.0	EC001440
ETIM 7.0	EC001440
PU (SPU)	10 (1) pcs
Packaging type	Box
Country of origin	DE
GTIN	4017332157476
Customs tariff number	85364900990

## Environmental Product Compliance

CAS-No.	7439-92-1 79-94-7
REACH Candidate List Substance	2,2',6,6'-tetrabromo-4,4'-isopropylidenediphenol Lead
RoHS Compliance Status	Compliant,With Exemption
RoHS Exemption	7(a) 7(c)-I 7(c)-II
SCIP notification number (Austria)	12e65cbe-cb4a-4d55-bfc9-560d50e16394

Subject to changes. Please also observe the further product documentation!


WAGO GmbH & Co. KG  
 Hansastr. 27  
 32423 Minden  
 Phone: +49571 887-0 | Fax: +49571 887-169  
 Email: [info.de@wago.com](mailto:info.de@wago.com) | Web: [www.wago.com](http://www.wago.com)

Do you have any questions about our products?  
 We are always happy to take your call at +49 (571) 887-44222.



SCIP notification number (Belgium)	22734e31-8f12-43e5-a027-f20cabd96b66
SCIP notification number (Bulgaria)	e954e395-27e8-45a2-8eb1-4408e2571324
SCIP notification number (Czech Republic)	5efcc77d-7691-4053-8eae-ad8fcef5d9b6
SCIP notification number (Denmark)	7ffd275e-6612-42f5-b3fc-20e2f1bd423d
SCIP notification number (Finland)	1d86358a-211e-416d-9aee-0de3ce0320f7
SCIP notification number (France)	8daaa4eb-4fd9-4792-9158-6357e21c404e
SCIP notification number (Germany)	f329001a-8720-467e-ac13-e58c5584feffa
SCIP notification number (Hungary)	a05ae252-b7ad-4ea9-97a5-9bc26bc46bf3
SCIP notification number (Italy)	c6890112-a1d5-470a-aed9-57f794cd50c5
SCIP notification number (Netherlands)	435a1988-4f9e-42ae-a852-2b8bd4a3d507
SCIP notification number (Poland)	3a53c835-f491-4ead-8e87-bbdcf41c32f1
SCIP notification number (Romania)	2203c846-997f-47b0-89ab-b6c4fb0840c8
SCIP notification number (Sweden)	6ed2be51-a1d5-4d12-bd40-910d0cb4c92a

## Approvals / Certificates

### General approvals


Logo	Approval	Additional Approval Text	Certificate name
	EAC Brjansker Zertifizierungsstelle	TP TC 020/2011	EAC_Certificate_RU_C-DE.AM02.B.00115_19

### Declarations of conformity and manufacturer's declarations

Logo	Approval	Additional Approval Text	Certificate name
	EU-Declaration of Conformity WAGO GmbH & Co. KG	-	-
	UK-Declaration of Conformity WAGO GmbH & Co. KG	-	-

## Optional accessories

### Marking accessories

Marker		
	Item no.: 209-701 WSB marking card; as card; not stretchable; plain; snap-on type; white	<a href="http://www.wago.com/209-701">www.wago.com/209-701</a>

Subject to changes. Please also observe the further product documentation!



## Downloads

### Documentation

#### Bid Text

286-661 X81 - Datei	2019 Feb 19	xml 3.9 kB	Download
------------------------	-------------	---------------	----------

286-661 doc - Datei	2015 Apr 2	doc 25.1 kB	Download
------------------------	------------	----------------	----------

#### Instruction Leaflet

		pdf 1.3 MB	Download
--	--	---------------	----------

#### Additional Information

Disposal and Recycling Electrical and electronic equipment, Batteries, Packaging	V 1.1.0 2022 Aug 18	pdf 2.2 MB	Download
---	------------------------	---------------	----------

## CAD/CAE-Data

### CAE data

WSCAD Universe 286-661		URL	Download
------------------------	--	-----	----------

## Environmental Product Compliance

### Compliance Search

Environmental Product Compliance 286-661 Current flow monitoring module; AC currents; light gray		URL	Download
---	--	-----	----------

## Installation Notes

Subject to changes. Please also observe the further product documentation!