



Output coupler Optocoupler 1 NO, Transistor, 24 V DC Output max. 30 V DC, 5 A with M-0-A switch short circuit-proof screw terminal Overall width 6.2 mm Thermal current 5A

|   |   |
|---|---|
| <b>product brand name</b>   | SIRIUS  |
| <b>product category</b>   | SIRIUS 3RQ3 coupling relays in slim design              |
| <b>product designation</b>  | Coupling relays with semiconductor output (not plug-in) |
| <b>design of the product</b>  | Output coupling link                                    |
| <b>product type designation</b>   | 3RQ3  |
| <b>General technical data</b>   |   |
| <b>display version LED</b>  | Yes   |
| <b>product component</b>  |   |
| • relay output  | No  |
| • semi-conductor output   | Yes   |
| <b>consumed active power</b>  | 0.3 W   |
| insulation voltage for overvoltage category III according to IEC 60664 with degree of pollution 3 rated value | 50 V  |
| <b>surge voltage resistance rated value</b>   | 2.5 kV  |
| <b>protection class IP</b>  | IP20  |
| <b>shock resistance</b>   |   |
| • acc. to IEC 60068-2-27  | sinusoidal half-wave 15g / 11 ms                        |
| <b>vibration resistance</b>   |   |
| • acc. to IEC 60068-2-6   | 6 ... 150 Hz: 2 g                                       |
| <b>switching frequency</b>  | 100 Hz  |
| <b>thermal current</b>  | 5 A   |
| <b>reference code acc. to IEC 81346-2</b>   | K   |
| <b>Control circuit/ Control</b>   |   |
| <b>control supply voltage at DC</b>   |   |
| • rated value   | 11 ... 30 V   |
| <b>operating range factor control supply voltage rated value at DC</b>  |   |
| • initial value   | 1   |
| • full-scale value  | 1   |
| <b>switch ON delay time</b>   |   |
| • at DC maximum   | 0.2 ms  |
| <b>OFF delay time</b>   | 0.3 ms  |
| <b>product component plug-in socket</b>   | No  |
| <b>Auxiliary circuit</b>  |   |
| <b>type of switching contact</b>  | NO contact  |
| <b>number of NO contacts for auxiliary contacts</b>   | 1   |
| <b>Main circuit</b>   |   |
| <b>type of voltage</b>  | DC  |

| Inputs/ Outputs  |  |
|--|--|
| property of the output short-circuit proof   | Yes  |
| Outputs  |  |
| capacity of the semiconductor output at DC   | 5 mA ... 5 A   |
| Electromagnetic compatibility  |  |
| EMC emitted interference acc. to IEC 60947-1   | ambience A (industrial sector)   |
| <b>EMC immunity acc. to IEC 60947-1</b>  | corresponds to degree of severity 3  |
| <b>conducted interference</b>  |  |
| <ul style="list-style-type: none"> <li>• due to burst acc. to IEC 61000-4-4</li> <li>• due to conductor-earth surge acc. to IEC 61000-4-5</li> <li>• due to conductor-conductor surge acc. to IEC 61000-4-5</li> </ul>   | 2 kV<br>2 kV<br>1 kV   |
| <b>field-based interference acc. to IEC 61000-4-3</b>  | 10 V/m   |
| <b>electrostatic discharge acc. to IEC 61000-4-2</b>   | 6 kV contact discharge / 8 kV air discharge  |
| Display  |  |
| display version as status display by LED   | LED green  |
| Connections/ Terminals   |  |
| product function removable terminal  | No   |
| type of electrical connection for auxiliary and control circuit  | screw-type terminals   |
| wire length  |  |
| <ul style="list-style-type: none"> <li>• at DC maximum</li> </ul>  | 1 000 m  |
| <b>type of connectable conductor cross-sections</b>  |  |
| <ul style="list-style-type: none"> <li>• solid</li> <li>• finely stranded with core end processing</li> <li>• at AWG cables solid</li> </ul>   | 1x (0.25 ... 2.5 mm <sup>2</sup> )<br>1x (0.25 ... 1.5 mm <sup>2</sup> )<br>1 x (20 ... 14)                                  |
| <ul style="list-style-type: none"> <li>• connectable conductor cross-section solid</li> <li>• connectable conductor cross-section finely stranded with core end processing</li> </ul>  | 0.25 ... 2.5 mm <sup>2</sup><br>0.25 ... 1.5 mm <sup>2</sup>   |
| <ul style="list-style-type: none"> <li>• AWG number as coded connectable conductor cross section solid</li> </ul>  | 20 ... 14  |
| <ul style="list-style-type: none"> <li>• tightening torque with screw-type terminals</li> </ul>  | 0.5 ... 0.6 N·m  |
| Installation/ mounting/ dimensions   |  |
| <b>mounting position</b>   | any  |
| <b>fastening method</b>  | snap-on mounting   |
| <b>height</b>  | 93 mm  |
| <b>width</b>   | 6.2 mm   |
| <b>depth</b>   | 75 mm  |
| <b>required spacing</b>  |  |
| <ul style="list-style-type: none"> <li>• with side-by-side mounting               <ul style="list-style-type: none"> <li>— forwards</li> <li>— backwards</li> <li>— upwards</li> <li>— downwards</li> <li>— at the side</li> </ul> </li> <li>• for grounded parts               <ul style="list-style-type: none"> <li>— forwards</li> <li>— backwards</li> <li>— upwards</li> <li>— at the side</li> <li>— downwards</li> </ul> </li> <li>• for live parts               <ul style="list-style-type: none"> <li>— forwards</li> <li>— backwards</li> <li>— upwards</li> <li>— downwards</li> <li>— at the side</li> </ul> </li> </ul> | 0 mm<br>0 mm<br>0 mm<br>0 mm<br>0 mm<br><br>0 mm<br>0 mm<br>0 mm<br>0 mm<br>0 mm<br><br>0 mm<br>0 mm<br>0 mm<br>0 mm<br>0 mm |
| Ambient conditions   |  |

|  |  |
|--|--|
| installation altitude at height above sea level maximum  | 2 000 m  |
| <ul style="list-style-type: none"> <li>• ambient temperature during operation</li> <li>• ambient temperature during storage</li> <li>• ambient temperature during transport</li> </ul> | -25 ... +60 °C<br>-40 ... +85 °C<br>-40 ... +85 °C |
| relative humidity during operation   | 10 ... 95 %  |

### Certificates/ approvals

|                          |     |                           |
|--------------------------|-----|---------------------------|
| General Product Approval | EMC | Declaration of Conformity |
|--------------------------|-----|---------------------------|



|                           |                   |       |
|---------------------------|-------------------|-------|
| Declaration of Conformity | Marine / Shipping | other |
|---------------------------|-------------------|-------|

[Miscellaneous](#)



[Confirmation](#)

### Further information

Information- and Downloadcenter (Catalogs, Brochures,...)

<https://www.siemens.com/ic10>

Industry Mall (Online ordering system)

<https://mall.industry.siemens.com/mall/en/en/Catalog/product?mlfb=3RQ3065-1SM30>

Cax online generator

<http://support.automation.siemens.com/WW/CAXorder/default.aspx?lang=en&mlfb=3RQ3065-1SM30>

Service&Support (Manuals, Certificates, Characteristics, FAQs,...)

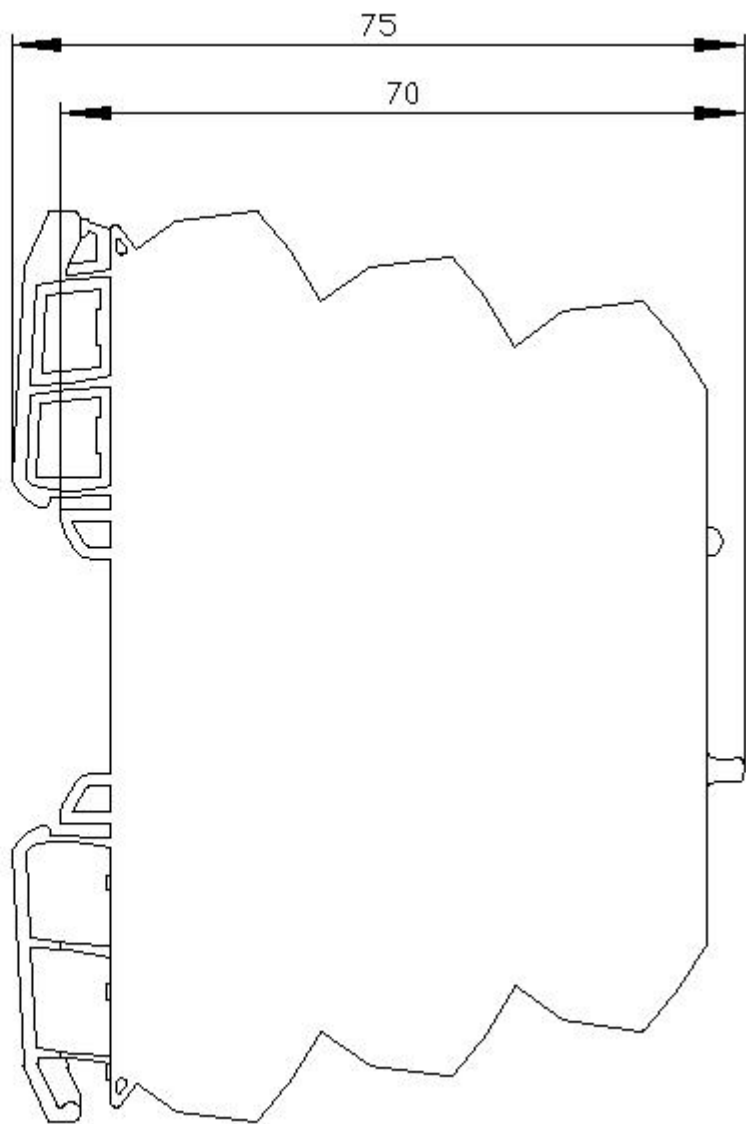
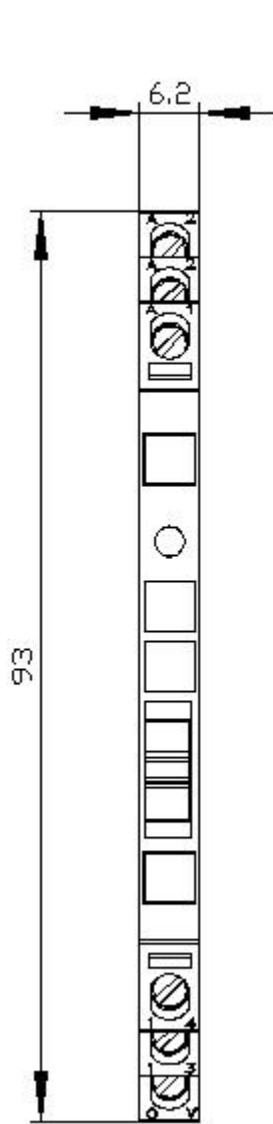
<https://support.industry.siemens.com/cs/ww/en/ps/3RQ3065-1SM30>

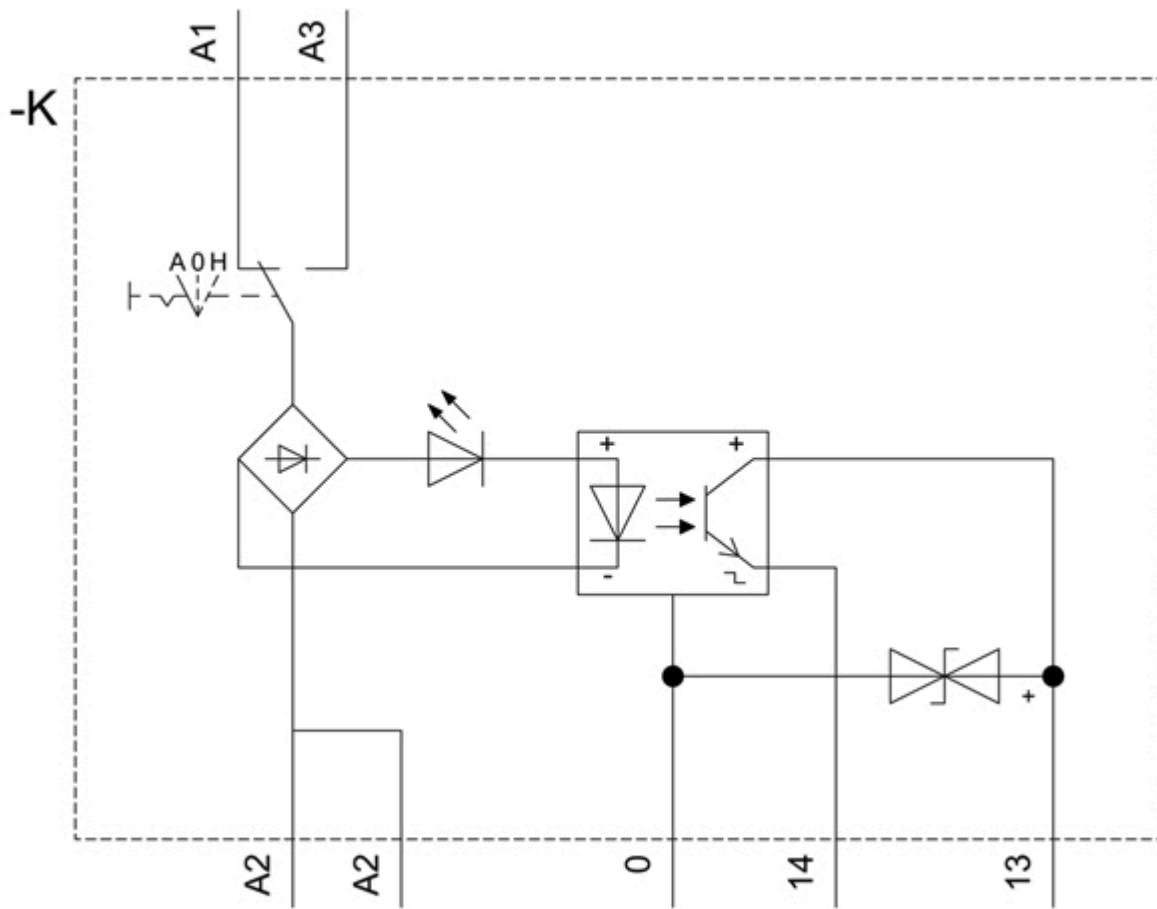
Image database (product images, 2D dimension drawings, 3D models, device circuit diagrams, EPLAN macros, ...)

[http://www.automation.siemens.com/bilddb/cax\\_de.aspx?mlfb=3RQ3065-1SM30&lang=en](http://www.automation.siemens.com/bilddb/cax_de.aspx?mlfb=3RQ3065-1SM30&lang=en)

Characteristic: Derating

<https://support.industry.siemens.com/cs/ww/en/ps/3RQ3065-1SM30/manual>





last modified:

8/11/2020 