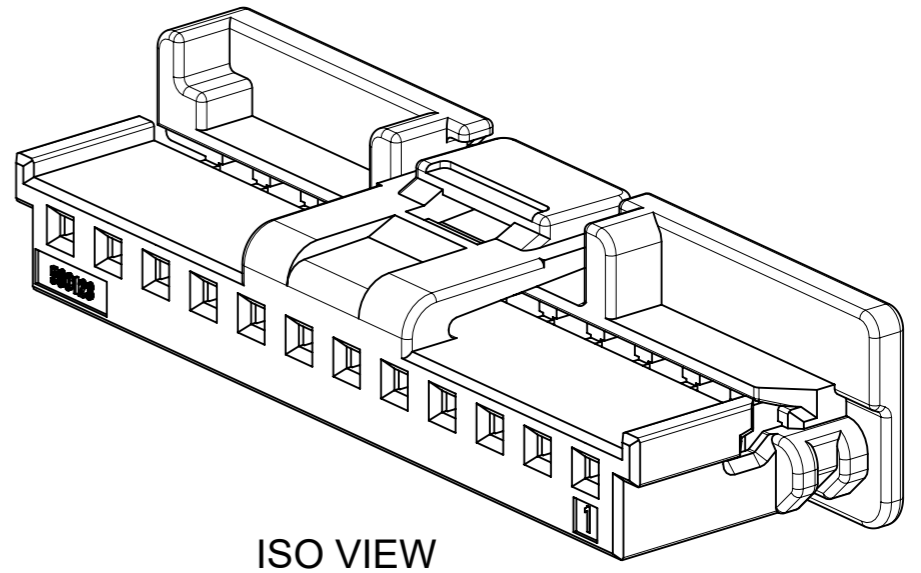
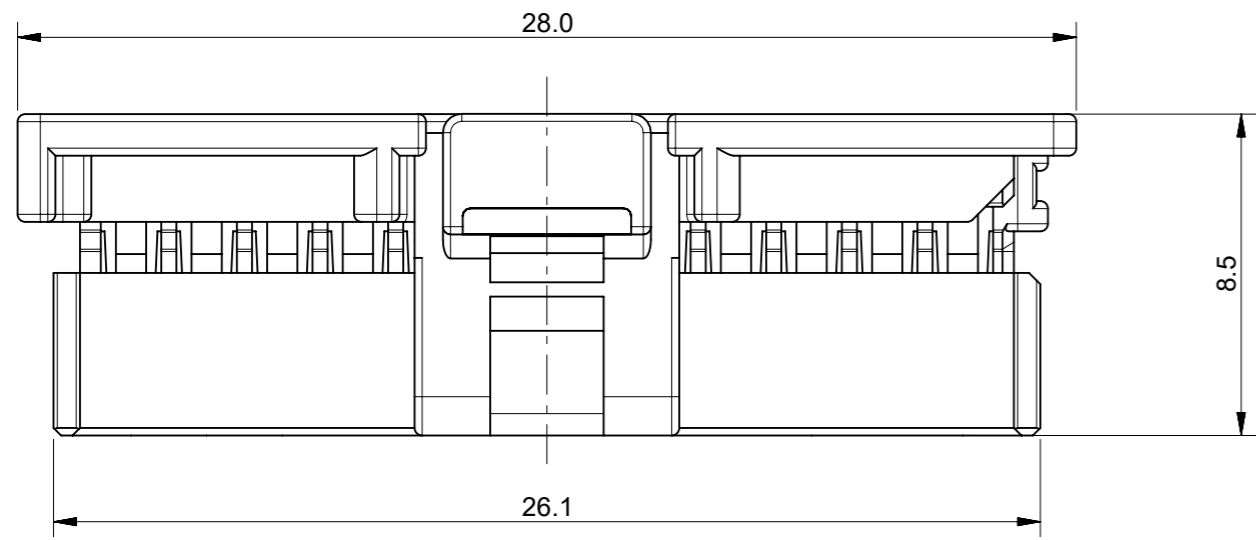
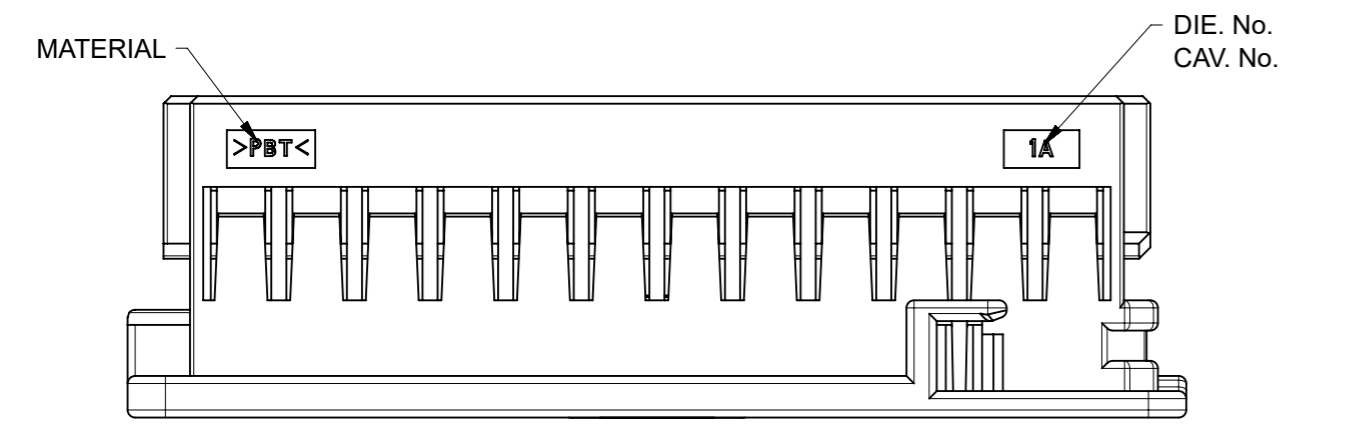
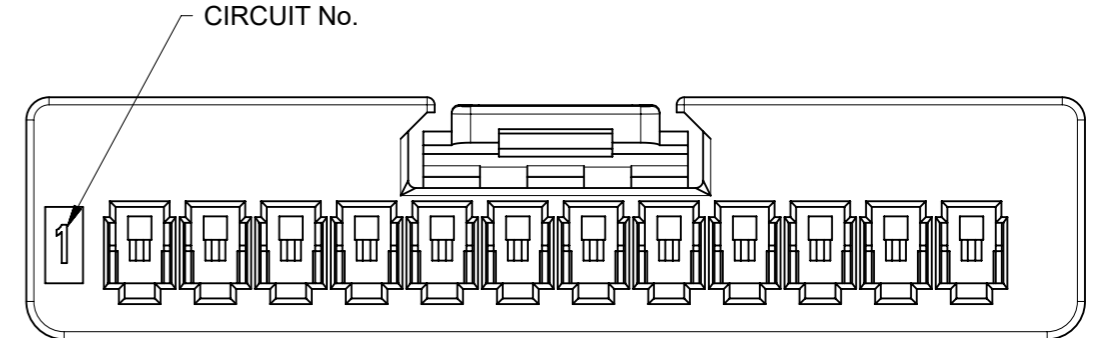
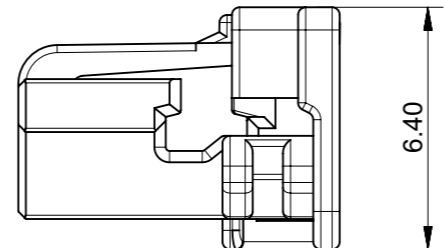
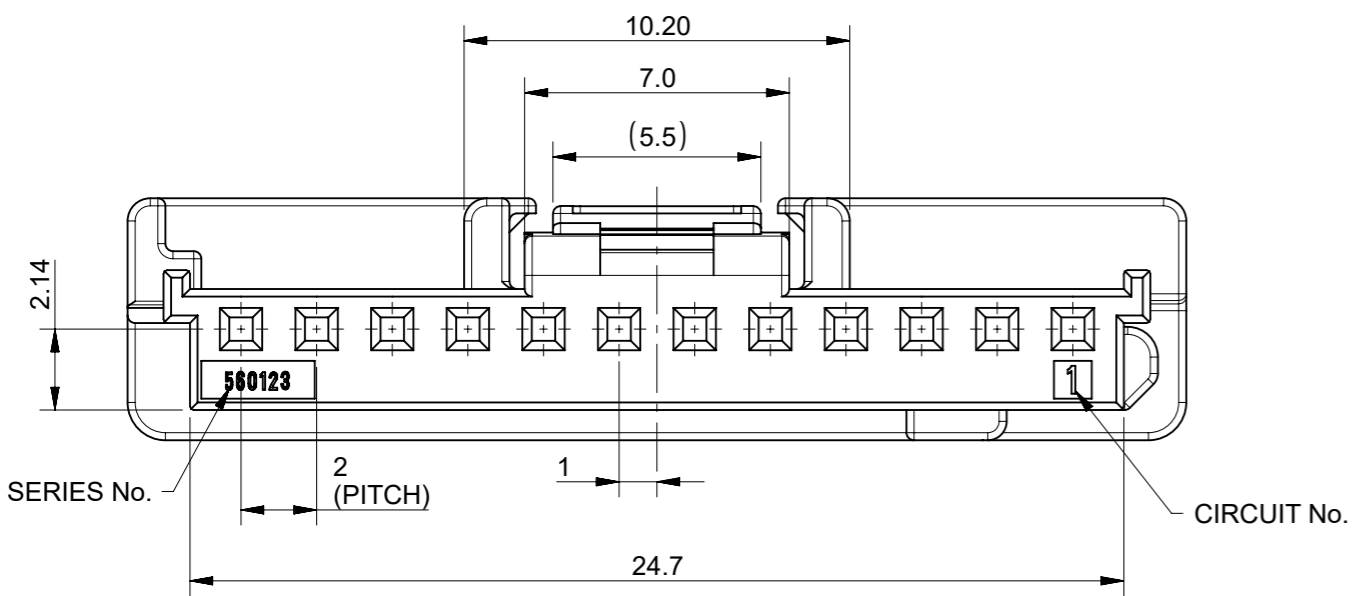


GENERAL TOLERANCE										USED ON
10 MAX	30 MAX	50 MAX	70 MAX	100 MAX	120 MAX	250 MAX	250 OVER	ANGLE	ECCENT	
±0.15	±0.20	±0.30	±0.40	±0.50	±0.75	±0.90	±1.4	±0.5°	0.1	



ISO VIEW



MATERIAL NUMBER		
ORDER NO.	MATERIAL NO.	COLOR
560123-1200	5601231200	WHITE
560123-1201	5601231201	BLACK

- NOTES:
1. MATERIALS : POLYESTER (PBT), GLASS UNFILLED, UL94 V-0
 2. MATE WITH : 502352, 560020 SERIES
 3. APPLICABLE TERMINAL : 560124 SERIES
 4. APPLICABLE ISL : 560125 SERIES
 5. GENERAL TOLERANCE : SEE TABLE
 6. EVL AND RoHS COMPLIANT
 7. PRODUCT SPECIFICATION : PS-560123-00*
 8. PACKING SPECIFICATION : PK-560123-001

SYMBOLS ▽ = 0 ▽ = 0 ▽ = 0 ▽ = 0 ▽ = 0 ▽ = 0 ▽ = 0 ▽ = 0 ▽ = 0 ▽ = 0 ▽ = 0 ▽ = 0	THIS DRAWING CONTAINS INFORMATION THAT IS PROPRIETARY TO MOLEX ELECTRONIC TECHNOLOGIES, LLC AND SHOULD NOT BE USED WITHOUT WRITTEN PERMISSION	SCALE	CURRENT REV DESC:	
	DIMENSION UNITS	5:1		
	GENERAL TOLERANCES (UNLESS SPECIFIED)			
	ANGULAR TOL	± °		
▽ = 0	4 PLACES	EC NO: 668822		
▽ = 0	3 PLACES	DRWN: SAKIM	2021/07/01	
▽ = 0	2 PLACES	CHK'D: HIJIMA	2021/07/05	
▽ = 0	1 PLACE	APPR: HIJIMA	2021/07/05	
▣ = 0	0 PLACES	INITIAL REVISION:		
DRAFT WHERE APPLICABLE MUST REMAIN WITHIN DIMENSIONS		DRWN: SJLEE06	2015/10/27	
THIRD ANGLE PROJECTION		APPR: JYCHOI	2016/01/27	
DRAWING		SERIES	MATERIAL NUMBER	CUSTOMER
A3-SIZE		560123	SEE TABLE	GENERAL MARKET
		DOCUMENT NUMBER	DOC TYPE	DOC PART
		SD-560123-007	PSD	001
		REVISION	SHEET NUMBER	
		A3	1 OF 1	