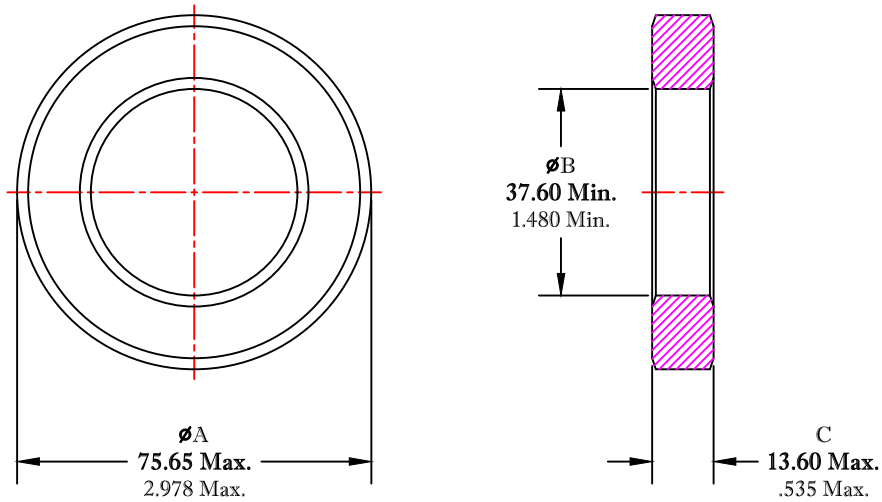


** Not all features are shown in this drawing. For more detailed information, please contact your Fair-Rite representative.

UNCONTROLLED ~CATALOG~ DRAWING

SIZE	PART NO.	REV.
B	5976011121	~



AFTER COATING


DIMENSIONS
BOLD NUMBERS ARE IN MILLIMETERS
 LIGHT NUMBERS ARE IN INCHES

NOTES:

- 1 - THIS PART TO BE THERMOSET PLASTIC COATED.
- 2 - COATING THICKNESS = **0.25mm** (.010") Max.
- 3 - COATED TOROID TO WITHSTAND A MINIMUM BREAKDOWN VOLTAGE OF 1000 Vrms, WHEN UNIFORMLY APPLIED ACROSS THE "C" DIMENSION.

FR# 76

ELECTRICAL SPECIFICATIONS						
$\Sigma l/A(mm^{-1})$	le (mm)	Ae (mm ²)	Ve (mm ³)	Lo (nH)	AL (nH) @10kHz <10gauss	$\tan \delta/\mu_1$ @40kHz <1gauss
0.77374	165	214	35288	1.625	16000±30%	≤50X10E-6

 FAIR-RITE PRODUCTS CORP.						
TITLE COATED TOROID						
DRAWN BY J.SERENCIS	DATE 07-18-2018	SIZE	PART NO.	REV.		
CHKD BY		B	5976011121	~		
APPRVD BY		SCALE	NONE	SHEET	1	of 1