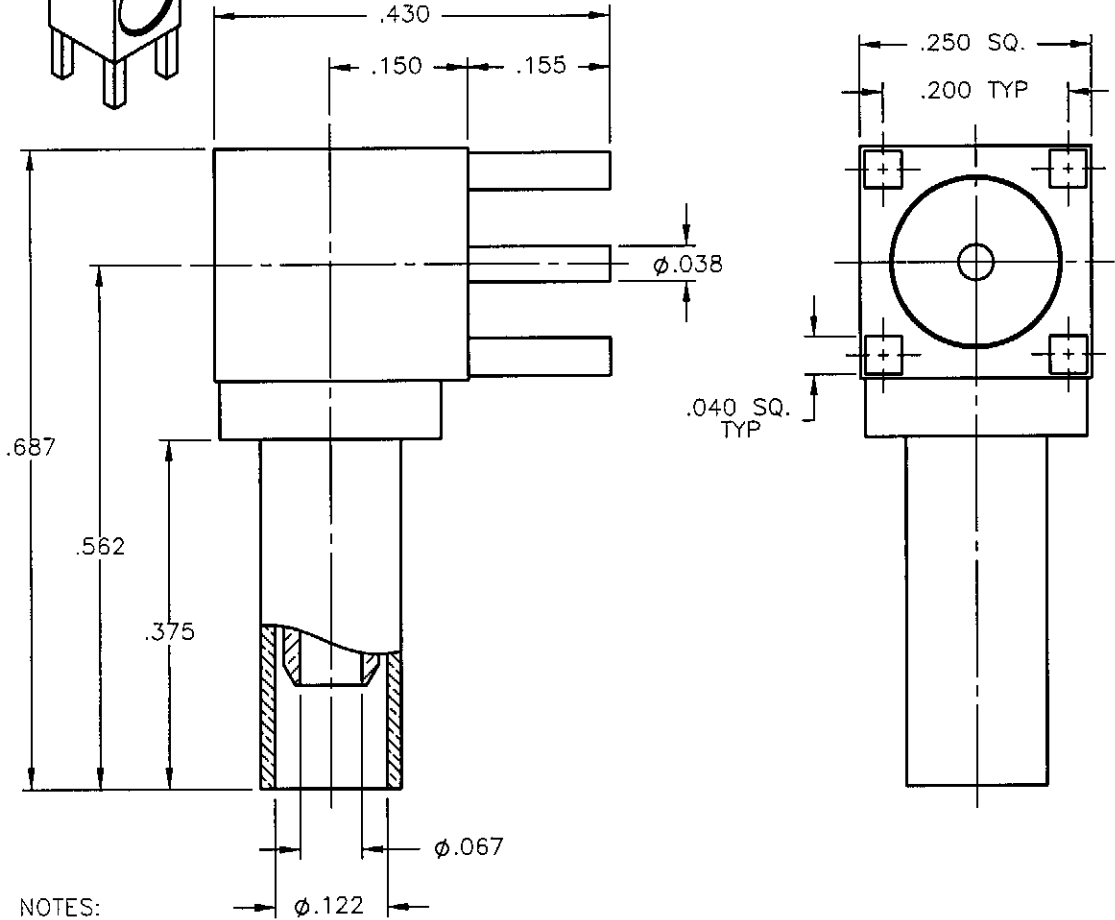
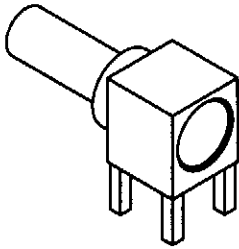


REVISIONS			
REV.	DESCRIPTION	DATE	APPROVED
B	ECO #7337	11/03/08	A.D.M.



NOTES:

MATERIALS:


1. INSULATORS = VIRGIN WHITE TEFLON PER ASTM D1710, GRADE 1, TYPE I, CLASS "B".
2. CRIMP SLEEVE = SEAMLESS LOWLEAD BRASS TUBE, ALLOY 330, SOFT ANNEAL TEMPER, .025/.060 GRAIN SIZE OR SEAMLESS COPPER TUBE PER ASTM B75, TYPE C12000, TEMPER: LIGHT ANNEAL O50 EXCEPT YIELD STRENGTH.
3. ALL OTHER METAL PARTS = BRASS PER ASTM B16, ALLOY C36000, TEMPER H02.

FINISHES:

1. CONTACT = GOLD PLATE PER MIL-G-45204, TYPE II, CLASS 1, GRADE C, OVER .00010 TO .00020 STRESS FREE SULFAMATE NICKEL PER QQ-N-290.
2. ALL OTHER METAL PARTS = GOLD PLATE PER MIL-G-45204, TYPE II, CLASS 0, GRADE C, OVER .00010 TO .00020 COPPER STRIKE PER MIL-C-14550.

Property of Radiall Incorporated
This document cannot be reproduced or communicated to a third party without prior written permission of RADIALL Incorporated.

UNLESS OTHERWISE SPECIFIED DIMENSIONS ARE IN INCHES TOLERANCES ON	DWN:	DATE
	A.D.M.	11/03/08
DECIMAL	ANGLE	DATE
		11/03/08
REFERENCE:	APVD:	DATE
ORIGINATED: D.N. DATE: 11/03/95	J.M.	11/03/08
	MATERIALS & FINISHES:	
	SEE NOTES	

APPLIED ENGINEERING PRODUCTS

 104 John W. Murphy Dr.
 New Haven, CT 06513
RADIALL company

**RIGHT ANGLE P.C.B. MOUNT
 CABLE TERMINATION CRIMP TYPE
 FOR RG-316 & SIMILAR CABLES**

SIZE	FSCM NO.	DWG NO.	REV
A	19505	8145-1521-003	B
SCALE 5:1		THIRD ANGLE PROJECTION	SHEET 1 OF 1

8145-1521-003