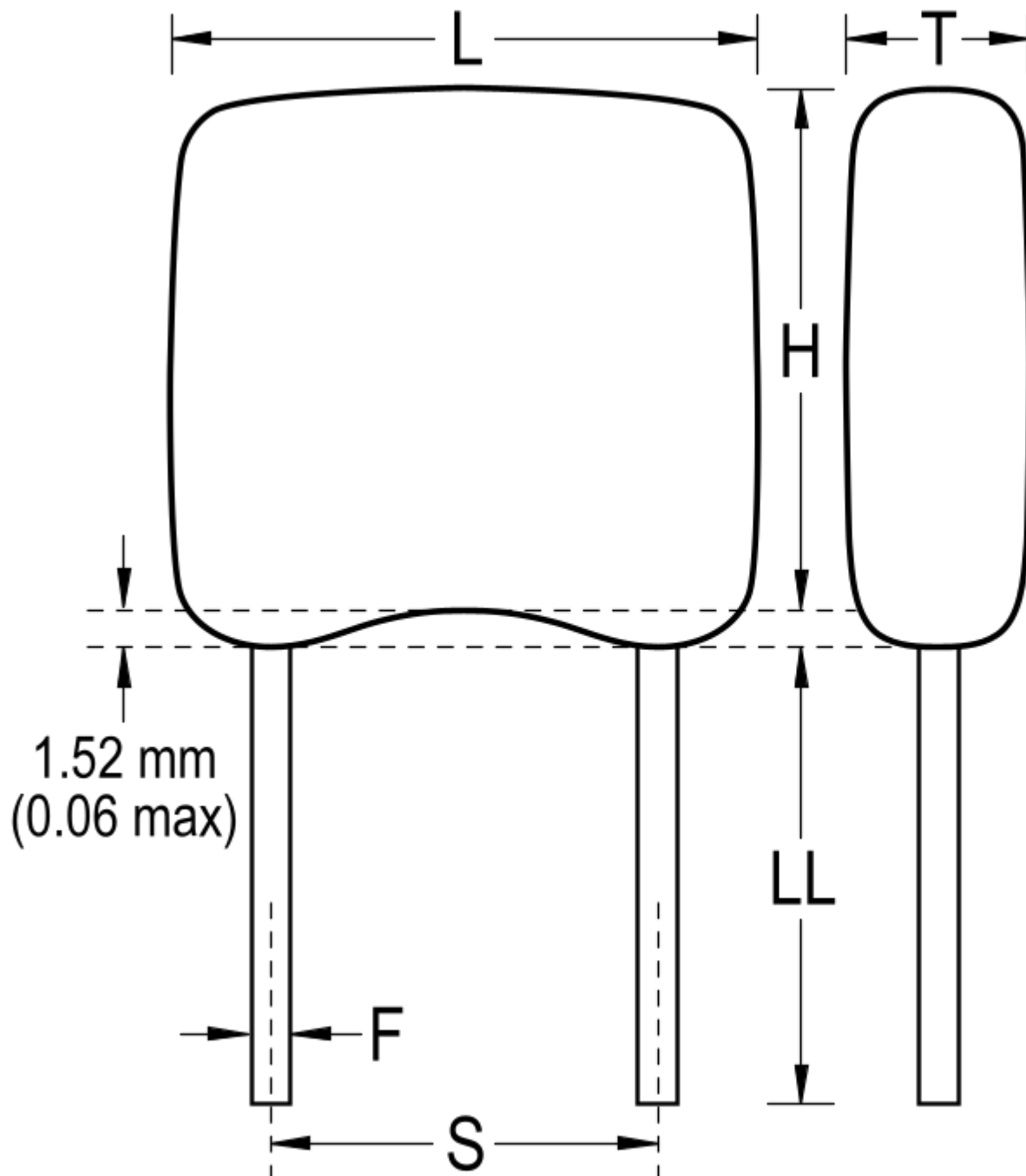


C315C101JCG5TA

GoldMax 300 Comm C0G HV, Ceramic, 100 pF, 5%, 500 VDC, C0G, GoldMax, Commercial Standard,
Lead Spacing = 2.54mm



Click [here](#) for the 3D model.

Dimensions

L 3.81mm MAX

H 3.3mm MAX

T 3.14mm MAX

S 2.54mm +/-0.78mm

Dimensions

LL 7mm MIN

F 0.51mm +0.1/-0.025mm

Packaging Specifications

Packaging Bulk, Bag

Packaging Quantity 500

General Information

Series GoldMax 300 Comm C0G HV

Style Radial

Description GoldMax, Commercial Standard

RoHS Yes

Termination Tin

Failure Rate N/A

AEC-Q200 No

Halogen Free Yes

Specifications

Capacitance	100 pF
Measurement Condition	1 MHz 1.0Vrms
Capacitance Tolerance	5%
Voltage DC	500 VDC
Dielectric Withstanding Voltage	750 VDC
Temperature Range	-55/+125°C
Temperature Coefficient	C0G
Capacitance Change with Reference to +25°C and 0 VDC Applied (TCC)	30PPM/C, 1MHz 1.0Vrms
Dissipation Factor	0.1% 1 MHz 1.0Vrms
Aging Rate	0% Loss/Decade Hour
Insulation Resistance	100 GOhms

Statements of suitability for certain applications are based on our knowledge of typical operating conditions for such applications, but are not intended to constitute - and we specifically disclaim - any warranty concerning suitability for a specific customer application or use. This Information is intended for use only by customers who have the requisite experience and capability to determine the correct products for their application. Any technical advice inferred from this Information or otherwise provided by us with reference to the use of our products is given gratis, and we assume no obligation or liability for the advice given or results obtained.

Generated 5/18/2023 - e1cdb588-af94-4ddd-a49a-2e7da5b40502

© 2006 - 2023 KEMET

Generated 5/18/2023 - e1cdb588-af94-4ddd-a49a-2e7da5b40502

© 2006 - 2023 KEMET