

# Circular Connectors

## Contents

Introduction

Specifications

Cable Connectors

Panel Connectors

Accessories



# Circular Connectors

A range of high reliability, rugged, RoHS-compliant Circular Connectors to meet the high standards of MIL-DTL-5015, priced to be cost-effective for commercial and industrial applications.

These connectors are designed for use in harsh environments. The high specification connectors are Cadmium-free and Hexavalent-Chromium-free to satisfy the requirements of RoHS (unlike the military standard version of MIL-DTL-5015). The connector range features free plugs, panel mount and cable connector orientations, in a number of popular shell and layout types. Pin and socket contacts can be selected in either side of a mating pair.

## Features

- ❖ Intermateable with MIL-DTL-5015
- ❖ Low cost, highly durable & rugged connector system
- ❖ Solder termination
- ❖ Full environmental sealing with the use of backshells and sealing gaskets, exceeds IP67
- ❖ Threaded and polarised coupling
- ❖ Zinc Cobalt alloy black shells, for RoHS compliance
- ❖ COTS applications where MIL spec is not mandatory



# Circular Connectors Specification

## Materials

Outer shell:	Aluminium Alloy base material, Zinc Cobalt Alloy, Black finish
Inner contacts:	Copper Alloy, Silver finish
Insulator, Grommet:	Synthetic Rubber

## Electrical

Current:	13A
Working voltage	
10SL shell:	500V AC, 700V DC
12S shell:	500V AC, 700V DC
14S shell:	200V AC, 250V DC
Voltage proof	
10SL shell:	2,000V AC
12S shell:	2,000V AC
14S shell:	1,000V AC
Insulation resistance:	5,000MΩ min

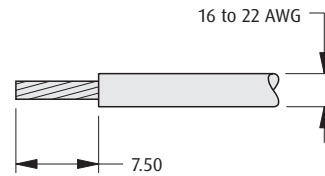
## Mechanical

Durability: 500 operations

## Environmental

Operating temperature:	-55°C to +125°C
Vibration sensitivity:	10Hz to 500Hz, 98m/s <sup>2</sup> (10G)
Shock severity:	490m/s <sup>2</sup> (50G) for 11ms
Water resistance (sealing):	1.8m for 48 hours - exceeds IP67

## Wire Detail



# Pin Numbering & Spacing

Views are shown onto the mating face of each connector type.

	10SL SHELL		12S SHELL	14S SHELL	
	2 CONTACT (10SL-4)	3 CONTACT (10SL-3)	2 CONTACT (12S-3)	4 CONTACT (14S-2)	6 CONTACT (14S-6)
FEMALE					
MALE					

All dimensions in mm.

# Circular Connectors

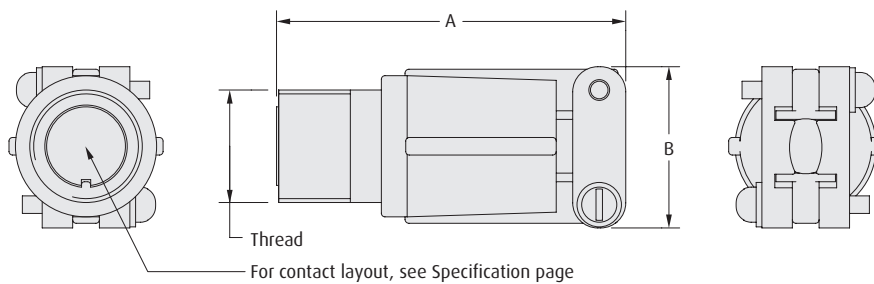
## Cable Connector & Straight Plug

- Male & female circular connectors intermateable with MIL-DTL-5015.
- Rugged connector system for harsh environments.
- Exceeds IP67.
- Recommended wire strip length is 7.5mm.



CIRCULAR

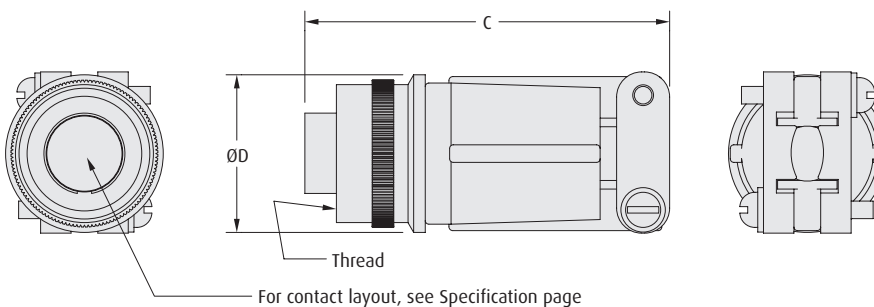
### CABLE CONNECTOR



SHELL SIZE	THREAD	A max	B max
10SL-3	5/8-24UNEF	54.10	22.76
10SL-4	5/8-24UNEF	54.10	22.76
12S-3	3/4-20UNEF	54.10	22.76
14S-2	7/8-20UNEF	54.10	25.94
14S-6	7/8-20UNEF	54.10	25.94

- Connector Kit includes internal sealing grommet (not shown here).

### STRAIGHT PLUG



SHELL SIZE	THREAD	C max	ØD max
10SL-3	5/8-24UNEF	54.10	24.10
10SL-4	5/8-24UNEF	54.10	24.10
12S-3	3/4-20UNEF	54.10	25.30
14S-2	7/8-20UNEF	55.91	28.53
14S-6	7/8-20UNEF	55.91	28.53

- Connector Kit includes internal sealing grommet and rear rubber bushing (not shown here).

### HOW TO ORDER

**C90 - 310XX XXXX-X X**

SERIES CODE

TYPE	
3101F	Cable connector with backshell
3106F	Straight plug with backshell

CONTACT GENDER

P	Male
S	Female

SHELL SIZE

10SL-3	Thread 5/8-24UNEF, 3 contacts
10SL-4	Thread 5/8-24UNEF, 2 contacts
12S-3	Thread 3/4-20UNEF, 2 contacts
14S-2	Thread 7/8-20UNEF, 4 contacts
14S-6	Thread 7/8-20UNEF, 6 contacts

All dimensions in mm.

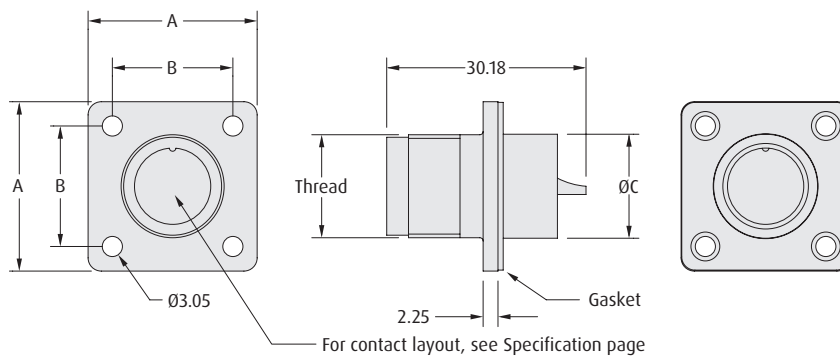
# Circular Connectors

## Panel Mount Connector, Receptacle Style

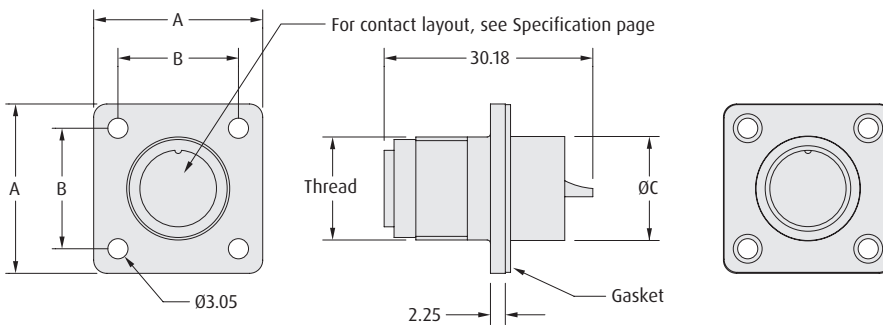
- Male & female circular connectors intermateable with MIL-DTL-5015.
- Features screw holes for panel mounting.
- Gaskets provide panel mount sealing, and can be used either side of the flange.
- Mates with C90-3106F Straight Plug connectors shown on previous page.



### MALE CONTACT



### FEMALE CONTACT



SHELL SIZE	THREAD	A	B	ØC
10SL-3	5/8-24UNEF	25.65	18.25	15.75
10SL-4	5/8-24UNEF	25.65	18.25	15.75
12S-3	3/4-20UNEF	28.02	20.62	17.17
14S-2	7/8-20UNEF	30.40	23.02	18.92
14S-6	7/8-20UNEF	30.40	23.02	18.92

### HOW TO ORDER

**C90 - 3102R XXXX-X X**

**SERIES CODE**

**TYPE**

**3102R** Panel mount connector with gasket

**CONTACT GENDER**

<b>P</b>	Male
<b>S</b>	Female

**SHELL SIZE**

<b>10SL-3</b>	Thread 5/8-24UNEF, 3 contacts
<b>10SL-4</b>	Thread 5/8-24UNEF, 2 contacts
<b>12S-3</b>	Thread 3/4-20UNEF, 2 contacts
<b>14S-2</b>	Thread 7/8-20UNEF, 4 contacts
<b>14S-6</b>	Thread 7/8-20UNEF, 6 contacts

All dimensions in mm.

# Circular Connectors

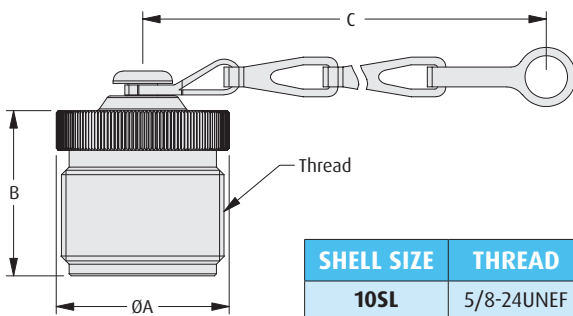
## Dust Caps & Rubber Bushing

- ❖ Dust cap with external thread for use with Straight Plugs (C90-3106F).
- ❖ Dust cap with internal thread for use with Cable connectors (C90-3101F) and Panel Mount connectors (C90-3102R).
- ❖ Dust caps supplied fitted with chain.
- ❖ Rubber Bushing for use with Cable connectors (C90-3101F).



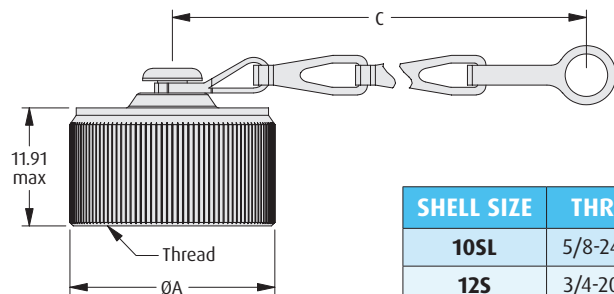
CIRCULAR

### DUST CAP – EXTERNAL THREAD



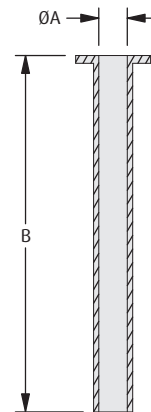
SHELL SIZE	THREAD	ØA max	B max	C
10SL	5/8-24UNEF	17.45	16.66	101.60
12S	3/4-20UNEF	20.62	21.44	114.30
14S	7/8-20UNEF	23.80	21.44	114.30

### DUST CAP – INTERNAL THREAD



SHELL SIZE	THREAD	ØA max	C
10SL	5/8-24UNEF	20.70	101.60
12S	3/4-20UNEF	25.40	114.30
14S	7/8-20UNEF	28.57	114.30

### RUBBER BUSHING



TYPE	ØA	B
4	5.59	69.85
6	7.92	66.68

### HOW TO ORDER

**C90 - 2504X - XXXX**

SERIES CODE

TYPE	
2	External thread
3	Internal thread

SIZE

10SL	For 10SL shell size
12S	For 12SL shell size
14S	For 14SL shell size

### HOW TO ORDER

**C90 - 3420 - X**

SERIES CODE

TYPE	
4	For 10SL shell size
4	For 12SL shell size
6	For 14SL shell size

All dimensions in mm.