

4

3

2

1

THIS DRAWING IS UNPUBLISHED.

RELEASED FOR PUBLICATION

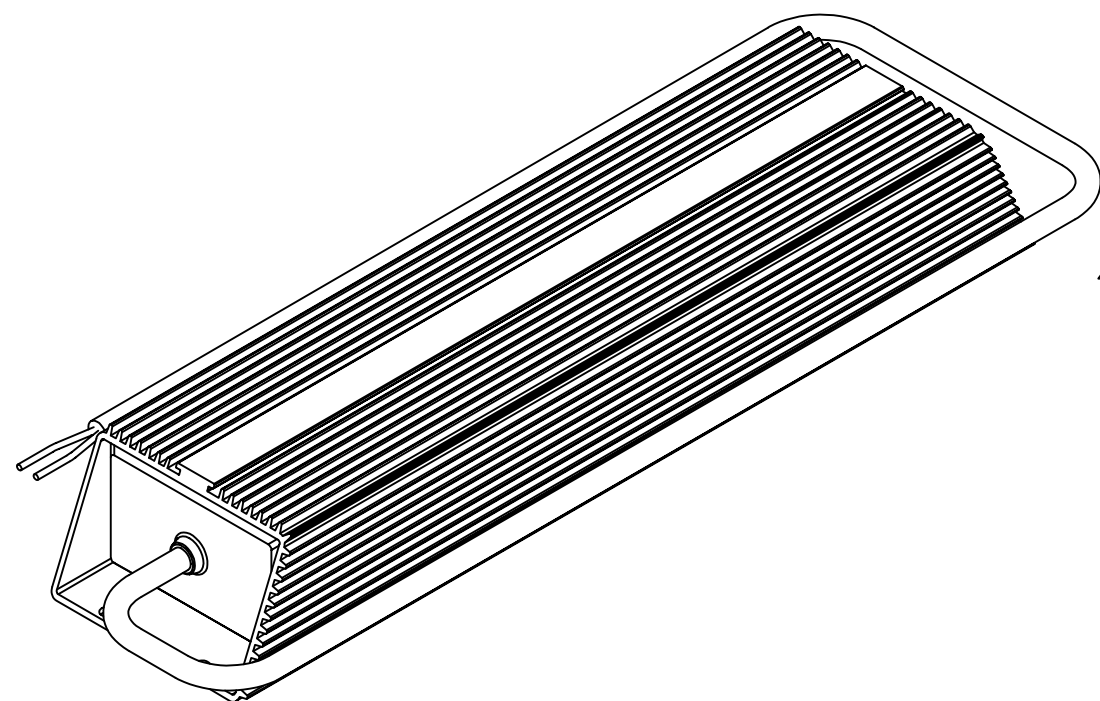
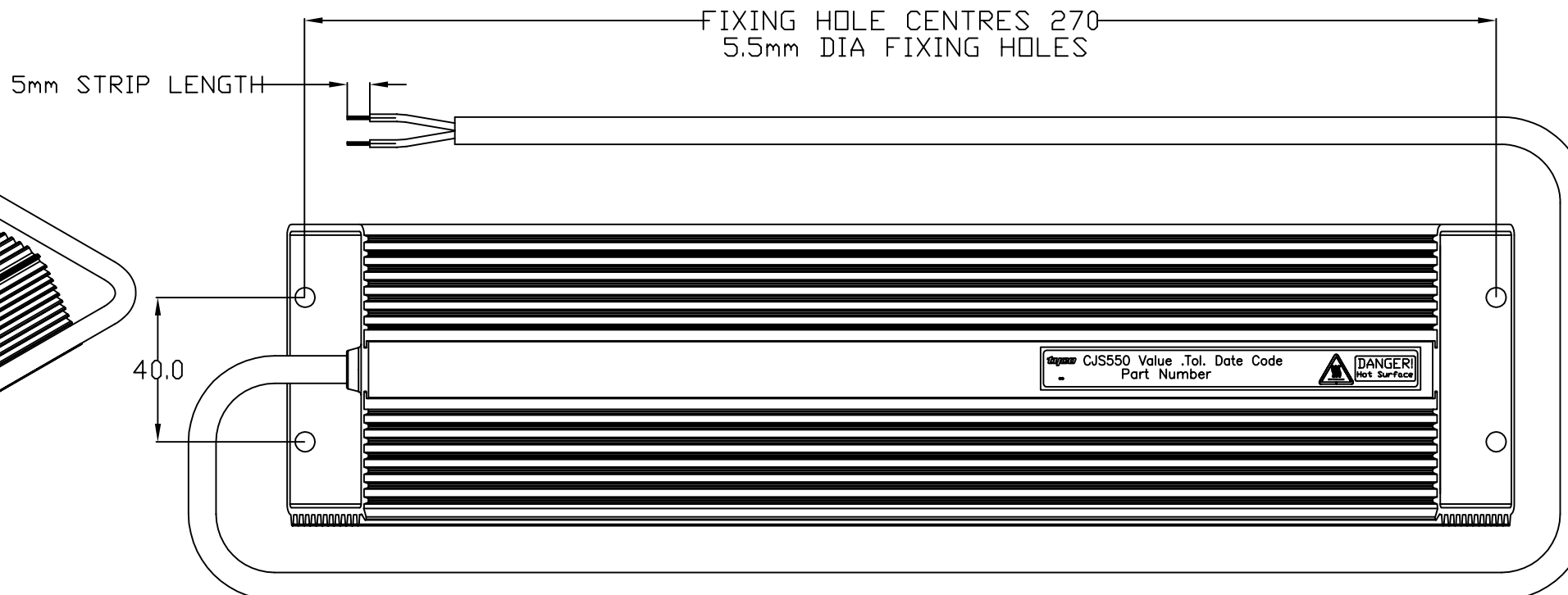
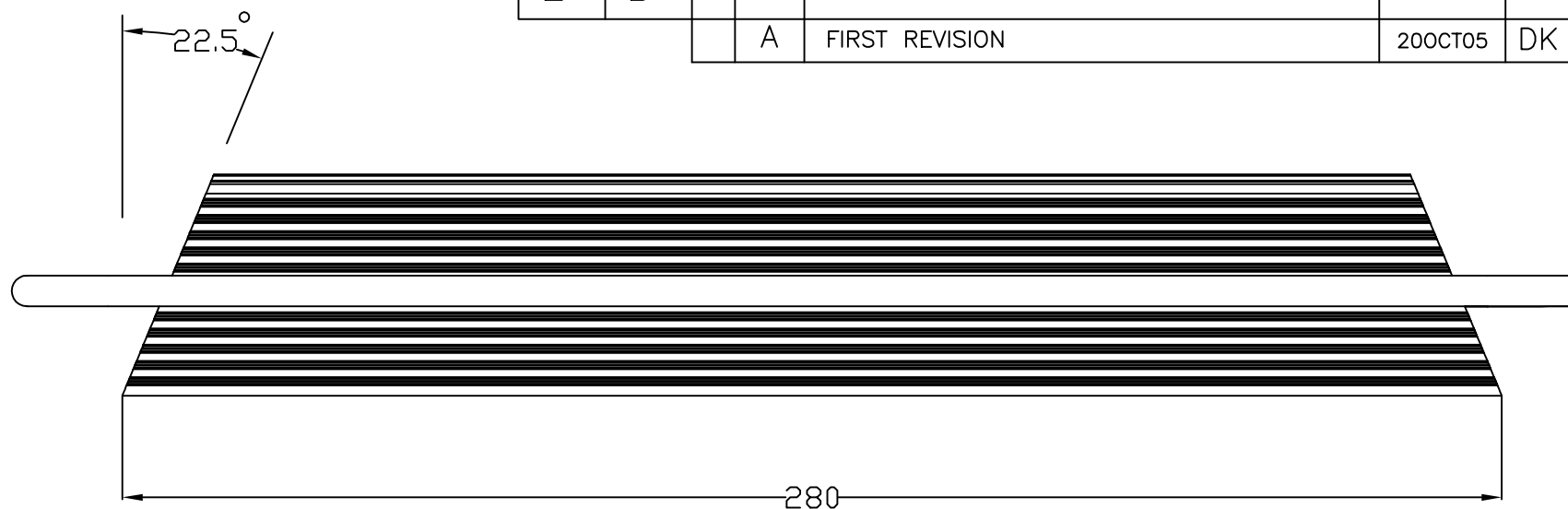
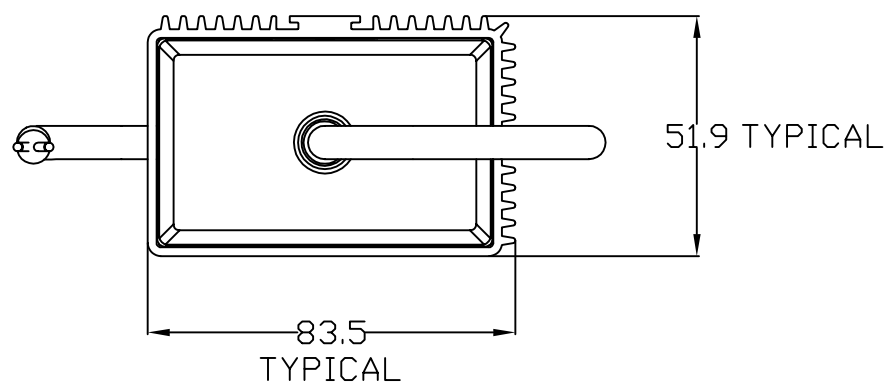
OCT ,2005.

© COPYRIGHT 2005 BY TYCO ELECTRONICS CORPORATION. ALL RIGHTS RESERVED.

LOC E DIST B

REVISIONS

P	LTR	DESCRIPTION	DATE	DWN	APVD
	A	FIRST REVISION	200CT05	DK	JC



CABLE:Silicone Rubber Insulated
 2 core x 30/0.25mm nickel plated copper conductors
 Inner cores R.T.I. 0.6mm Grade GPC – Colour Blue
 Outer sheath to O.D. 6.7mm Grade GPC – Colour Black
 CONTACT TYCO FOR INFORMATION ON CABLE LENGTH

FOR A SPECIFIC PN FOR A RESISTANCE VALUE AND TOLERANCE, PLEASE REFER TO DMF.

RoHS Compliant

THIS DRAWING IS A CONTROLLED DOCUMENT.		DWN DAVE KENNEDY 19OCT05	tyco Electronics Tyco Electronics Corporation Dorcan, Swindon, SN3 5HH	
DIMENSIONS: INCHES		CHK J CATCHPOLE 200CT05	NAME CJS550	
TOLERANCES UNLESS OTHERWISE SPECIFIED:		APVD J CATCHPOLE 200CT05	PRODUCT SPEC -	
0 PLC ± -		APPLICATION SPEC -	SIZE A3 CAGE CODE 00779 DRAWING NO C=1676494 RESTRICTED TO -	
1 PLC ± -		WEIGHT -	CUSTOMER DRAWING	
2 PLC ± -		SCALE NTS SHEET 1 OF 1 REV A		
3 PLC ± -				
4 PLC ± -				
ANGLES ± -				
FINISH -				