

(FROM PAGE 4)  
DCKIP  
DCKIN

DIGITAL INPUTS FROM PAGE 4

U1 \*

REFER TO PAGE 5 FOR DIGITAL INPUT PIN FUNCTIONS FOR EACH DEVICE TYPE

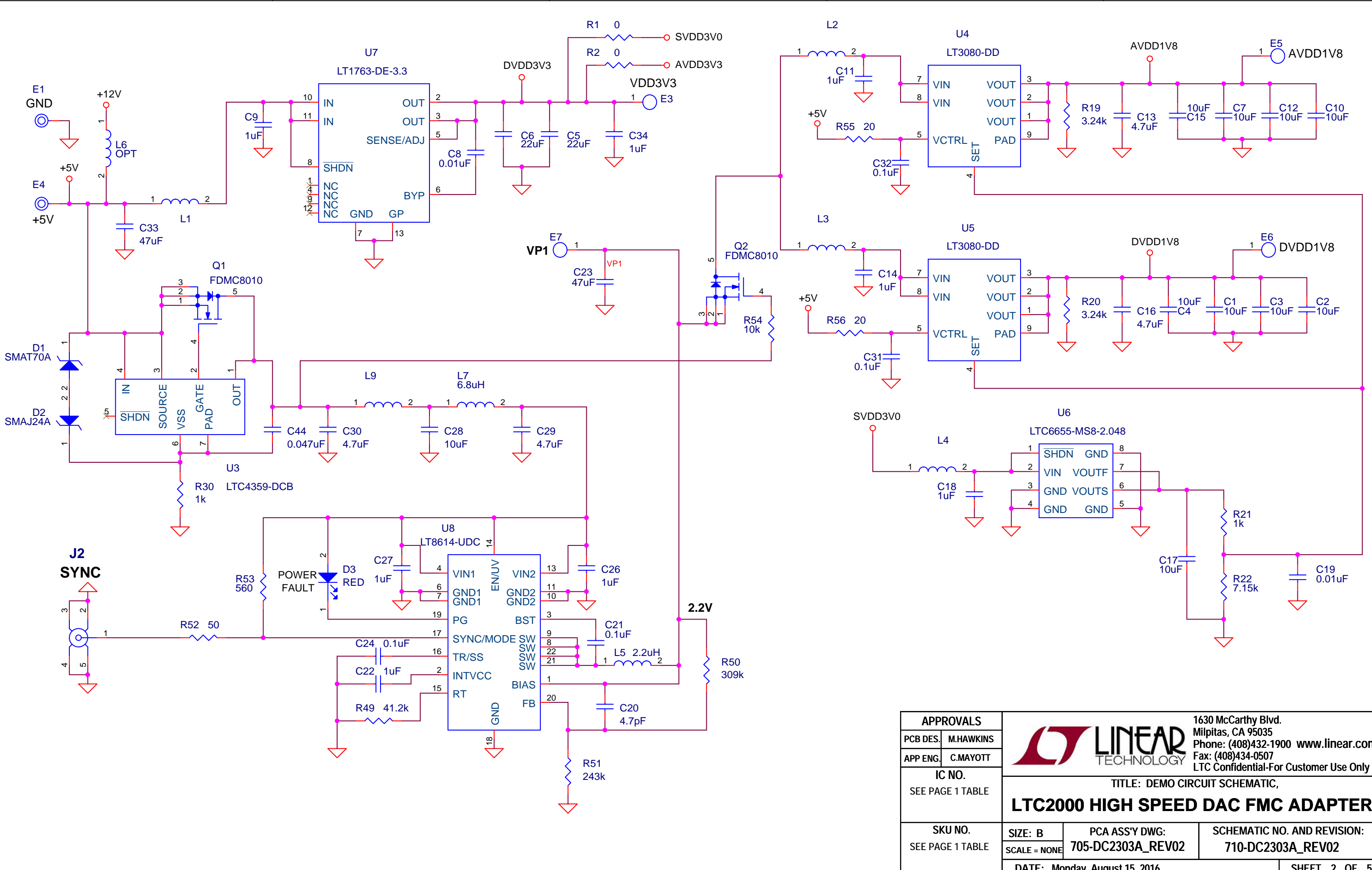
DIGITAL INPUTS FROM PAGE 4


\* DEMO SKU# / U1 IC TABLE

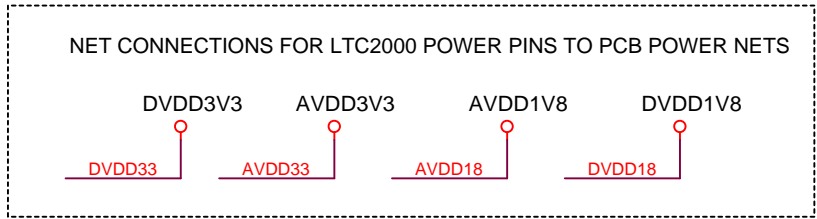
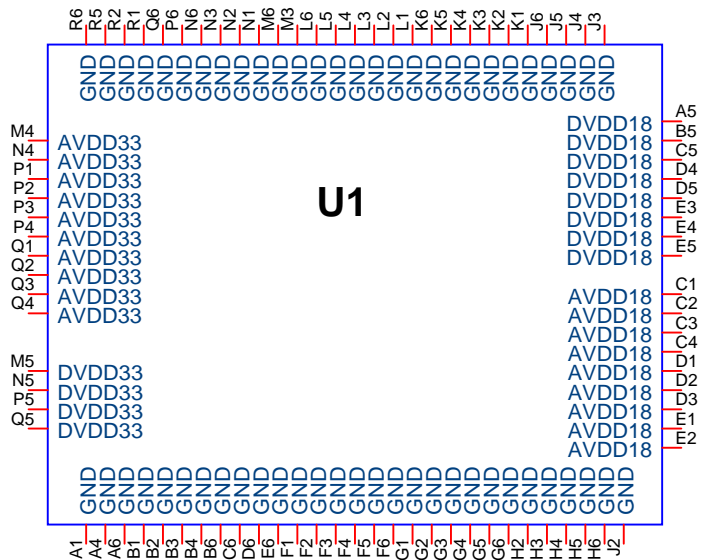
| DEMO BD SKU# | U1            |
|--------------|---------------|
| DC2303A-A    | LTC2000IY-16  |
| DC2303A-B    | LTC2000IY-14  |
| DC2303A-C    | LTC2000IY-11  |
| DC2303A-D    | LTC2000AIY-16 |
| DC2303A-E    | LTC2000AIY-14 |
| DC2303A-F    | LTC2000AIY-11 |

- NOTES:**
1. ALL RESISTORS ARE SIZE 0402, U.O.N.
  2. REFER TO PAGE 3 FOR LTC2000 POWER CONNECTIONS.
  3. THIS SCHEMATIC DEPICTS U1 USED FOR DC2303A-A. NOTE TABLE FOR ALTERNATE U1 P/N.

|   |   |  |   |   |   |
|---|---|--|---|---|---|
| <p><b>CUSTOMER NOTICE</b></p> <p>LINEAR TECHNOLOGY HAS MADE A BEST EFFORT TO DESIGN A CIRCUIT THAT MEETS CUSTOMER-SUPPLIED SPECIFICATIONS; HOWEVER, IT REMAINS THE CUSTOMER'S RESPONSIBILITY TO VERIFY PROPER AND RELIABLE OPERATION IN THE ACTUAL APPLICATION. COMPONENT SUBSTITUTION AND PRINTED CIRCUIT BOARD LAYOUT MAY SIGNIFICANTLY AFFECT CIRCUIT PERFORMANCE OR RELIABILITY. CONTACT LINEAR TECHNOLOGY APPLICATIONS ENGINEERING FOR ASSISTANCE.</p> | <p><b>APPROVALS</b></p> <p>PCB DES. M.HAWKINS<br/>APP ENG. C.MAYOTT</p> |  | <p>1630 McCarthy Blvd.<br/>Milpitas, CA 95035<br/>Phone: (408)432-1900 www.linear.com<br/>Fax: (408)434-0507<br/>LTC Confidential-For Customer Use Only</p> |   |   |
|   | <p>IC NO.<br/>SEE TABLE</p>   |  |   |   | <p>TITLE: DEMO CIRCUIT SCHEMATIC,<br/><b>LTC2000 HIGH SPEED DAC FMC ADAPTER</b></p> |
| <p>THIS CIRCUIT IS PROPRIETARY TO LINEAR TECHNOLOGY AND SUPPLIED FOR USE WITH LINEAR TECHNOLOGY PARTS.</p>  | <p>SKU NO.<br/>SEE TABLE</p>  |  | <p>SIZE: 11x17<br/>SCALE = NONE</p>   | <p>PCA ASS'Y DWG:<br/>705-DC2303A_REV02</p> | <p>SCHEMATIC NO. AND REVISION:<br/>710-DC2303A_REV02</p>                            |
|   | <p>DATE: Monday, August 15, 2016</p>                                    |  |   | <p>SHEET 1 OF 5</p>                         |   |

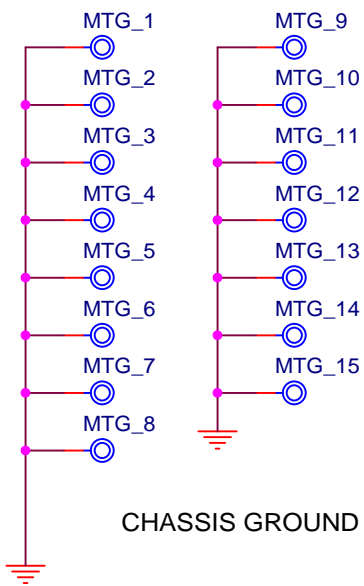


|                               |           |  |                   |                             |  |
|-------------------------------|-----------|--|-------------------|-----------------------------|--|
| <b>APPROVALS</b>              |           |  <b>LINEAR TECHNOLOGY</b><br>1630 McCarthy Blvd.<br>Milpitas, CA 95035<br>Phone: (408)432-1900 www.linear.com<br>Fax: (408)434-0507<br>LTC Confidential-For Customer Use Only |                   |                             |  |
| PCB DES.                      | M.HAWKINS |  |                   |                             |  |
| APP ENG.                      | C.MAYOTT  |  |                   |                             |  |
| IC NO.                        |           | <b>TITLE: DEMO CIRCUIT SCHEMATIC,</b><br><b>LTC2000 HIGH SPEED DAC FMC ADAPTER</b>   |                   |                             |  |
| SEE PAGE 1 TABLE              |           |  |                   |                             |  |
| SKU NO.                       |           | SIZE: B  | PCA ASS'Y DWG:    | SCHEMATIC NO. AND REVISION: |  |
| SEE PAGE 1 TABLE              |           | SCALE = NONE   | 705-DC2303A_REV02 | 710-DC2303A_REV02           |  |
| DATE: Monday, August 15, 2016 |           |  |                   | SHEET 2 OF 5                |  |

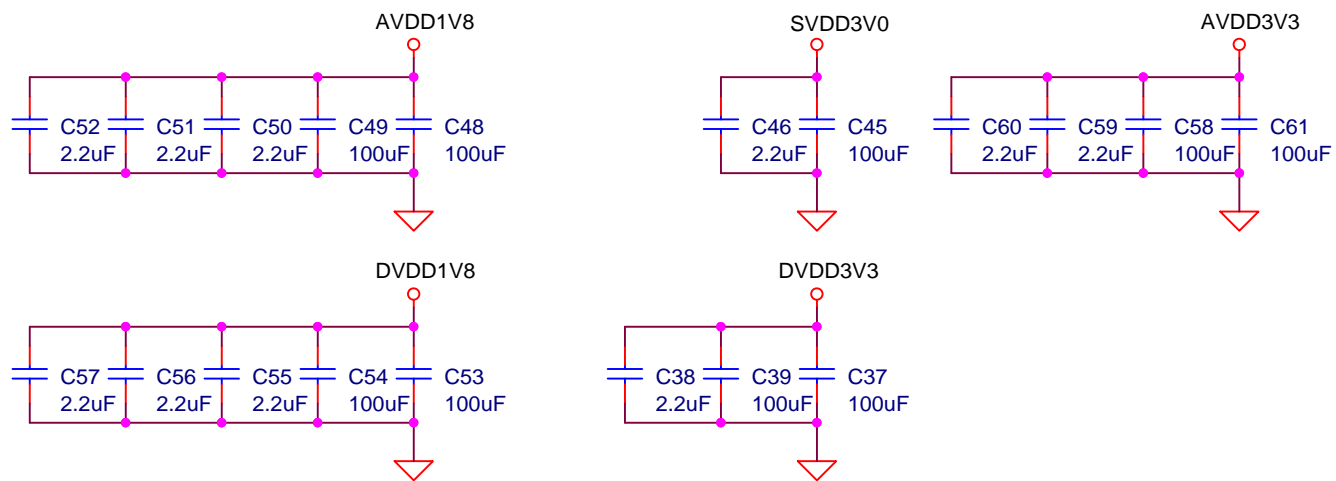


**LTC2000 POWER CONNECTIONS**

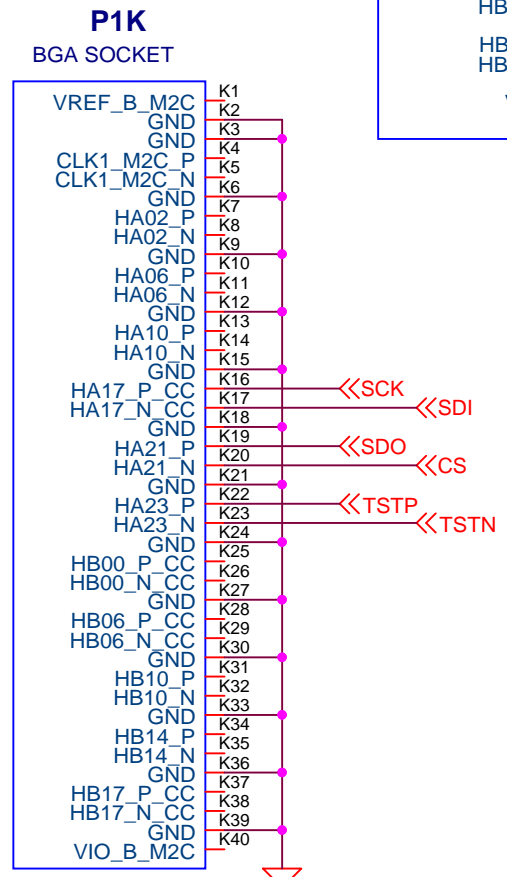
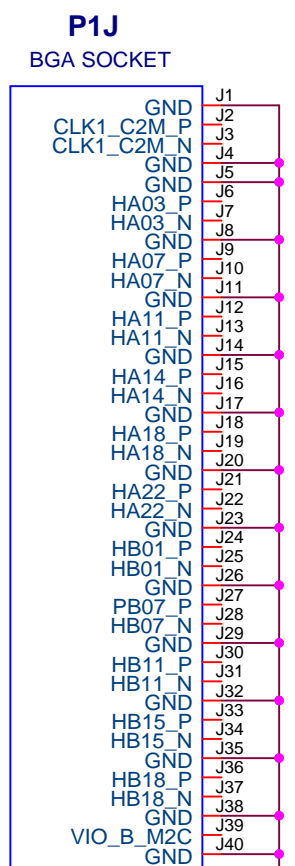
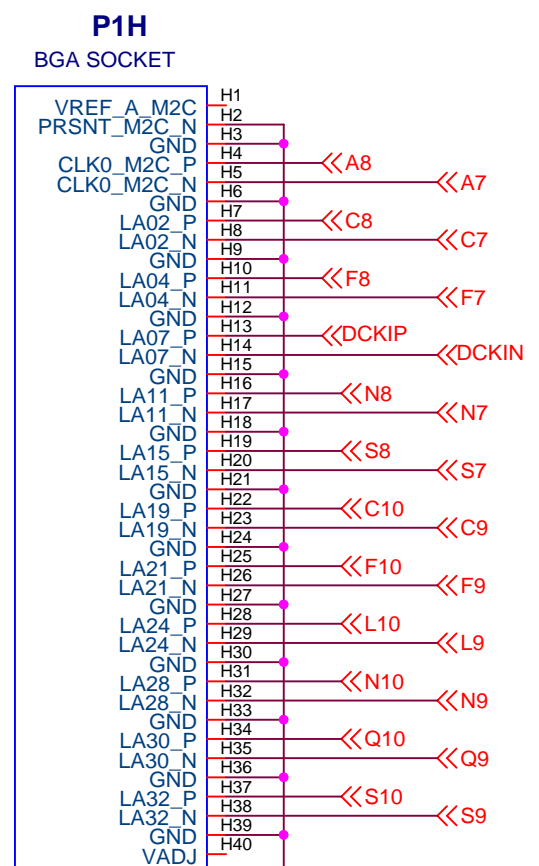
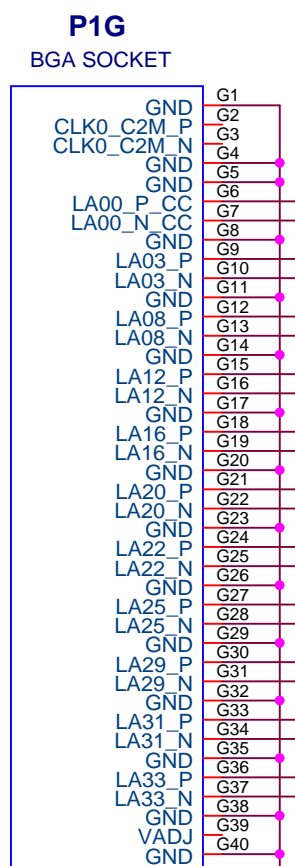
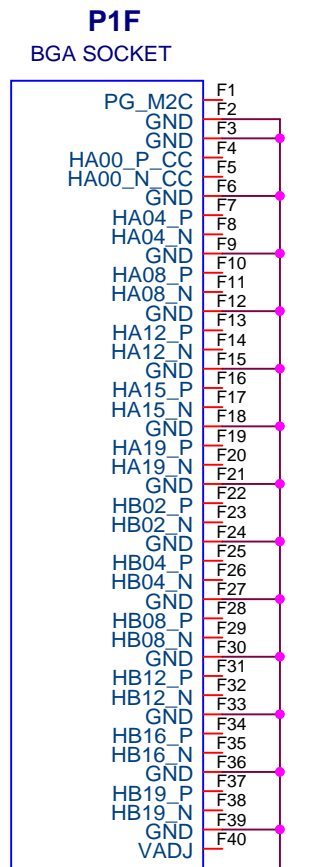
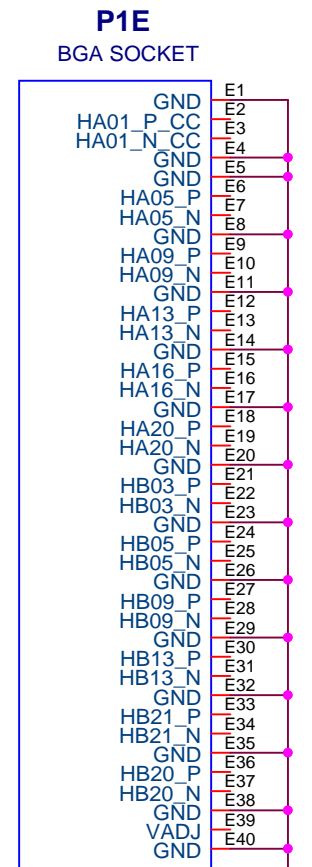
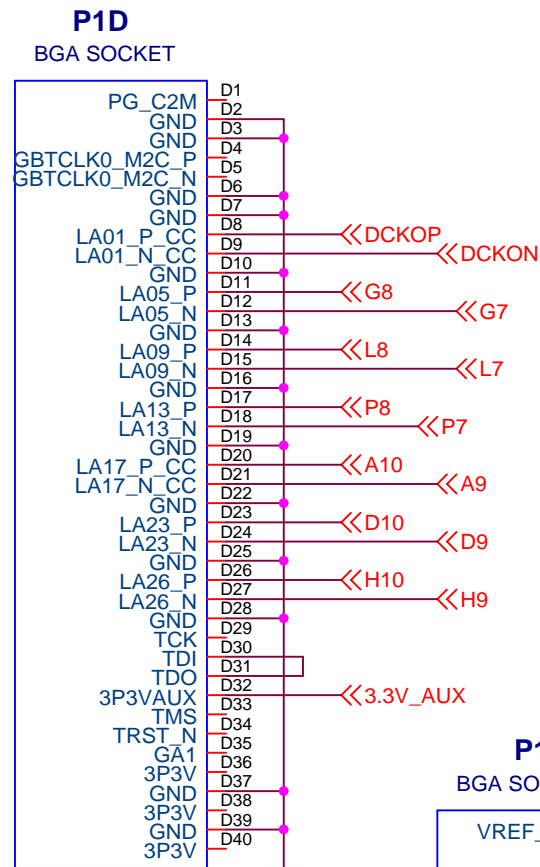
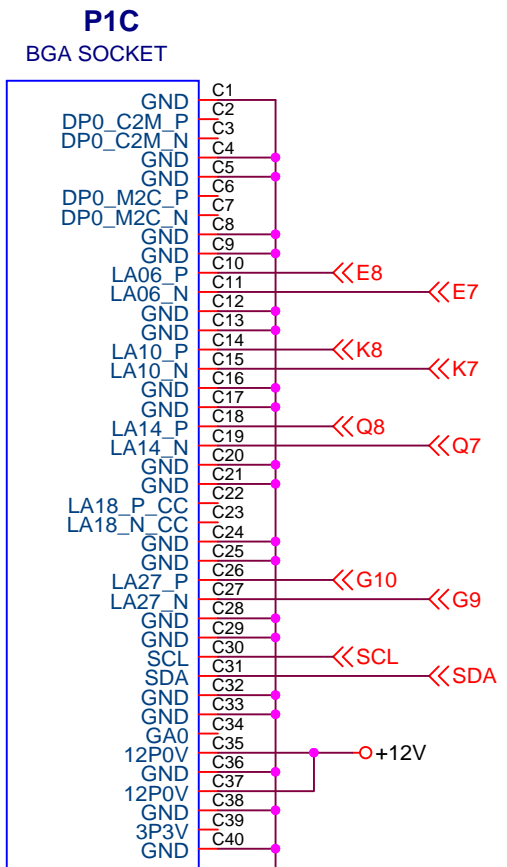
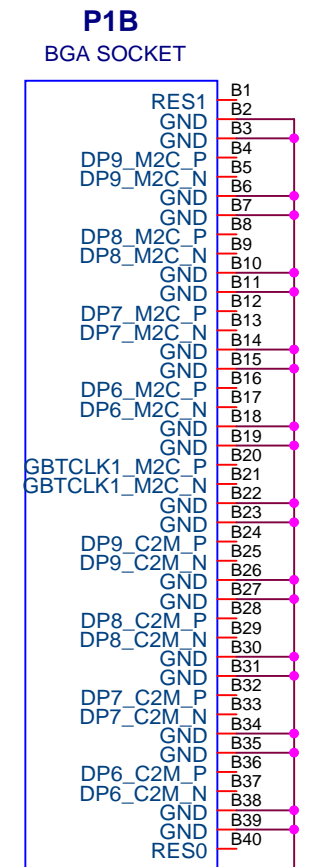
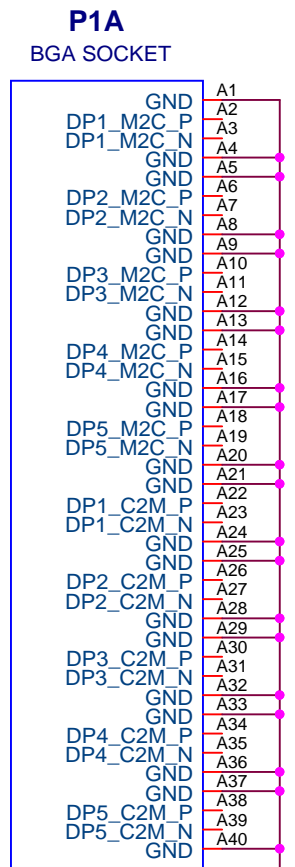
**MOUNTING HOLES ON THERMAL TRANSFER STRIP**



**LTC2000 POWER BYPASS CAPACITORS**



|                  |              |   |                             |
|------------------|--------------|---|-----------------------------|
| <b>APPROVALS</b> |              | <p>1630 McCarthy Blvd.<br/>Milpitas, CA 95035<br/>Phone: (408)432-1900 www.linear.com<br/>Fax: (408)434-0507<br/>LTC Confidential-For Customer Use Only</p> |                             |
| PCB DES.         | M.HAWKINS    |   |                             |
| APP ENG.         | C.MAYOTT     |   |                             |
| <b>IC NO.</b>    |              | <p>TITLE: DEMO CIRCUIT SCHEMATIC,<br/><b>LTC2000 HIGH SPEED DAC FMC ADAPTER</b></p>   |                             |
| SEE PAGE 1 TABLE |              |   |                             |
| <b>SKU NO.</b>   | SIZE: 8.5x11 | PCA ASS'Y DWG:  | SCHEMATIC NO. AND REVISION: |
|                  | SCALE = NONE | 705-DC2303A_REV02   |                             |
| SEE PAGE 1 TABLE |              | DATE: Monday, August 15, 2016   | SHEET 3 OF 5                |



**ADDITIONAL PARTS**

| LB1  | LABEL              |
|------|--------------------|
| PCB1 | PCB, DC2303A REV02 |
|      |                    |
|      |                    |

|                             |           |  |                               |  |              |
|-----------------------------|-----------|--|-------------------------------|--|--------------|
| <b>APPROVALS</b>            |           |  |                               | 1630 McCarthy Blvd.<br>Milpitas, CA 95035<br>Phone: (408)432-1900 www.linear.com<br>Fax: (408)434-0507<br>LTC Confidential-For Customer Use Only |              |
| PCB DES.                    | M.HAWKINS |  |                               |  |              |
| APP ENG.                    | C.MAYOTT  | <b>TITLE: DEMO CIRCUIT SCHEMATIC,<br/>LTC2000 HIGH SPEED DAC FMC ADAPTER</b> |                               | PCA ASS'Y DWG:<br><b>705-DC2303A_REV02</b>   |              |
| IC NO.<br>SEE PAGE 1 TABLE  |           |  |                               | SCHEMATIC NO. AND REVISION:<br><b>710-DC2303A_REV02</b>  |              |
| SKU NO.<br>SEE PAGE 1 TABLE |           | SIZE: 11x17<br>SCALE = NONE  | DATE: Monday, August 15, 2016 |  | SHEET 4 OF 5 |

FOR LTC2000-16, LTC2000A-16  
PORT B INPUTS

|     |       |     |      |
|-----|-------|-----|------|
| A10 | DBP15 | K10 | DBP7 |
| A9  | DBN15 | K9  | DBN7 |
| B10 | DBP14 | L10 | DBP6 |
| B9  | DBN14 | L9  | DBN6 |
| C10 | DBP13 | M10 | DBP5 |
| C9  | DBN13 | M9  | DBN5 |
| D10 | DBP12 | N10 | DBP4 |
| D9  | DBN12 | N9  | DBN4 |
| E10 | DBP11 | P10 | DBP3 |
| E9  | DBN11 | P9  | DBN3 |
| F10 | DBP10 | Q10 | DBP2 |
| F9  | DBN10 | Q9  | DBN2 |
| G10 | DBP9  | R10 | DBP1 |
| G9  | DBN9  | R9  | DBN1 |
| H10 | DBP8  | S10 | DBP0 |
| H9  | DBN8  | S9  | DBN0 |

FOR LTC2000-14, LTC2000A-14  
PORT B INPUTS

|     |       |     |      |
|-----|-------|-----|------|
| A10 | DBP13 | K10 | DBP5 |
| A9  | DBN13 | K9  | DBN5 |
| B10 | DBP12 | L10 | DBP4 |
| B9  | DBN12 | L9  | DBN4 |
| C10 | DBP11 | M10 | DBP3 |
| C9  | DBN11 | M9  | DBN3 |
| D10 | DBP10 | N10 | DBP2 |
| D9  | DBN10 | N9  | DBN2 |
| E10 | DBP9  | P10 | DBP1 |
| E9  | DBN9  | P9  | DBN1 |
| F10 | DBP8  | Q10 | DBP0 |
| F9  | DBN8  | Q9  | DBN0 |
| G10 | DBP7  | R10 | GND  |
| G9  | DBN7  | R9  | GND  |
| H10 | DBP6  | S10 | GND  |
| H9  | DBN6  | S9  | GND  |

FOR LTC2000-11, LTC2000A-11  
PORT B INPUTS

|     |       |     |      |
|-----|-------|-----|------|
| A10 | DBP10 | K10 | DBP2 |
| A9  | DBN10 | K9  | DBN2 |
| B10 | DBP9  | L10 | DBP1 |
| B9  | DBN9  | L9  | DBN1 |
| C10 | DBP8  | M10 | DBP0 |
| C9  | DBN8  | M9  | DBN0 |
| D10 | DBP7  | N10 | GND  |
| D9  | DBN7  | N9  | GND  |
| E10 | DBP6  | P10 | GND  |
| E9  | DBN6  | P9  | GND  |
| F10 | DBP5  | Q10 | GND  |
| F9  | DBN5  | Q9  | GND  |
| G10 | DBP4  | R10 | GND  |
| G9  | DBN4  | R9  | GND  |
| H10 | DBP3  | S10 | GND  |
| H9  | DBN3  | S9  | GND  |

FOR LTC2000-16, LTC2000A-16  
PORT A INPUTS

|    |       |    |      |
|----|-------|----|------|
| A8 | DAP15 | K8 | DAP7 |
| A7 | DAN15 | K7 | DAN7 |
| B8 | DAP14 | L8 | DAP6 |
| B7 | DAN14 | L7 | DAN6 |
| C8 | DAP13 | M8 | DAP5 |
| C7 | DAN13 | M7 | DAN5 |
| D8 | DAP12 | N8 | DAP4 |
| D7 | DAN12 | N7 | DAN4 |
| E8 | DAP11 | P8 | DAP3 |
| E7 | DAN11 | P7 | DAN3 |
| F8 | DAP10 | Q8 | DAP2 |
| F7 | DAN10 | Q7 | DAN2 |
| G8 | DAP9  | R8 | DAP1 |
| G7 | DAN9  | R7 | DAN1 |
| H8 | DAP8  | S8 | DAP0 |
| H7 | DAN8  | S7 | DAN0 |


FOR LTC2000-14, LTC2000A-14  
PORT A INPUTS

|    |       |    |      |
|----|-------|----|------|
| A8 | DAP13 | K8 | DBP5 |
| A7 | DAN13 | K7 | DBN5 |
| B8 | DAP12 | L8 | DBP4 |
| B7 | DAN12 | L7 | DBN4 |
| C8 | DAP11 | M8 | DBP3 |
| C7 | DAN11 | M7 | DBN3 |
| D8 | DAP10 | N8 | DBP2 |
| D7 | DAN10 | N7 | DBN2 |
| E8 | DAP9  | P8 | DBP1 |
| E7 | DAN9  | P7 | DBN1 |
| F8 | DAP8  | Q8 | DBP0 |
| F7 | DAN8  | Q7 | DBN0 |
| G8 | DAP7  | R8 | GND  |
| G7 | DAN7  | R7 | GND  |
| H8 | DAP6  | S8 | GND  |
| H7 | DAN6  | S7 | GND  |

FOR LTC2000-11, LTC2000A-11  
PORT A INPUTS

|    |       |    |      |
|----|-------|----|------|
| A8 | DAP10 | K8 | DAP7 |
| A7 | DAN10 | K7 | DAN7 |
| B8 | DAP9  | L8 | DAP6 |
| B7 | DAN9  | L7 | DAN6 |
| C8 | DAP8  | M8 | DAP5 |
| C7 | DAN8  | M7 | DAN5 |
| D8 | DAP7  | N8 | DAP4 |
| D7 | DAN7  | N7 | DAN4 |
| E8 | DAP6  | P8 | DAP3 |
| E7 | DAN6  | P7 | DAN3 |
| F8 | DAP5  | Q8 | DAP2 |
| F7 | DAN5  | Q7 | DAN2 |
| G8 | DAP9  | R8 | DAP1 |
| G7 | DAN9  | R7 | DAN1 |
| H8 | DAP8  | S8 | DAP0 |
| H7 | DAN8  | S7 | DAN0 |

**DIGITAL INPUT PIN FUNCTION TABLES**

|                             |           |  |                                     |
|-----------------------------|-----------|--|-------------------------------------|
| <b>APPROVALS</b>            |           |  1630 McCarthy Blvd.<br>Milpitas, CA 95035<br>Phone: (408)432-1900 www.linear.com<br>Fax: (408)434-0507<br>LTC Confidential-For Customer Use Only |                                     |
| PCB DES.                    | M.HAWKINS |  |                                     |
| APP ENG.                    | C.MAYOTT  |  |                                     |
| IC NO.<br>SEE PAGE 1 TABLE  |           | TITLE: DEMO CIRCUIT SCHEMATIC,<br><b>LTC2000 HIGH SPEED DAC FMC ADAPTER</b>  |                                     |
| SKU NO.<br>SEE PAGE 1 TABLE |           | SIZE: B<br>SCALE = NONE  | PCA ASS'Y DWG:<br>705-DC2303A_REV02 |
|                             |           | SCHEMATIC NO. AND REVISION:<br>710-DC2303A_REV02   |                                     |
|                             |           | DATE: Monday, August 15, 2016  |                                     |
|                             |           | SHEET 5 OF 5   |                                     |