

6

5

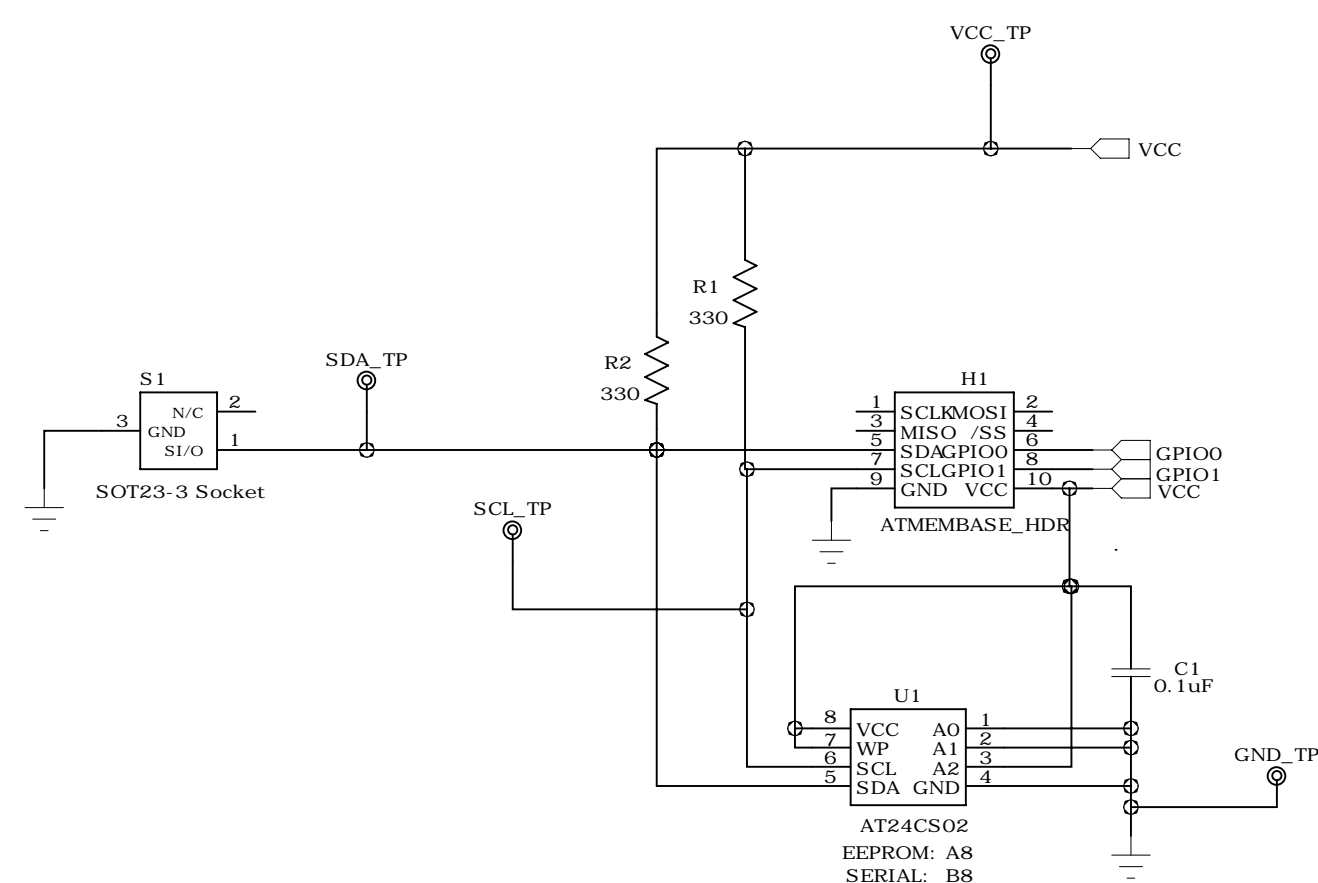
4

3

2

1

REVISION RECORD			
LTR	ECO NO.	APPROVED:	DATE:



MT1  
MTHOLE1  
↓  
MT2  
MTHOLE1  
↓

D

D

C

C

B

B

A

A

DRAWN: E.FASNACHT		DATED: 09-FEB-2017		COMPANY: 	
CHECKED:		DATED:		TITLE: SWI EVAL KIT TOP BOARD	
QUALITY CONTROL:		DATED:		CODE:	SIZE:
RELEASED:		DATED:		DRAWING NO: <b>03-10681</b>	
SCALE: NTS				REV: <b>1.0</b>	
SHEET: 1 OF 1					