

CliQ II DC-UPS Module

24 V 40 A / DRU-24V40ABN



Highlights & Features

- Full corrosion resistant aluminium casing
- Suitable for 24V system up to 40A
- Built-in diagnostic monitoring for DC OK, Discharge and Battery Fail by relay contacts
- LED indicator for DC OK, Battery Charging, Battery Discharging, Battery Fail and Battery Reverse Polarity
- High MTBF > 500,000 hrs as per Telcordia SR-332
- Conformal coating option on PCBAs to protect against common dust and chemical pollutants
- Certified according to IEC/EN/UL 62368-1

Safety Standards



CB Certified for worldwide use

Model Number:	DRU-24V40ABN
Unit Weight:	0.60 kg (1.32 lb)
Dimensions (L x W x D):	121 x 50 x 117.3 mm (4.76 x 1.97 x 4.62 inch)

General Description

The DRU-24V40ABN CliQ II DC-UPS module is designed to support 24 V system with up to 40 A output and back up time of 4.5 minutes for 15 AH battery capacity. It offers a wide input voltage from 24-28 V and a wide operating temperature range from -20°C to +60°C. This product comes with potential free contacts for battery management signals and LED indicator for battery status. The rugged compact aluminium case is shock and vibration resistant according to IEC 60068-2.

Model Information

CliQ II DC-UPS Module

Model Number	Input Voltage Range	Rated Output Voltage	Rated Output Current
DRU-24V40ABN	24-28 Vdc	24 Vdc typ. (Depends on V_{in})	40.0 A Max

Model Numbering

DR	U –	24V	40A	B	N
DIN Rail	DC-UPS Module	Output Voltage	Output Current	CliQ II Series	N - Metal Case, without Class I, Div 2

CliQ II DC-UPS Module

24 V 40 A / DRU-24V40ABN

Specifications

Input Ratings / Characteristics

Nominal Input Voltage		24 Vdc
Input Voltage Range		24-28 Vdc
Input Current	Charging Mode	2 A \pm 1 A
Charging Time*		< 3hr \pm 1hr for battery 24 V/15 AH
Efficiency	Charging Mode	> 70.0%
	Buffering Mode	> 99.0%
Max Power Dissipation	Standby Mode	< 1 W
	Charging Mode	< 13 W
	Buffering Mode	< 1 W

*Charging time depends on the last state of discharge w.r.t. buffering time and load current.

Output Ratings / Characteristics

Output Voltage Range		23-28 Vdc
Output Current		40.0 A Max
Output Power		960 W Max (24 V, 40 A)
Voltage Drop Between Input and Output	Charging Mode	0 V between DC input to load
	Buffering Mode	0.1 V between battery to load @ 40 A load

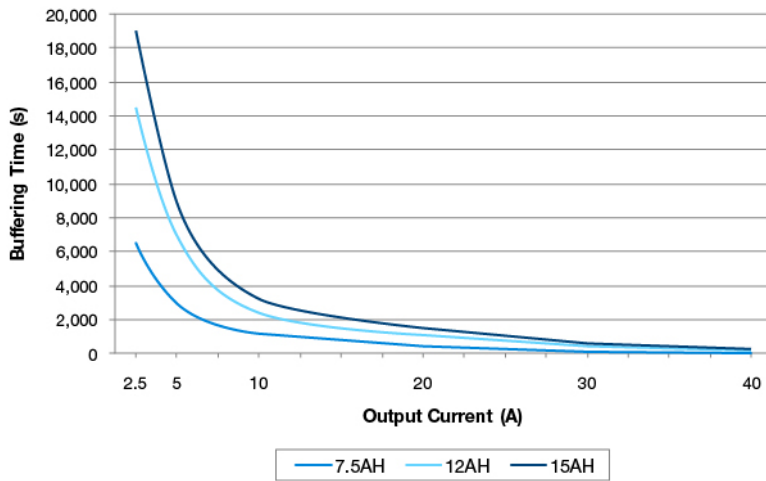
Battery Input / Output Characteristics

Nominal Battery Voltage	24 Vdc, SLA Sealed lead acid battery 2 x 12 Vdc, SLA Sealed lead acid battery
Battery Voltage Range	23-28 Vdc (continuously operating) 30 Vdc Max (the maximum voltage that will not cause damage to the unit) 14 Vdc Min (the voltage level of battery to enable "BAT Fail" function)
Battery Capacity	7.5 AH/ 12 AH/ 15 AH
Battery Fuse	Auto 50 A; type FK3 (Littelfuse), MAX (Dong Guan ANDU), 1541 (Glorytech) or similar in the battery path. The battery fuse protects the wires between the battery and the unit.
Battery Charging Mode	CC-mode (constant current) at 2 A
End-of-Charge Voltage	The unit always charge with fix input voltage value

CliQ II DC-UPS Module

24 V 40 A / DRU-24V40ABN

Buffering Time



Output Current	Buffering Time		
	7.5 AH	12 AH	15 AH
2.5 A	6,500 s	14,500 s	19,000 s
5 A	3,000 s	7,000 s	9,000 s
10 A	1,200 s	2,400 s	3,200 s
20 A	400 s	1,100 s	1,500 s
30 A	120 s	450 s	600 s
40 A	25 s	200 s	280 s

Fig. 1 Buffering Time VS. Output Current

Mechanical

Case Cover / Chassis	Aluminium		
Dimensions (L x W x D)	121 x 50 x 117.3 mm (4.76 x 1.97 x 4.62 inch)		
Unit Weight	0.60 kg (1.32 lb)		
LED Indicator	Green LED	DC OK, Battery Charging (flash)	
	Red LED	Battery Fail	
	Orange LED	Reverse polarity, Battery Discharging (flash)	
Cooling System	Convection		
Terminal	Input & Output / Battery	4 Pins (Rated 600 V/60 A)	
	Signal	6 Pins (Rated 300 V/27 A)	
Wire	Input & Output / Battery	AWG 12-6	Load: 0-20 A
		AWG 8-6	Load: 20-40 A
	Signal	AWG 24-12	
Mounting Rail	Standard TS35 DIN Rail in accordance with EN 60715		
Noise (1 Meter from power supply)	Sound Pressure Level (SPL) < 40 dBA		

CliQ II DC-UPS Module

24 V 40 A / DRU-24V40ABN

Environment

Surrounding Air Temperature	Operating	-20°C to +60°C (full power)
	Storage	-40°C to +85°C
Operating Humidity		5 to 95% RH (Non-Condensing)
Operating Altitude		0 to 3,000 Meters (9,840 ft)
Shock Test	Non-Operating	IEC 60068-2-27, 30 G (300 m/S ²) for a duration of 18 ms, 1 time per direction, 2 times in total
Vibration	Non-Operating	IEC 60068-2-6, 10 Hz to 500 Hz @ 30 m/S ² (3 G peak); 60 min per axis for all X, Y, Z direction
Pollution Degree		2

Protections

Overvoltage	Buffering Mode	29.5-30.5 V will not cause damage to the unit, Latch Mode
Overload / Overcurrent	Buffering Mode	42-52 A, Latch Mode
Over Temperature	Buffering Mode	< 90°C Surrounding Air Temperature inside the unit, Latch Mode
Short Circuit (at system)	Buffering Mode	Shutdown, Latch Mode
Input Polarity Protection*		Yes (DC OK = open contact, LED Status = Orange)
Battery Polarity Protection*		Yes (DC OK = open contact, LED Status = Orange)
Wrong Battery Voltage Protection		Yes, 30 Vdc Max (the maximum voltage that will not cause damage to the unit)
Deep Discharge Protection		Yes (23 V ± 0.5 V)**
Degree of Protection		IP 20
Protection Against Shock		Class III

*If the orange status LED is on, this indicates a failure in the installation. In this case, do not turn on power supply while the battery is connected. Danger of explosion!

**The unit will stop operating when the battery voltage detected is less than 23 V ± 0.5 V.

Reliability Data

MTBF	> 500,000 hrs. as per Telcordia SR-332
------	--

CliQ II DC-UPS Module

24 V 40 A / DRU-24V40ABN

Safety Standards / Directives

Electrical Equipment of Machines		EN/BS EN 60204-1
Electrical Equipment for Use in Electrical Power Installations		IEC/EN/BS EN 62477-1 / IEC 62103
Safety Entry Low Voltage		SELV (EN 60950-1) PELV (EN 60204-1, EN 62477-1)
Electrical Safety	SIQ Bauart	EN 62368-1
	UL/cUL recognized	UL 60950-1 and CSA C22.2 No. 60950-1 (File No. E191395) UL 62368-1 and CSA C22.2 No. 62368-1 (File No. E191395)
	CB scheme	IEC 60950-1, IEC 62368-1
	KC	K 60950-1
	UKCA	BS EN 62368-1
Industrial Control Equipment	UL/cUL listed	UL 508 and CSA C22.2 No. 107.1-16 (File No. E315355)
	CSA	CSA C22.2 No. 107.1-16 (File No. 181564)
CE		In conformance with EMC Directive 2014/30/EU and Low Voltage Directive 2014/35/EU
UKCA		In conformance with Electrical Equipment (Safety) Regulations 2016 No. 1011 and The Electromagnetic Compatibility Regulations 2016 No. 1091
Galvanic Isolation	Power Port to Housing	1.0 KVac
	Signal Port to Housing	1.0 KVac
	Power Port to Signal Port	1.0 KVac

EMC

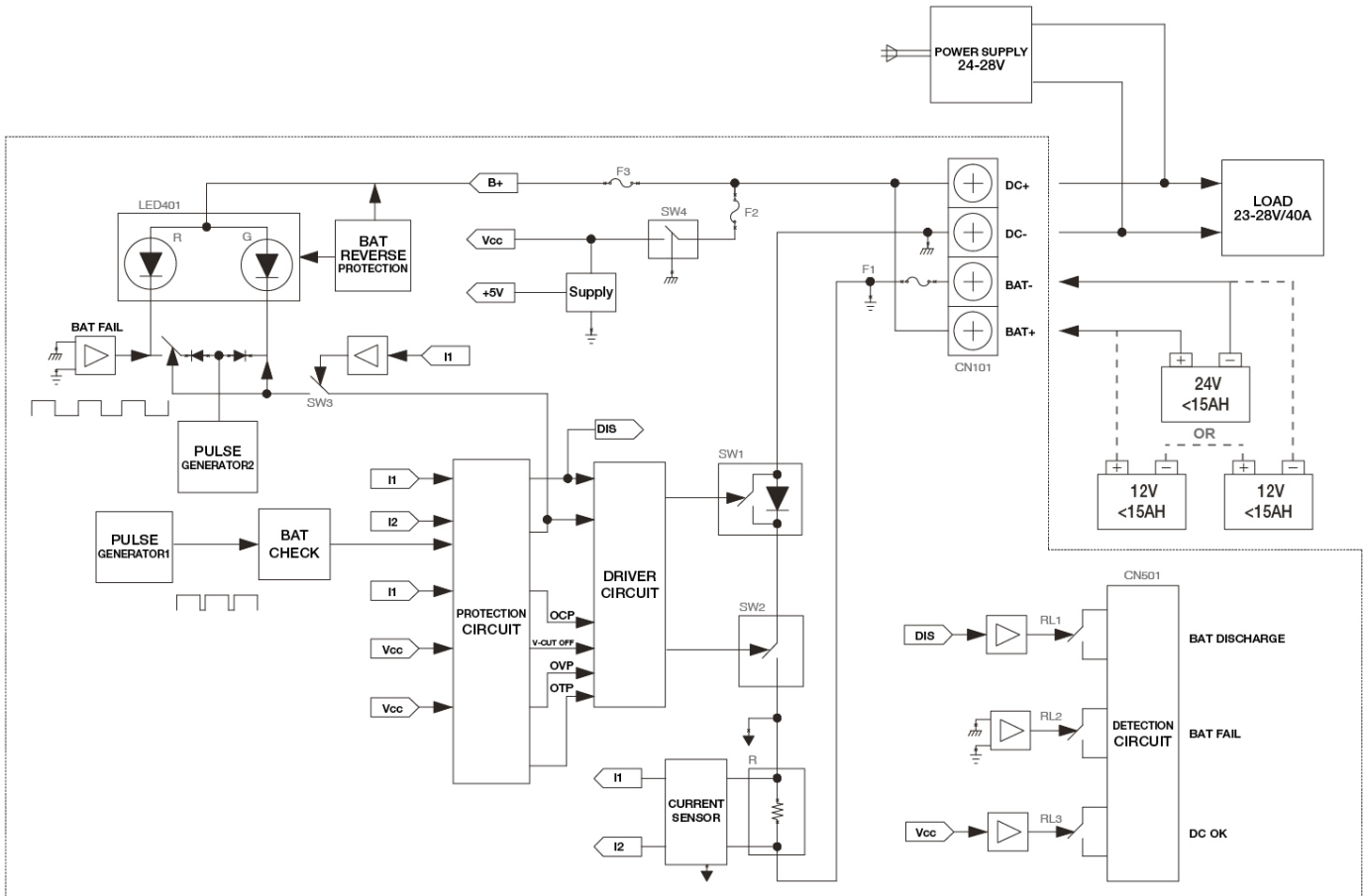
Emissions (CE & RE)		Generic Standards: CISPR 32, EN/BS EN 55032, KN32, EN/BS EN 55011, FCC Title 47: Class B
Component Power Supply for General Use		EN/BS EN 61204-3
Immunity		Generic Standards: EN/BS EN 55024, KN 35, EN/BS EN 61000-6-2
Electrostatic Discharge	IEC 61000-4-2	Level 4 Criteria A ¹⁾ Air Discharge: 15 kV Contact Discharge: 8 kV
Radiated Field	IEC 61000-4-3	Level 3 Criteria A ¹⁾ 80 MHz-1 GHz, 10 V/M, 80% modulation (1 KHz) 1.4 GHz-2 GHz, 3 V/M, 80% modulation (1 KHz) 2 GHz-2.7 GHz, 1 V/M, 80% modulation (1 KHz)
Electrical Fast Transient / Burst	IEC 61000-4-4	Level 3 Criteria A ¹⁾ 2 kV (Input power ports)
Surge	IEC 61000-4-5	Level 3 Criteria A ¹⁾ 0.5 kV (Input power ports)
Conducted	IEC 61000-4-6	Level 3 Criteria A ¹⁾ 150 kHz-80 MHz, 10 Vrms
Power Frequency Magnetic Fields	IEC 61000-4-8	Criteria A ¹⁾ 10 A/Meter

1) Criteria A: Normal performance within the specification limits

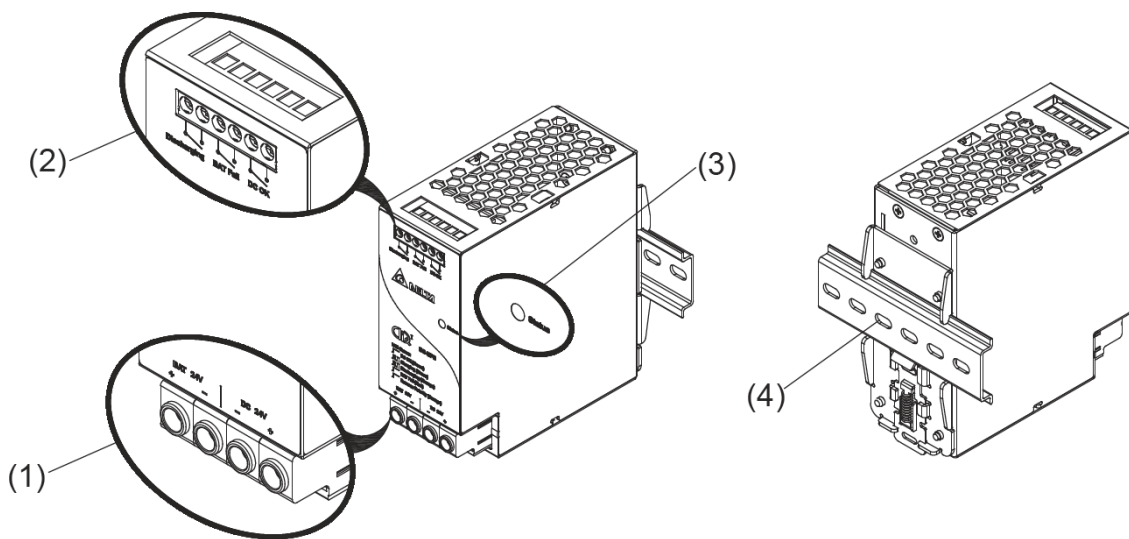
CliQ II DC-UPS Module

24 V 40 A / DRU-24V40ABN

Block Diagram



Device Description



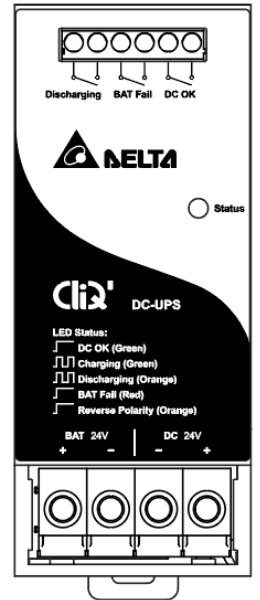
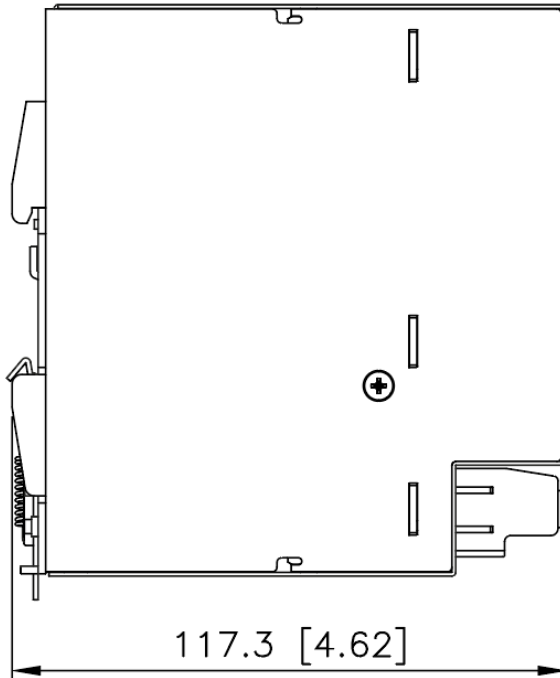
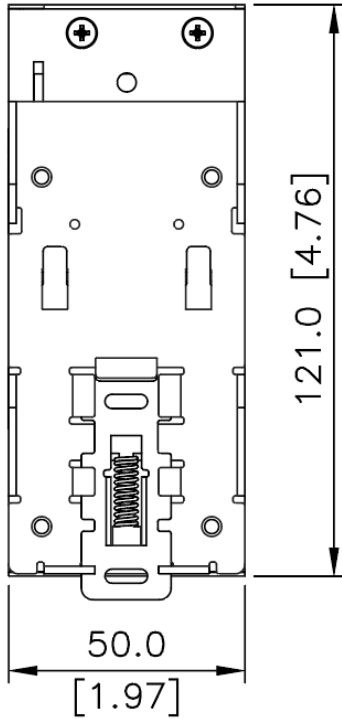
- 1) Input & Output / Battery terminal block connector
- 2) Signal terminal block connector
- 3) LED display status
- 4) Universal mounting rail system

CliQ II DC-UPS Module

24 V 40 A / DRU-24V40ABN

Dimensions

L x W x D: 121 x 50 x 117.3 mm (4.76 x 1.97 x 4.62 inch)

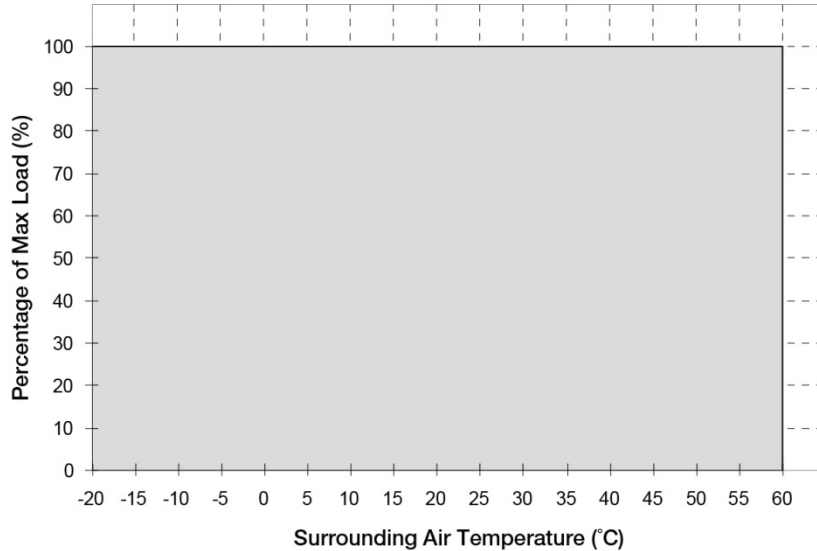


CliQ II DC-UPS Module

24 V 40 A / DRU-24V40ABN

Engineering Data

Output Load De-rating VS Surrounding Air Temperature



Note

1. The unit may degrade, or be damaged, when it is continuously used outside the shaded region, refer to the graph shown in Fig. 2.
2. When the DC-UPS module is used with power supply of different ratings, user must follow power supply derating curve or whichever is lower.
3. In order for the device to function in the manner intended, it is also necessary to keep a safety distance as recommended in the safety instructions while the device is in operation.
4. Depending on the surrounding air temperature and output load delivered by the power supply, the device can be very hot!
5. If the device has to be mounted in any other orientation, please contact info@deltapsu.com for more details.

Fig. 2 No power de-rating across the entire operating temperature range (-20°C to +60°C)

Assembly & Installation

The unit can be mounted on 35mm DIN rails in accordance with EN 60715. For Vertical Mounting, the device should be installed with Input / Output terminal block on the bottom. For Horizontal Mounting, the device should be installed with Input / Output terminal block on the left side.

Each device is delivered ready to install.

Mounting

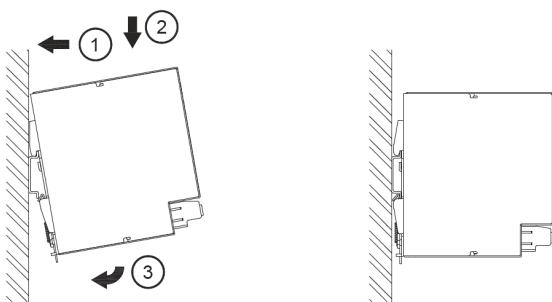


Fig. 3.1 Mounting

Snap on the DIN rail as shown in Fig. 3.1:

1. Tilt the unit upwards and insert it onto the DIN rail.
2. Push downwards until stopped.
3. Press against the bottom front side for locking.
4. Shake the unit slightly to ensure that it is secured.

Dismounting

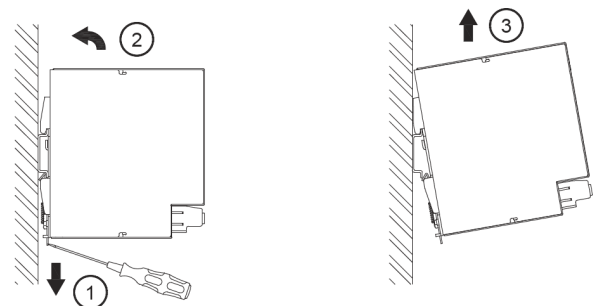


Fig. 3.2 Dismounting

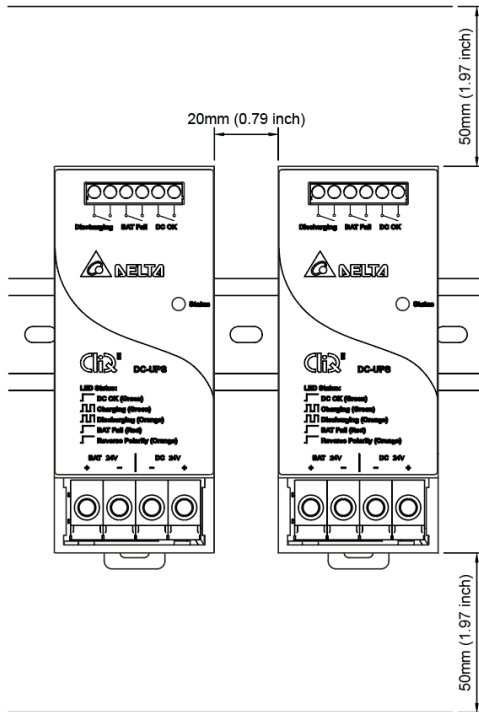
To uninstall, pull or slide down the latch with screw driver as shown in Fig. 3.2. Then slide the unit in the opposite direction, release the latch and pull out the unit from the rail.

CliQ II DC-UPS Module

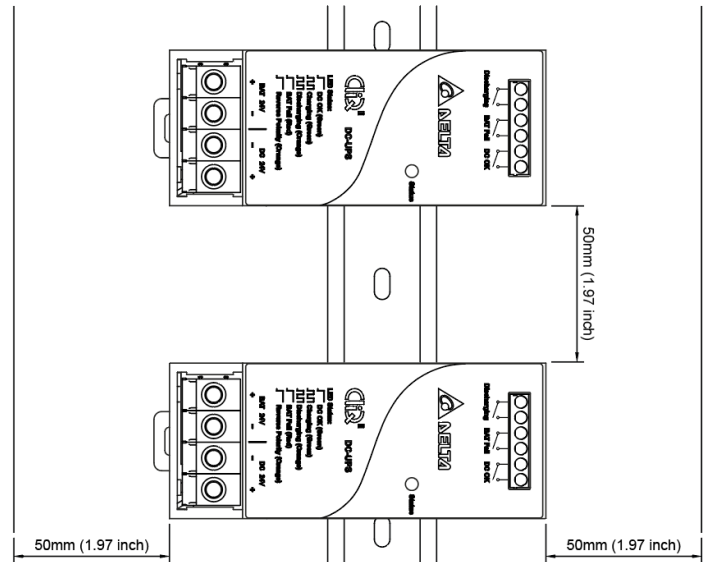
24 V 40 A / DRU-24V40ABN

Safety Instructions

■ Vertical Mounting



■ Horizontal Mounting



- When replacing batteries, only use the same type of batteries listed under the “Battery Input / Output Characteristics” section on Page 2.
- Proper disposal of batteries is required. Refer to the relevant local codes for disposal requirements.
- ALWAYS switch mains of input power OFF before connecting and disconnecting the input voltage to the unit. If mains are not turned OFF, there is risk of explosion / severe damage.
- If the orange status LED is on, this indicates a failure in the installation. In this case, do not turn on power supply while the battery is connected. Danger of explosion!
- **To guarantee sufficient convection cooling, please refer to the following instructions to ensure sufficient clearance around the device.**
Vertical Mounting: 50mm (1.97 inch) above and below the device as well as a lateral distance of 20mm (0.79 inch) to other units.
Horizontal Mounting: 50mm (1.97 inch) above and below the device as well as a lateral distance of 50mm (1.97 inch) to other units.
- Note that the enclosure of the device can become very hot depending on the surrounding air temperature and load of the power supply. Risk of burns!
- The main power must be turned off before connecting or disconnecting wires to the terminals!
- DO NOT insert any objects into the unit.
- Hazardous voltages may be present for up to 5 minutes after the input mains voltage is disconnected. Do not touch the unit during this time.
- The unit is a built-in unit and must be installed in a cabinet or room (condensation free environment and indoor location) that is relatively free of conductive contaminants.

CliQ II DC-UPS Module

24 V 40 A / DRU-24V40ABN

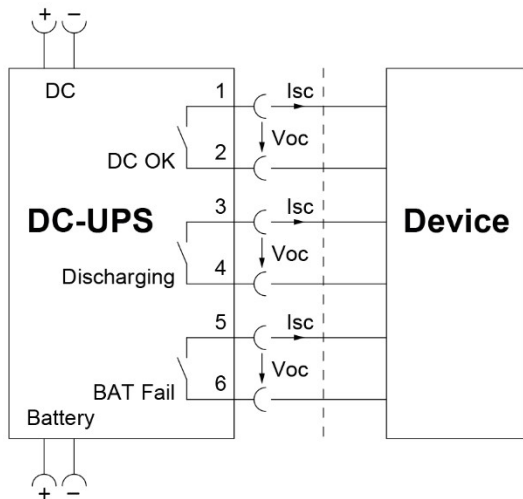
Functions

Relay Contacts Characteristics

Max Relay Contact Rating		24 Vdc/Vac, 1.0 A
DC BUS OK	Relay Contact	"DC OK" contact is closed when the DC input voltage is within 24-28V ($\pm 10\%$) range or the battery voltage is within 23-28V range
	LED Indicator	ON (Green)
Charging	Relay Contact	"DC OK" contact is closed when the unit is in charging mode
	LED Indicator	Flashing (Green)
Battery Discharge*	Relay Contact	"Discharging" contact is closed when the unit is in buffering mode
	LED Indicator	Flashing (Orange)
Battery Fail	Relay Contact	"BAT Fail" contact is closed when the battery fails to function or battery voltage is less than 14V
	LED Indicator	ON (Red)
Battery Reverse Polarity	Relay Contact	"DC OK" contact is opened when the battery is in reverse polarity
	LED Indicator	ON (Orange)

* Relay contact & LED indicator are functional with output current from 3 A to 40 A range, < 3 A it is intermittent.

Signals Wiring Diagram



DC-UPS Status	Relay Output Connector			LED Display Status
	Discharging	BAT Fail	DC OK	
Battery Charging	Open	Open	Close	Flashing (Green)
Battery Fully Charged	Open	Open	Close	ON (Green)
Battery Discharging* (Buffering Mode)	Close*	Open	Close	Flashing (Orange)
No Battery Connected**	Open	Close	Open	ON (Red)
Output Shutdown	Open	Open	Open	OFF

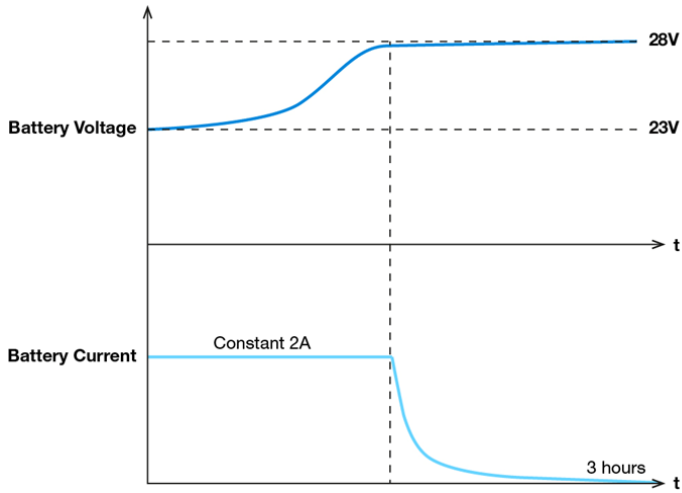
*With output current 3 A to 40 A.

** If no battery connected, there is 12 Vdc typ. at B+/B- connector.

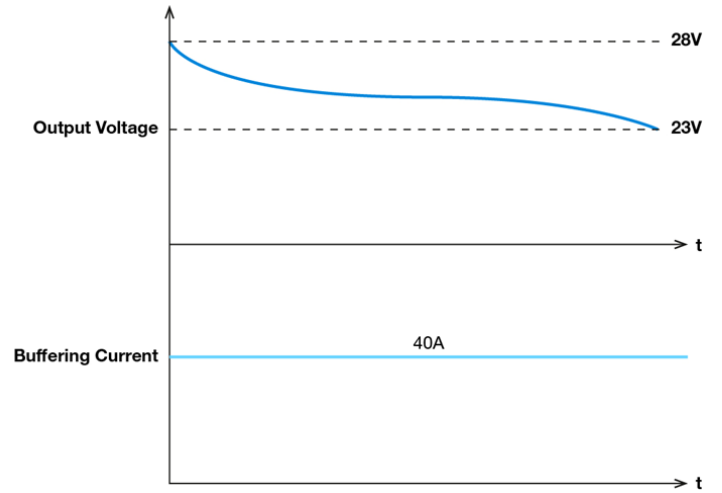
CliQ II DC-UPS Module

24 V 40 A / DRU-24V40ABN

Charging Mode



Buffering Mode



Typical Application Notes

Fig. 4.1 Provide backup power during AC source interruption or failure

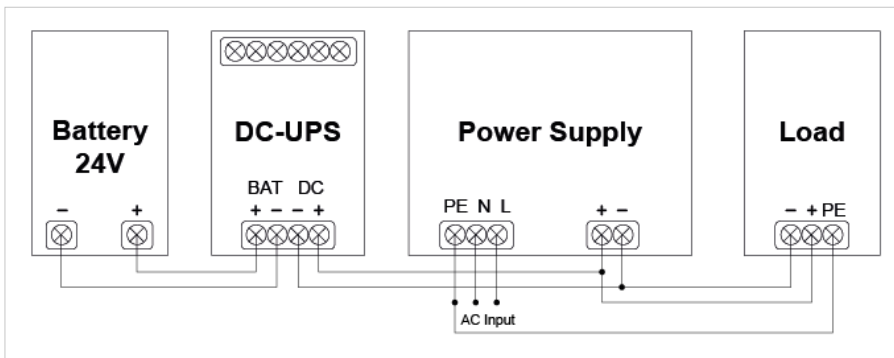
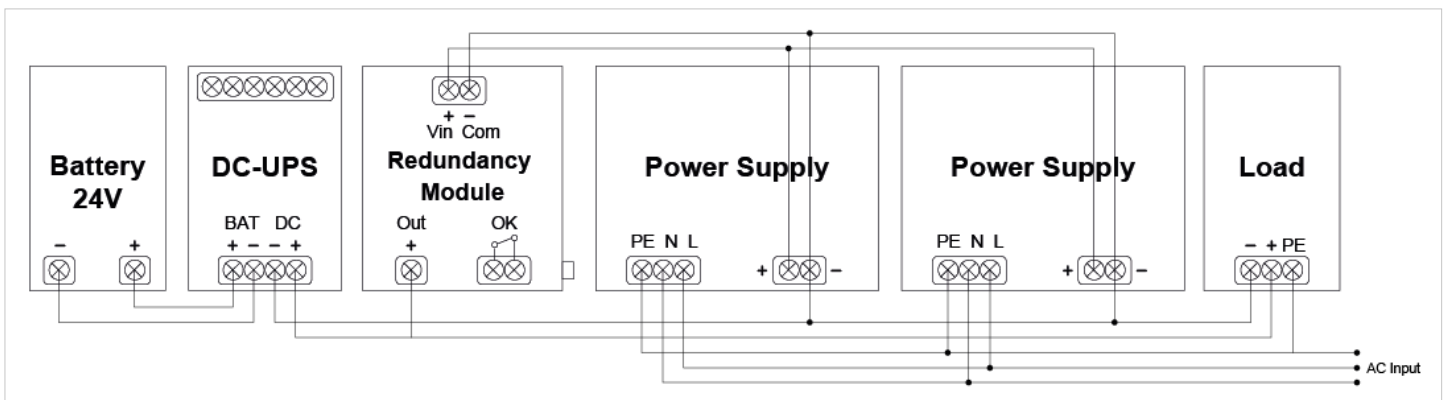


Fig. 4.2 Can be combined with redundancy module (DRR-40A)

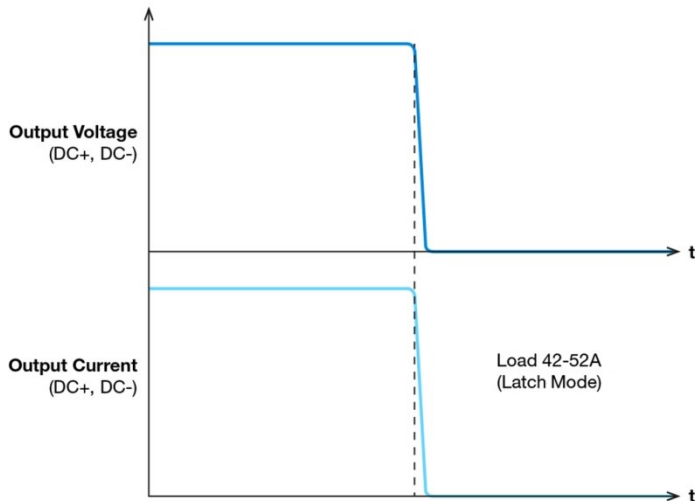


CliQ II DC-UPS Module

24 V 40 A / DRU-24V40ABN

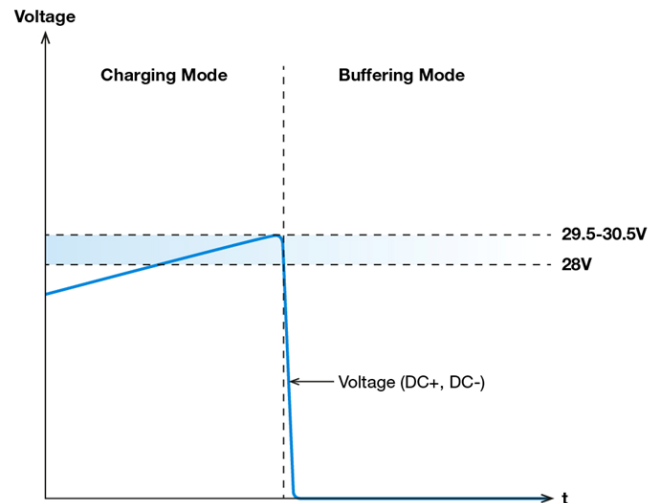
Overload & Overcurrent Protections (Latch Mode)

When the output current exceeds the maximum specified output current. The DC-UPS module will shut down and protect itself. Normal operation of the module can be resumed upon removal of fault and re-application of input voltage.



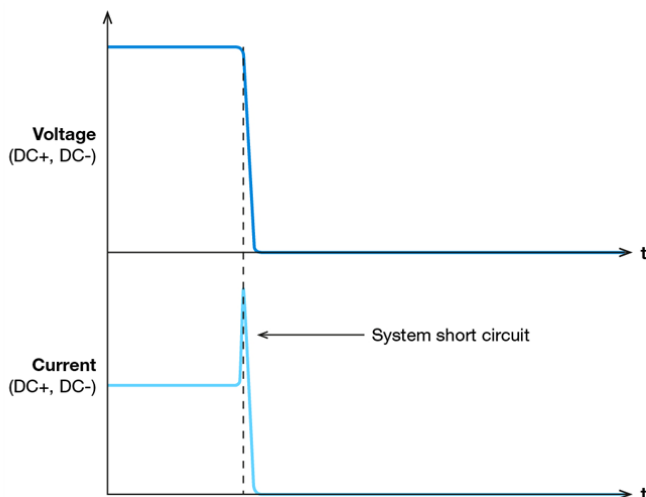
Overvoltage Protection (Latch Mode)

The DC-UPS module's overvoltage protection will be activated when DC input to the module exceeds the maximum specified input voltage. The unit shall shutdown and return to normal state when the OVP condition is removed. Removal/re-application of input voltage will then be required in order to restart.



Short Circuit Protection (Latch Mode)

The module is protected in case of short circuit at customer system, in the event of short circuit the module will shut down and protect itself. Normal operation can be resumed upon removal of fault and re-application of input voltage.



Over Temperature Protection (Latch Mode)

In the event of a higher operating temperature at 100% load, the power supply will run into OTP when the operating temperature is beyond what is recommended in the de-rating graph. When activated, the output voltage will shut down and remain in off state until the temperature drops to its normal operating temperature as recommended in the de-rating graph. Removal/re-application of input voltage will then be required in order to restart.

CliQ II DC-UPS Module

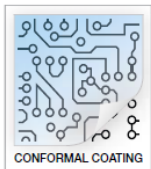
24 V 40 A / DRU-24V40ABN

Troubleshooting

Problem	Possible Cause	Suggestion
Orange LED is ON (While other connections are not done)	Battery connection is reverse polarity.	Check polarity connection and make corrections.
DRU does not operate in charging mode after input is applied	Input wiring is open or input voltage to the supply is not available.	Check wiring and voltage of input supply.
	Internal fuse is opened.	Contact your local Delta sales support group.
DRU does not operate in buffering mode after input is collapsed	Battery wiring is not connected or opened.	Check battery wiring and compare with Typical Application Notes in this DRU datasheet. Make corrections as needed.
	Battery does not have enough time to be charged and it is still below the continuous operating voltage range.	Check battery voltage and compare with minimum required battery voltage provided in this DRU datasheet.
	Protection mode enable.	Check DRU condition with protection condition.
Relay contact status does not match with LED status	DRU has some problem.	Contact your local Delta sales support group.

Others

Conformal Coating



The Protective Coating Technology

Delta Electronics Group has designed the perfect dipping technique which penetrates everywhere including under device, and prevents leakage. The conformal coating dipping can be applied to PCBs or circuit board. The coating preserves the performance of precision electronic primarily by preventing ionizable contaminants such as salt from reaching circuit nodes, where the material slumps around sharp edges. This can be a problem especially in highly conversing atmosphere.

Attention

Delta provides all information in the datasheets on an “AS IS” basis and does not offer any kind of warranty through the information for using the product. In the event of any discrepancy between the information in the catalog and datasheets, the datasheets shall prevail (please refer to www.DeltaPSU.com for the latest datasheets information). Delta shall have no liability of indemnification for any claim or action arising from any error for the provided information in the datasheets. Customer shall take its responsibility for evaluation of using the product before placing an order with Delta.

Delta reserves the right to make changes to the information described in the datasheets without notice.

Manufacturer and Authorized Representatives Information

Manufacturer

Thailand
Delta Electronics (Thailand) PCL.
909 Pattana 1 Rd., Muang, Samutprakarn, 10280 Thailand

Taiwan
Delta Electronics, Inc.
3 Tungyuan Road, Chungli Industrial Zone, Taoyuan County
32063, Taiwan

Authorized Representatives

The Netherlands
Delta Greentech (Netherlands) B.V.
Zandsteen 15, 2132 MZ Hoofddorp, The Netherlands

United Kingdom
Delta Electronics Europe Limited
1 Redwood Court, Peel Park Campus,
East Kilbride, Glasgow, G74 5PF, United Kingdom