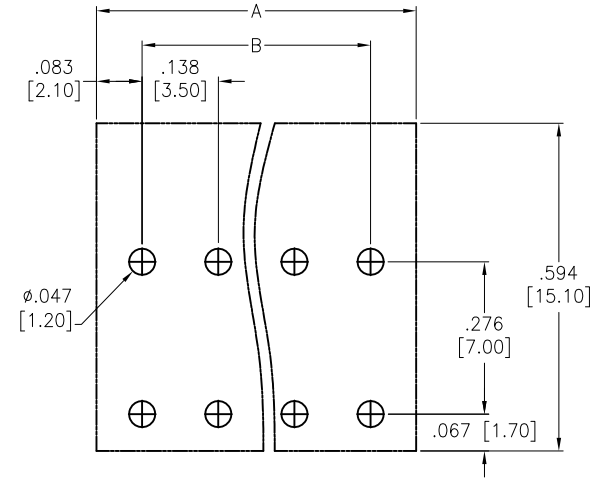
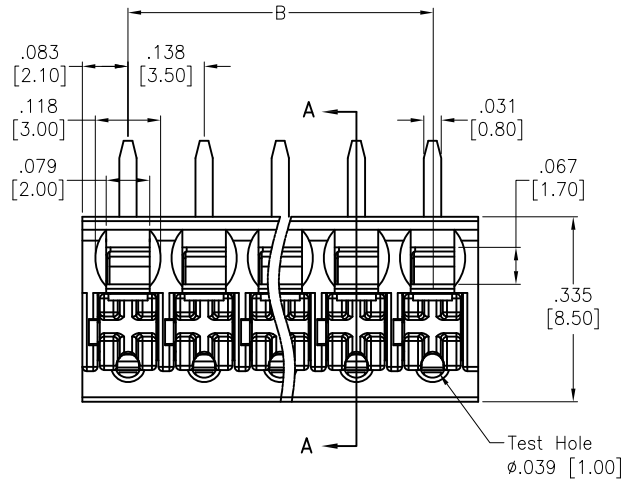
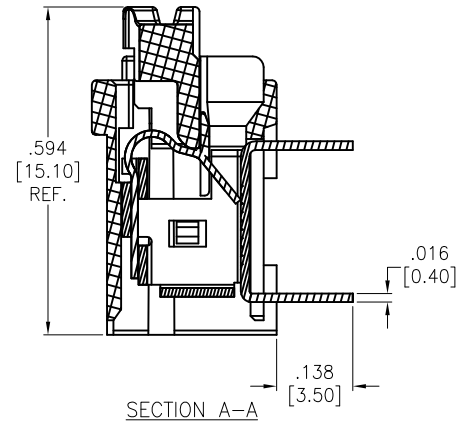
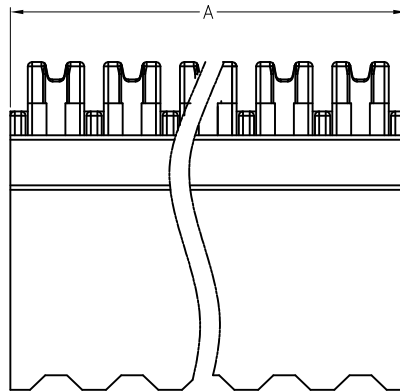
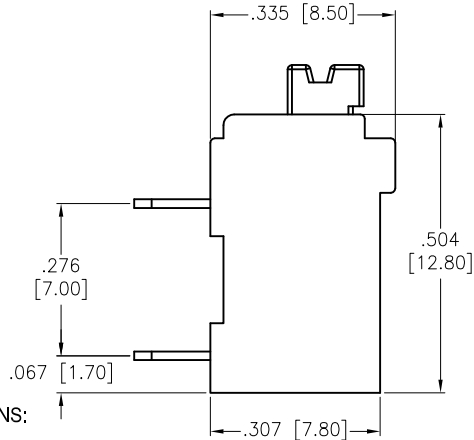


APPROVED: _____
 DATE: _____ TITLE: _____

Rev	AWO #	Description	Date	Appr
-		RELEASED	1/19/17	



RECOMMENDED PCB LAYOUT



SPECIFICATIONS:

Material:
 Insulator: Thermoplastic, rated UL 94V-0
 Insulator color: Black
 Lever: Thermoplastic, rated UL 94V-0, Color: White
 Contact: Brass, Tin plated
 Wire guard: Stainless Steel
Electrical:
 Voltage rating: 300V
 Current rating: 10A
 Withstanding Voltage: 1.6KV
Mechanical:
 Solid wire (AWG): 16-24
 Stranded wire (AWG): 16-24
 Wire Strip length(mm): 12-13
 Temperature Rating:
 Operating temperature: -40°C to +115°C
ENVIRONMENTAL:
 Lead free, rohs compliant.



	Tolerance
2-6P	±.006 [0.15]
7-12P	±.008 [0.20]
13-18P	±.012 [0.30]
19-24P	±.016 [0.40]

Positions: 2 thru 24

A = .135 [3.50] x No. of Positions + .028 [0.70]

B = .135 [3.50] x No. of Spaces

UNLESS OTHERWISE SPECIFIED ALL DIMENSIONS ARE INCHES [MM] TOLERANCES: EXCEPT AS NOTED			
INCHES		HOLES	
.X	± .10	Ø.X	± .10
.XX	± .020	Ø.XX	± .015
.XXX	± .015	Ø.XXX	± .010

ADAM TECH
 909 Rahway Avenue, Union, NJ 07083
 Phone: 908-687-5000 Fax: 908-687-5710

TITLE: EURO BLOCK, .135 [3.50] PITCH

DRAWN	AY	DATE	1/19/17
CHECKED	MY	DATE	1/19/17
APPROVED			

SIZE	PART NO.	REV.
X	EB142-XX-A-90	-

REF: S00007T SCALE: NTS SHEET 1 OF 1