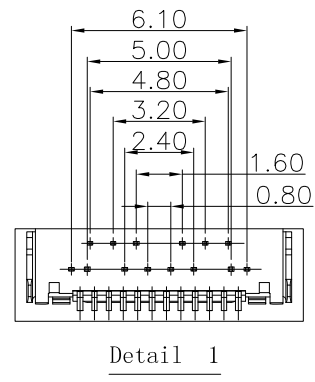
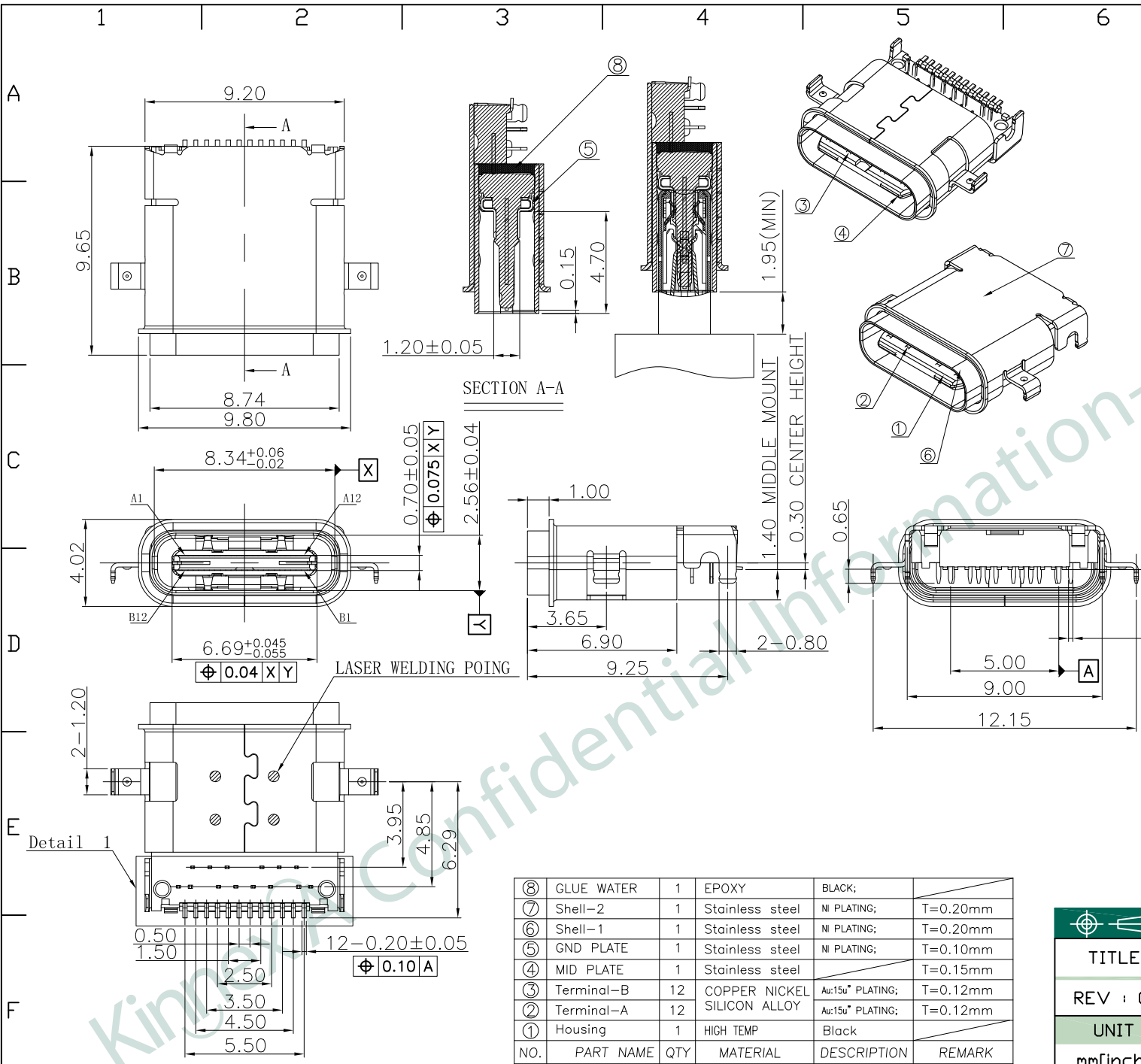


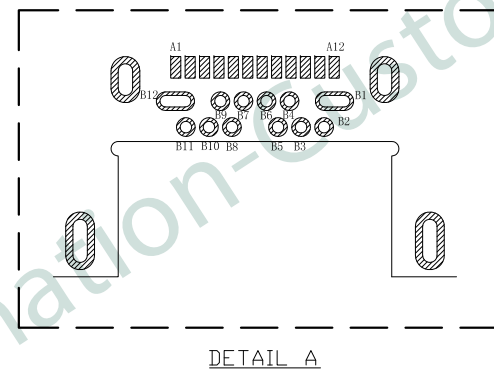
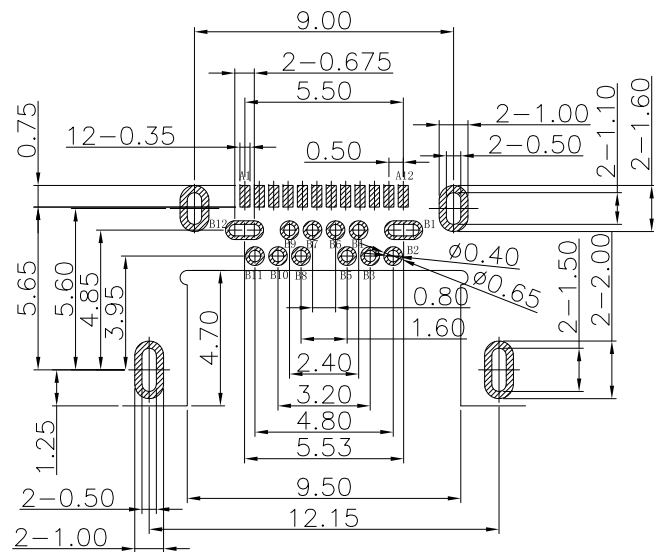
REV.	DATE	DESCRIPTION
01	Sep. 11, '17	1st RELEASE

- NOTES
- MATERIAL: SEE TABLE
  - FINISH: SEE TABLE
  - ELECTRICAL:
    - 3-1. CONTACT CURRENT RATING:  
5A(VBUS PIN 1.5A/PIN),  
5A(GND PIN 1.25A/PIN MAX),  
0.25A/PIN(OTHER PIN)
    - 3-2. INSULATION RESISTANCE:  
100 MEGOHMS MIN. AT 250VDC
    - 3-3. DIELECTRIC WITHSTANDING VOLTAGE:  
100VAC MIN.
    - 3-4. LOW LEVEL CONTACT RESISTANCE:  
INITIAL 40m MAX.  
AFTER 50m MAX.
  - MECHANICAL CHARACTERISTICS:
    - 4-1. MATING FORCE: 5~20N
    - 4-2. UNMATING FORCE: 8~20N(INITIAL),  
6~20N(AFTER 10000 CYCLES)
    - 4-3. DURABILITY: 10,000 MATING CYCLES
    - 4-4. OPERATING TEMPERATURE: -40°C TO +80°C
  - UNSPECIFIED TOLERANCE: .XX ±0.20  
.X ±0.30



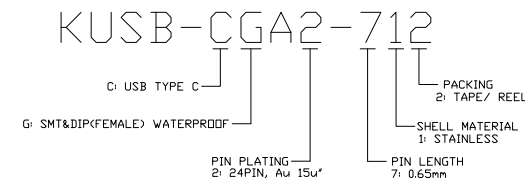
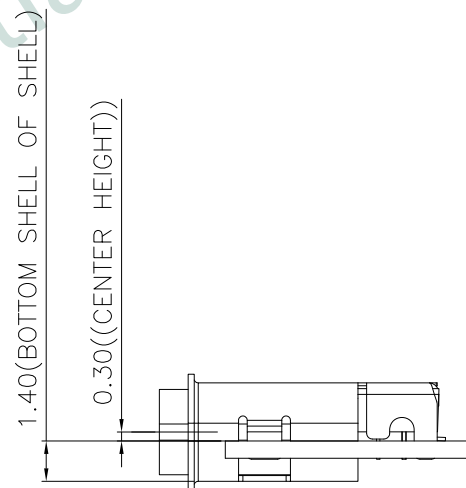
⑧	GLUE WATER	1	EPOXY	BLACK;	
⑦	Shell-2	1	Stainless steel	NI PLATING;	T=0.20mm
⑥	Shell-1	1	Stainless steel	NI PLATING;	T=0.20mm
⑤	GND PLATE	1	Stainless steel	NI PLATING;	T=0.10mm
④	MID PLATE	1	Stainless steel		T=0.15mm
③	Terminal-B	12	COPPER NICKEL SILICON ALLOY	Au:15u* PLATING;	T=0.12mm
②	Terminal-A	12	COPPER NICKEL SILICON ALLOY	Au:15u* PLATING;	T=0.12mm
①	Housing	1	HIGH TEMP	Black	
NO.	PART NAME	QTY	MATERIAL	DESCRIPTION	REMARK

PART NO		KUSB-CGA2-712		
TITLE	USB TYPE-C(F) SMT&DIP WATERPROOF, 24PIN			
REV : 01				
UNIT	DRAWN	CHKD	DATE	SHEET
mm[inch]	CINDY	DANIEL	Sep. 11, '17	1 of 2



RECOMMENDED P.C.B. LAYOUT (T=0.60mm)  
TOLERANCE UNSPECIFIED ±0.05mm

Pin	Signal Name	Mating Sequence	Pin	Signal Name	Mating Sequence
A1	GND	First	B12	GND	First
A2	SSTXp1	Second	B11	SSRXp1	Second
A3	SSTXn1	Second	B10	SSRXn1	Second
A4	Vbus	First	B9	Vbus	First
A5	CC1	Second	B8	SBU2	Second
A6	Dp1	Second	B7	Dn2	Second
A7	Dn1	Second	B6	Dp2	Second
A8	SBU1	Second	B5	CC2	Second
A9	Vbus	First	B4	Vbus	First
A10	SSRXn2	Second	B3	SSTXn2	Second
A11	SSRXp2	Second	B2	SSTXp2	Second
A12	GND	First	B1	GND	First
SHELL	GND		SHELL	GND	



PART NO		KUSB-CGA2-712		
TITLE	USB TYPE-C(F) SMT&DIP WATERPROOF, 24PIN			
REV : 01				
UNIT	DRAWN	CHKD	DATE	SHEET
mm[inch]	CINDY	DANIEL	Sep. 11, '17	2 of 2