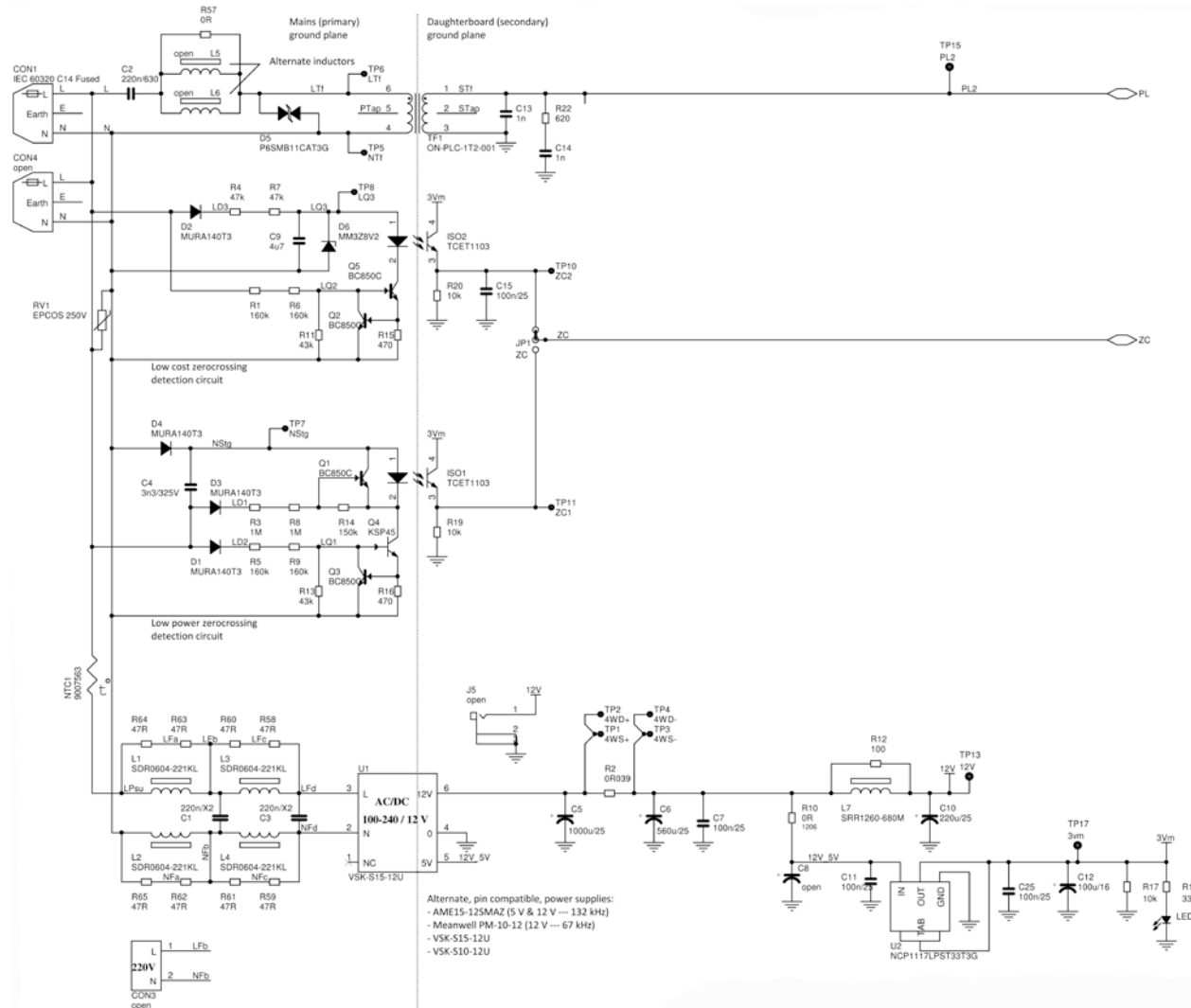
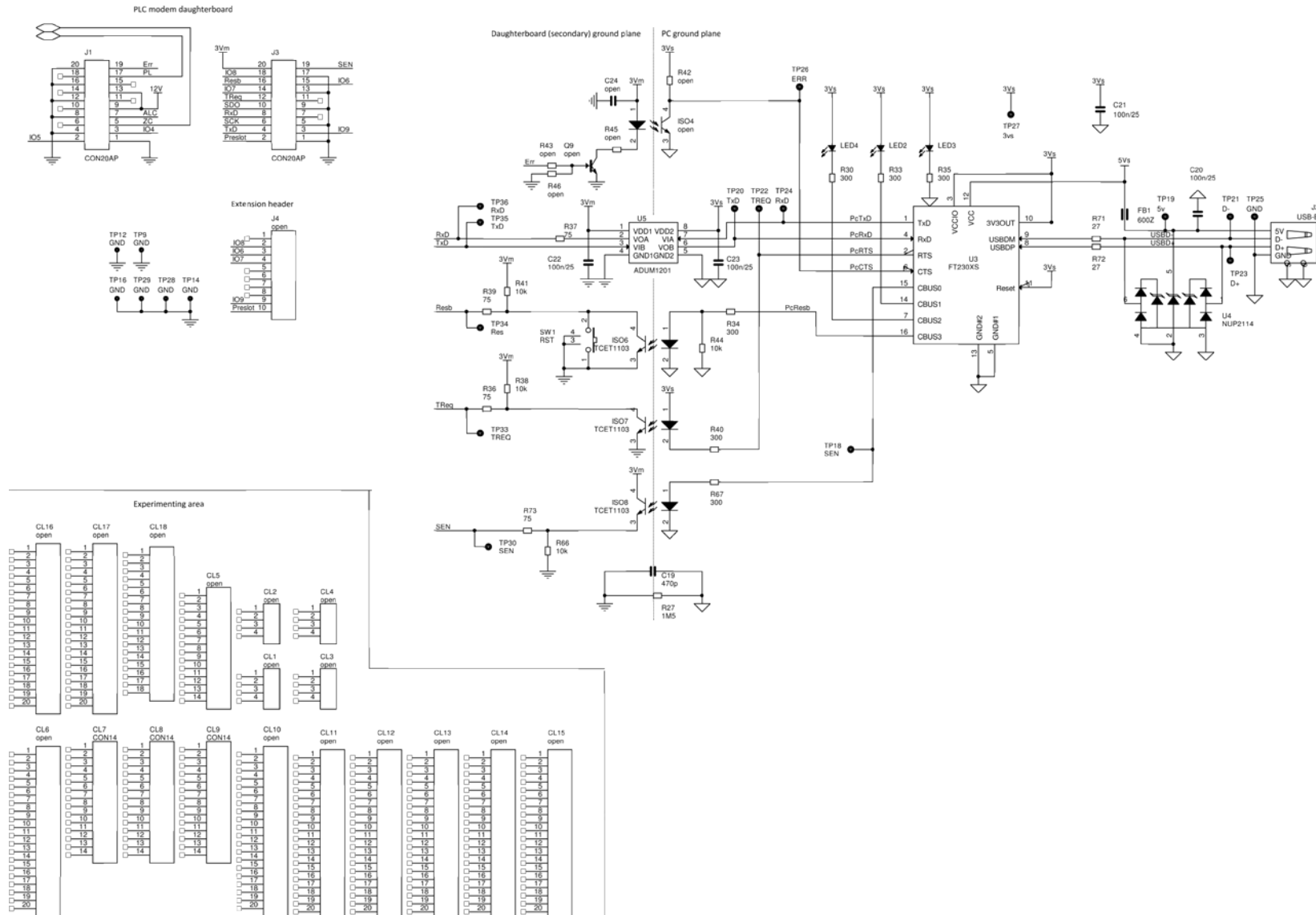


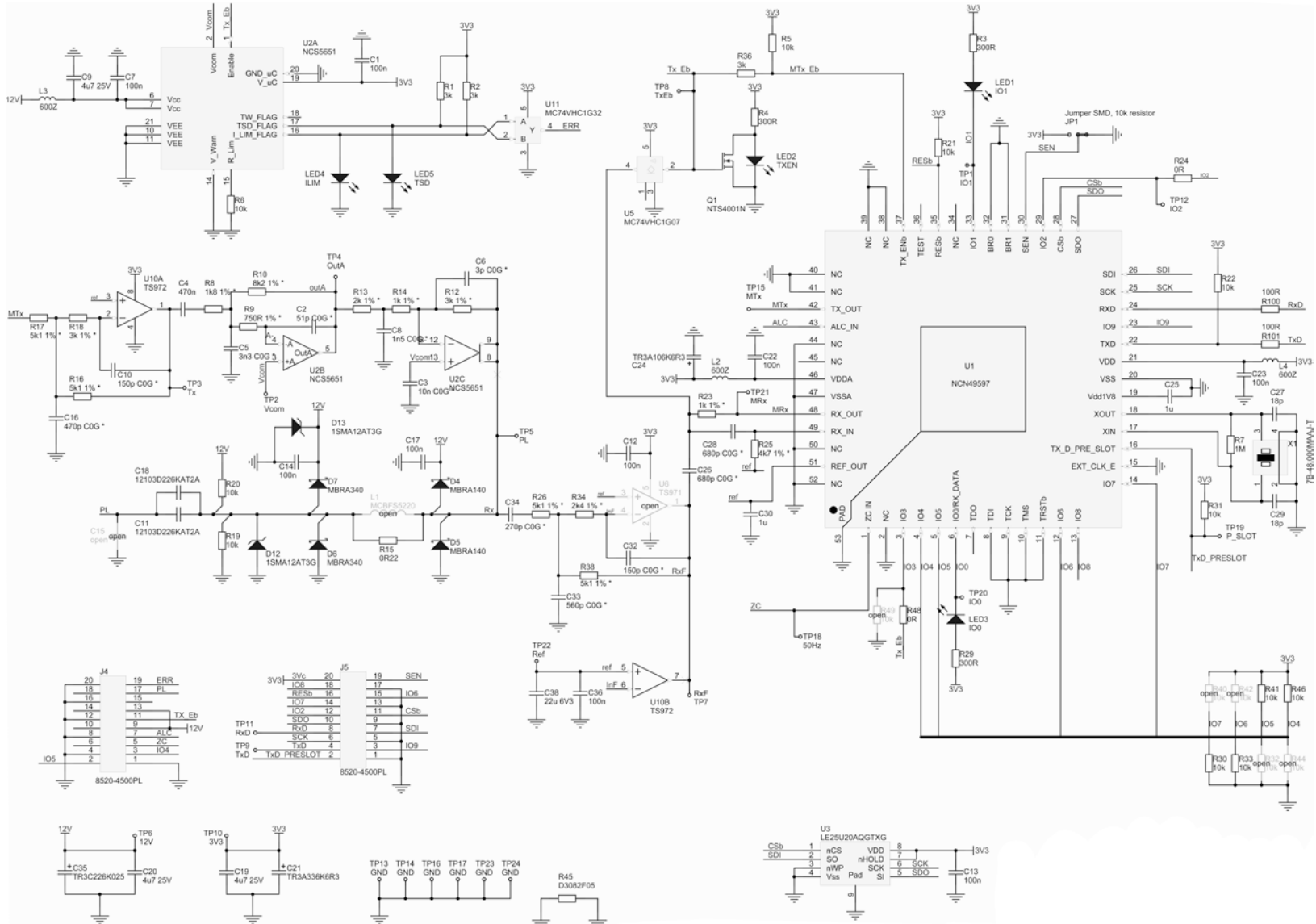
Schematic for the NCN49597PD11GEVK Evaluation Kit



Motherboard Schematic Image 1



Motherboard Schematic Image 2



Daughterboard Schematic Image 1