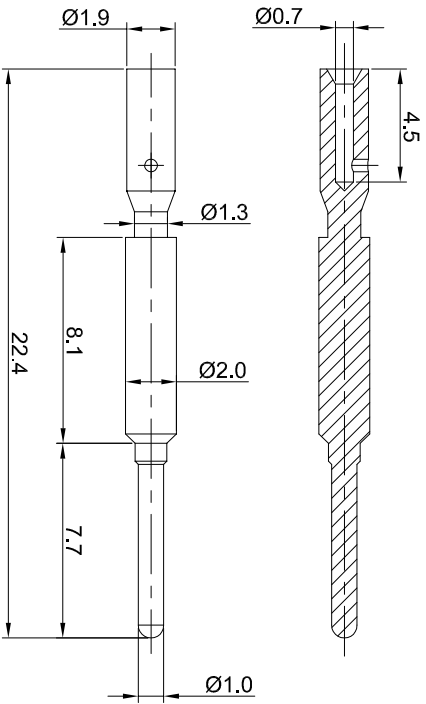
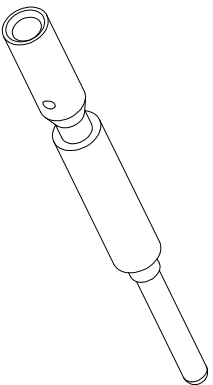


REVISIONS					
REV	ECO	DESCRIPTION	DATE	BY	APPR
B1	-	RELEASE NEW DWG FORMAT	06/16/14	TOD	TOMMY
B2	-	UPDTAED SPECIFICATION	09/14/15	TOD	TOMMY



- NOTES: UNLESS OTHERWISE SPECIFIED
1. MATERIAL: COPPER ALLOY, GOLD PLATED
 2. SPECIFICATIONS:
 - 2.1 RATED CURRENT: 10 AMPS
 - 2.2 CONTACT RESISTANCE: <5 milliohm
 - 2.3 AVAILABLE WIRE RANGE: 28AWG~24AWG
 - 2.4 ROHS COMPLIANT
 3. ALL DIMENSIONS ARE FOR REFERENCE USE ONLY.



QUANTITY	SEE PART NUMBER CHART	PART NUMBER	DESCRIPTION	ITEM
MATERIALS LIST				
UNLESS OTHERWISE SPECIFIED 1) All dimensions are in millimeters. 2) Tolerances are as follows: 1 Pl. DEC 20.00 2 Pl. DEC 20.00 3 Pl. DEC 20.08 3) Note reference =		SIGNATURES		
DRAWN: Tod		DATE: 06/16/14		
CHECKED:		ENGINEER:		
APPROVAL:		CUSTOMER:		
MATERIAL SPECIFICATIONS:		THIS DRAWING IS SUPPLIED FOR INFORMATION ONLY. DESIGN FEATURES, SPECIFICATIONS AND PERFORMANCE DATA ARE SUBJECT TO CHANGE WITHOUT NOTICE. THE APPLICABLE SPECIFICATION NO RIGHTS OF REPRODUCTION ARE IMPLIED. ALL MANUFACTURING VARIATIONS.		
PROCESS SPECIFICATIONS:		SIZE: B		
NEXT ASSY:		TYPE: C-		
		DWG NO: SC000146		
		SCALE: NONE		
		SHEET 1 OF 1		
		REVISION B2		

Amphenol

Sine Systems - www.amphenol-sine.com
44724 Modely Drive
Clifton Township, MI 48036

Pin contact, 20#, Chimp 28-24AWG