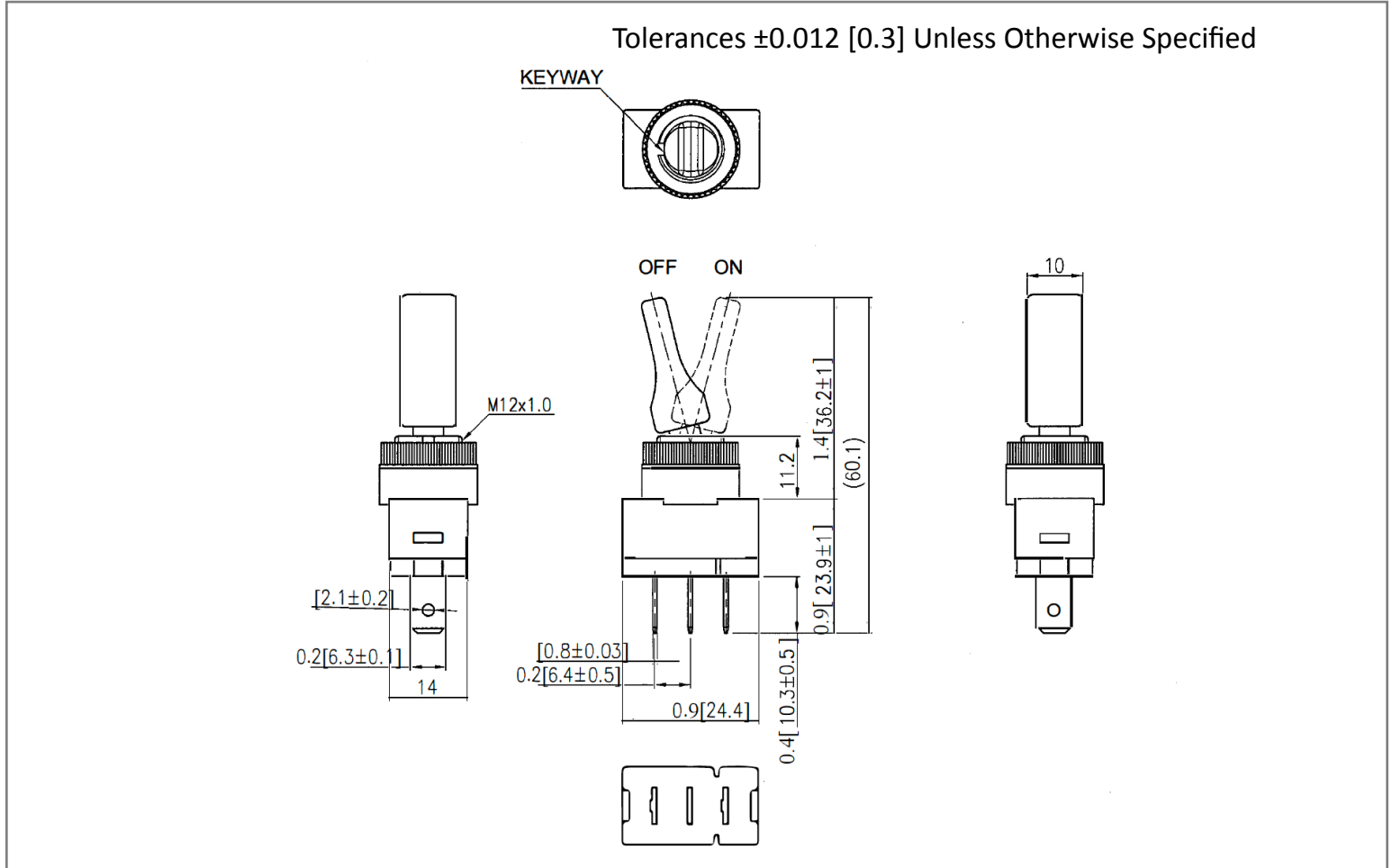
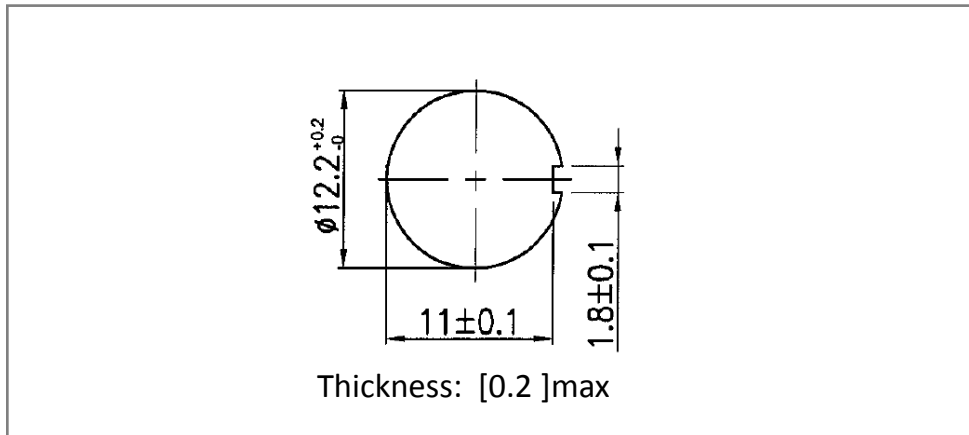


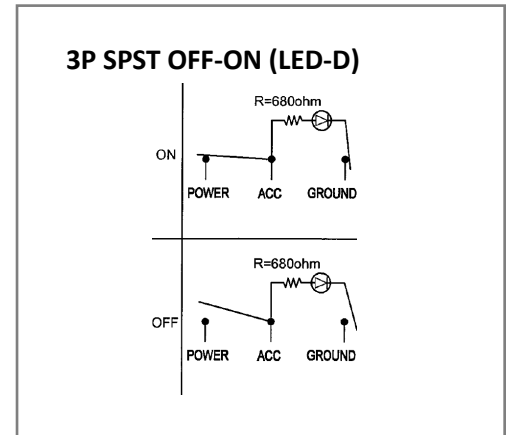
**Mechanical Dimensions: Inches [mm]**



**Mounting Hole**



**Circuit Diagram**



**Electrical Specifications**

Rating	20A 12V DC
Contact Resistance	50m ohm Max.
Insulation Resistance	DC 500V 100M ohm Min.
Dielectric Strength	AC 1500V 1 minute

**Material Specifications**

Frame	Black, PC
Base	Black, PBT
Handle	Amber clear, PC
LED	Amber (Dependent)
Terminals	Brass alloy

Rev	Date of issue	Revision Notes	Designed	Approved
A	06-03-2019	Initial Drawing	RC	OH