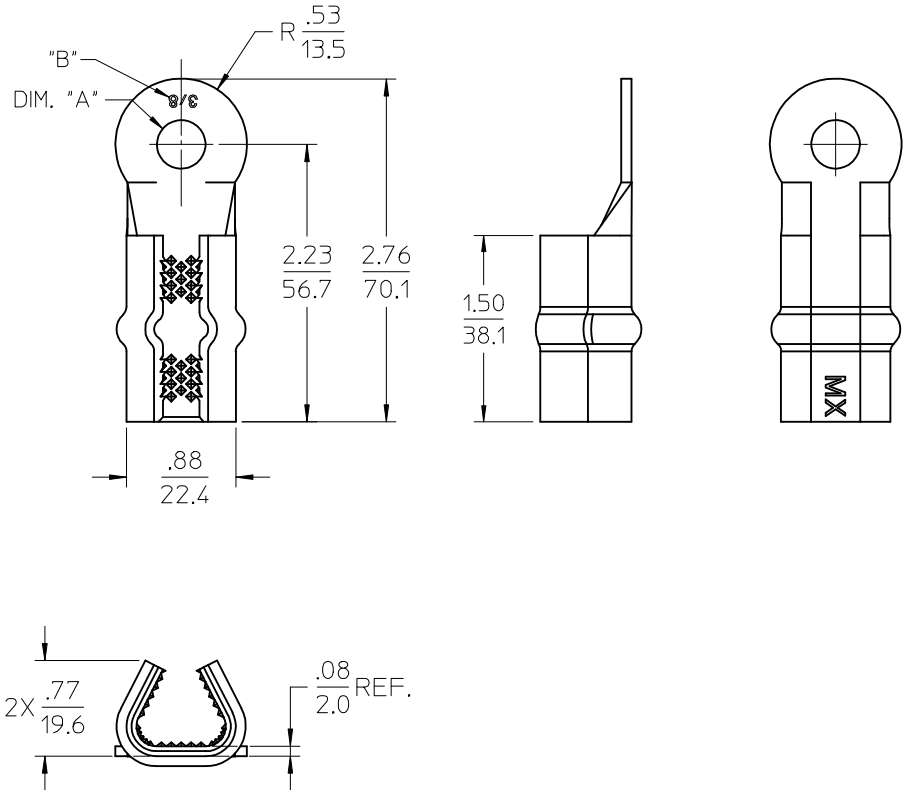
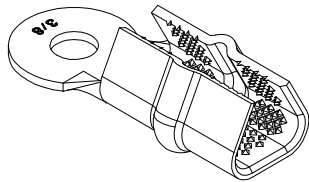


MATERIAL NUMBER	DIM A	"B"
191951034	∅.390/9.91	3/8
191951040	∅.515/13.08	1/2



- NOTES:
1. MATERIAL: COPPER ALLOY.
  2. FINISH: ELECTRO TIN PLATE.  
THICKNESS=100μINCHES MINIMUM.
  3. PRODUCT SPECIFICATION: PS-19195-001.
  4. PART USED TO CONNECT COPPER OR ALUMINUM SINGLE MAGNET WIRE OR MULTIPLE WIRE COMBINATIONS.
  5. COMBINATIONS OF WIRES ARE EITHER MAGNET WIRE TO MAGNET WIRE OR MAGNET WIRE TO LEAD WIRE.

EC NO: ETC2003-0089 DRWN: JPAWLICK 2002/09/27 CHKD: JPAWLICK 2002/09/27 APPR: RDEROSS 2002/09/27	QUALITY SYMBOLS ▽ = 0 ▽ = 0	GENERAL TOLERANCES (UNLESS SPECIFIED)		SCALE <b>1:1</b>	DESIGN UNITS <b>INCH</b>	THIRD ANGLE PROJECTION	REVISE ON CAD ONLY	
		4 PLACES ± --- ± ---	3 PLACES ± --- ± ---	DIMENSION STYLE <b>IN/MM</b>		TITLE <b>MAGKRIMP ROUND RING                  50,000-115,000 CMA</b>		
		2 PLACES ± --- ± .010	1 PLACE ± 0.25 ± ---	DRAWN BY JPAWLICK	DATE 02/03/25	MOLEX INCORPORATED		
		ANGULAR ± 2 °		CHECKED BY JPAWLICK	DATE 02/03/25	MATERIAL NO. <b>SEE CHART</b>	DOCUMENT NO. <b>SD-19195-014</b>	SHEET NO. <b>1 OF 1</b>
B	REV	DRAFT WHERE APPLICABLE MUST REMAIN WITHIN DIMENSIONS		APPROVED BY RDEROSS	DATE 02/03/25	THIS DRAWING CONTAINS INFORMATION THAT IS PROPRIETARY TO MOLEX INCORPORATED AND SHOULD NOT BE USED WITHOUT WRITTEN PERMISSION		