

MATERIAL NO.	ENGINEERING NO.	FINISHED LENGTH
1300090854	130009-0855-M010	3 FT 3 IN (1M)
1300090857	130009-0855-M040	13 FT 1 IN (4M)
1300090860	130009-0855-M100	32 FT 10 IN (10M)

**CABLE LENGTH TOLERANCES**

<.3M [1FT]: +19mm-0 [ +.75in-0]

.3 - .9M [1 - 3FT]: +44.5mm-0 [+1.75in-0]

.9 - 1.8M [3 - 6FT]: +55.6mm-0 [+2.19in-0]

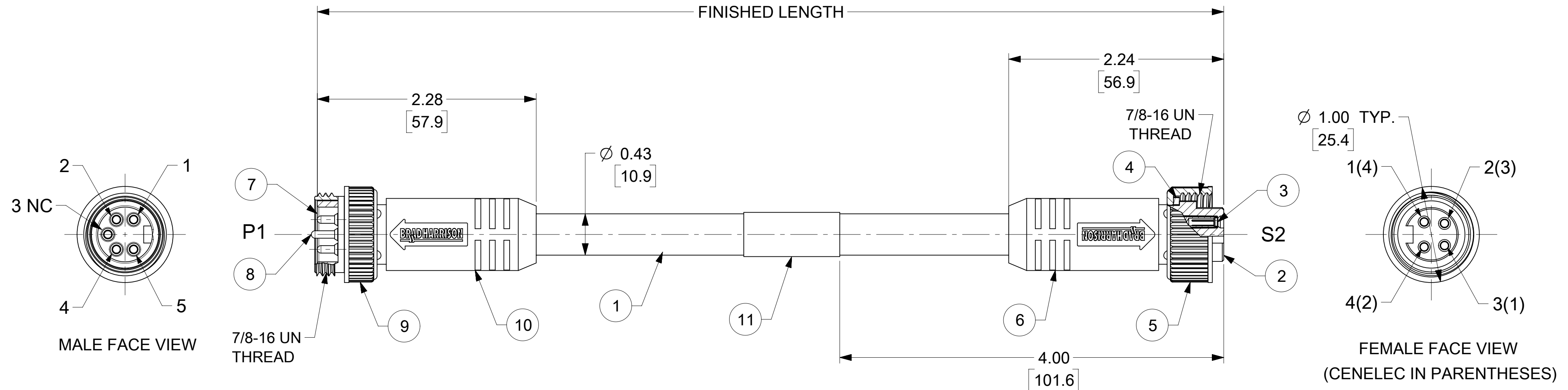
1.8 - 3.7M [6 - 12FT]: +88.9mm-0 [+3.50in-0]

3.7 - 7.3M [12 - 24FT]: +165.1mm-0 [+6.50in-0]

7.3-14.6M [24 - 48FT]: +317.5mm-0 [+12.50in-0]

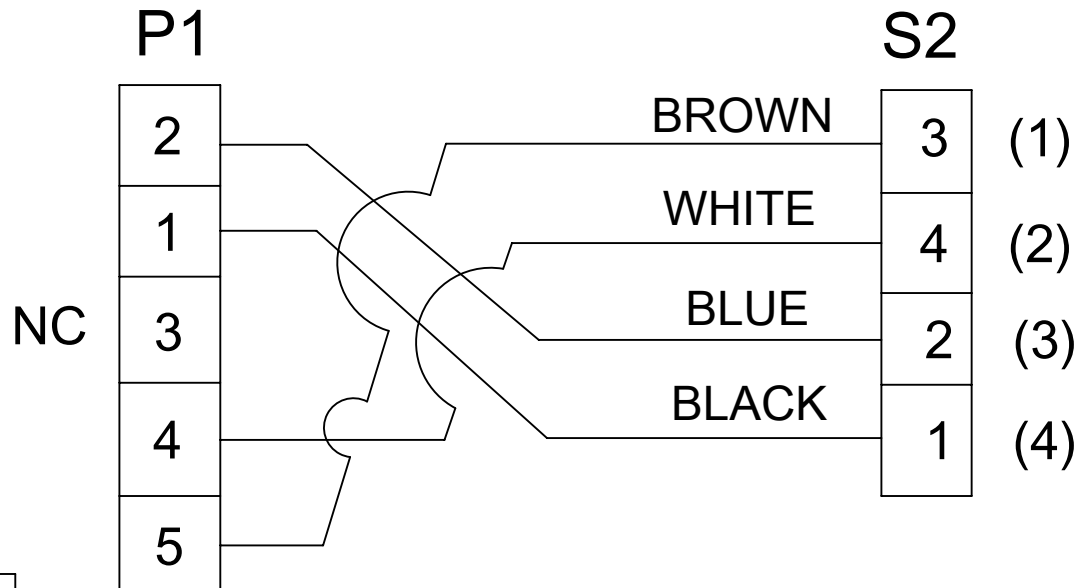
14.6 - 30.5M [48-100FT]: +622.3mm-0 [+24.50in-0]

OVER 30M [100FT] +2% OF FINISHED LENGTH



- NOTES:**
1. MATERIAL: AS NOTED
  2. FINISH: AS NOTED
  3. ELECTRICAL:  
VOLTAGE: 400V PER IEC60664  
600V PER UL2238  
CURRENT: 8A
  4. TEMP RATING: -20°C TO +90°C
  5. PROTECTION: IP67 (WHEN MATED)
  6. ASSEMBLY IS ROHS COMPLIANT
  7. ALL DIMS ARE FOR REFERENCE UNLESS TOLERANCED OR NOTED OTHERWISE

**WIRING DIAGRAM**



**PART NUMBER MATRIX**

130009-0855-M010

FINISHED LENGTH  
M005 = 0.5 METER  
M010 = 1 METERS  
M100 = 10 METERS

ITEM	DESCRIPTION	MATERIAL	FINISH
11	WRAP LABEL	VINYL	BLACK/YELLOW
10	OVERMOLD	TPE	YELLOW
9	MALE COUPLING NUT	ZINC DIE-CAST	BLACK E-COAT
8	PIN CONTACT	CU ALLOY	GOLD OVER NICKEL
7	MALE INSERT	TPE	YELLOW
6	OVERMOLD	TPE	YELLOW
5	FEMALE COUPLING NUT	ZINC DIE-CAST	BLACK E-COAT
4	FRICTION RING	NYLON	NATURAL
3	SOCKET CONTACT	Cu ALLOY	GOLD OVER NICKEL
2	FEMALE INSERT	TPE	YELLOW
1	CABLE, #16-4	TPE JACKET	YELLOW

FUNCTIONAL SYMBOLS	THIS DRAWING CONTAINS INFORMATION THAT IS PROPRIETARY TO MOLEX ELECTRONIC TECHNOLOGIES, LLC AND SHOULD NOT BE USED WITHOUT WRITTEN PERMISSION	SCALE		CURRENT REV DESC: UPDATED NOTES, TEMP, CURRENT RATING, ADDED SAE	<b>molex</b>
	INCH/MM	1.3:1			
	GENERAL TOLERANCES (UNLESS SPECIFIED)				
	4 PLACES	±	±		
DIVISIONAL SYMBOLS	EC NO: 681109	MM	INCH	DRWN: VHANDI	2020/05/21
	DRWN: AAKHTAR	2021/10/12	APP: BWOODMAN	2021/10/13	2021/10/13
	INITIAL REVISION:	DRWN: AAKHTAR	2017/09/18	APP: BWOODMAN	2017/09/21
	ANGULAR TOL	±	°		
DRAFT WHERE APPLICABLE MUST REMAIN WITHIN DIMENSIONS		THIRD ANGLE PROJECTION	DRAWING	SERIES	DOCUMENT NUMBER
			C-SIZE	130009	SD-130009-018
					DOC TYPE
					DOC PART
					REVISION
					PSD 001 B
					MATERIAL NUMBER
					CUSTOMER
					SHEET NUMBER
					SEE TABLE GENERAL MARKET 1 OF 1