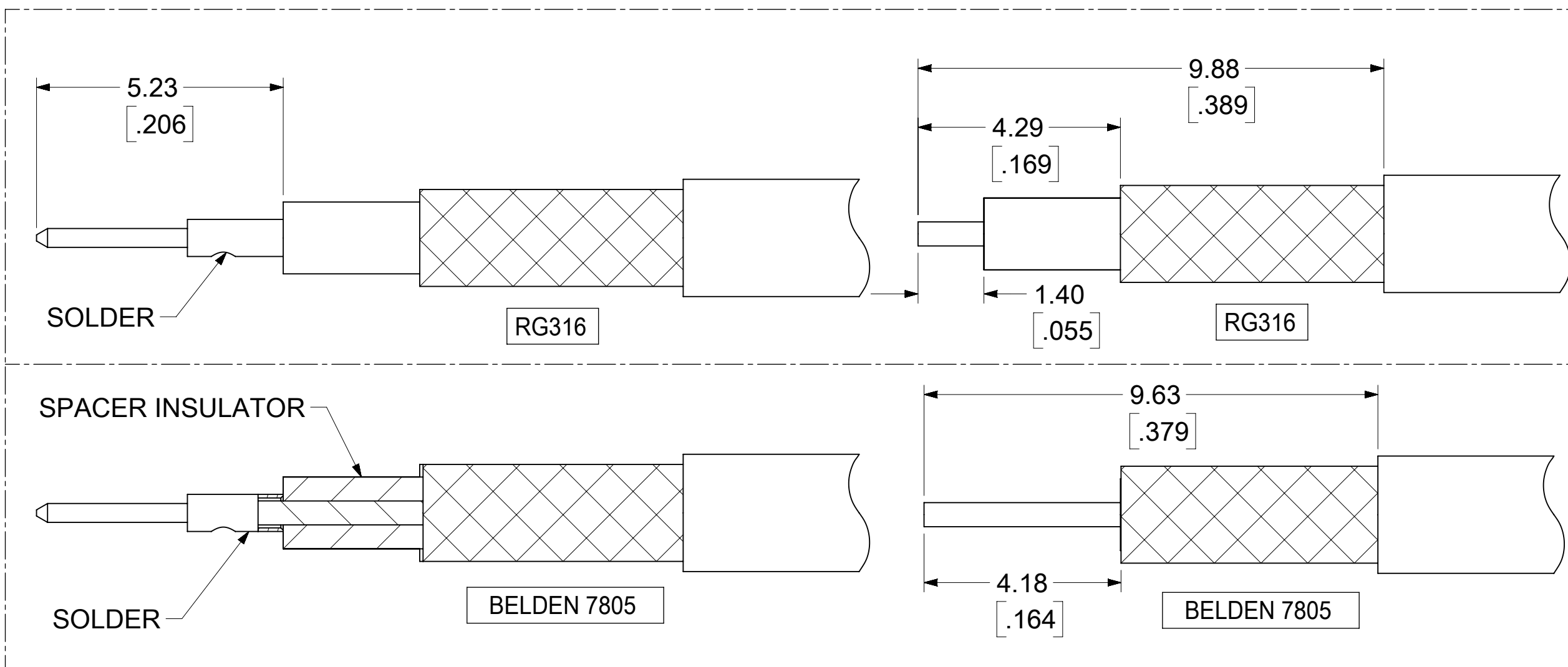
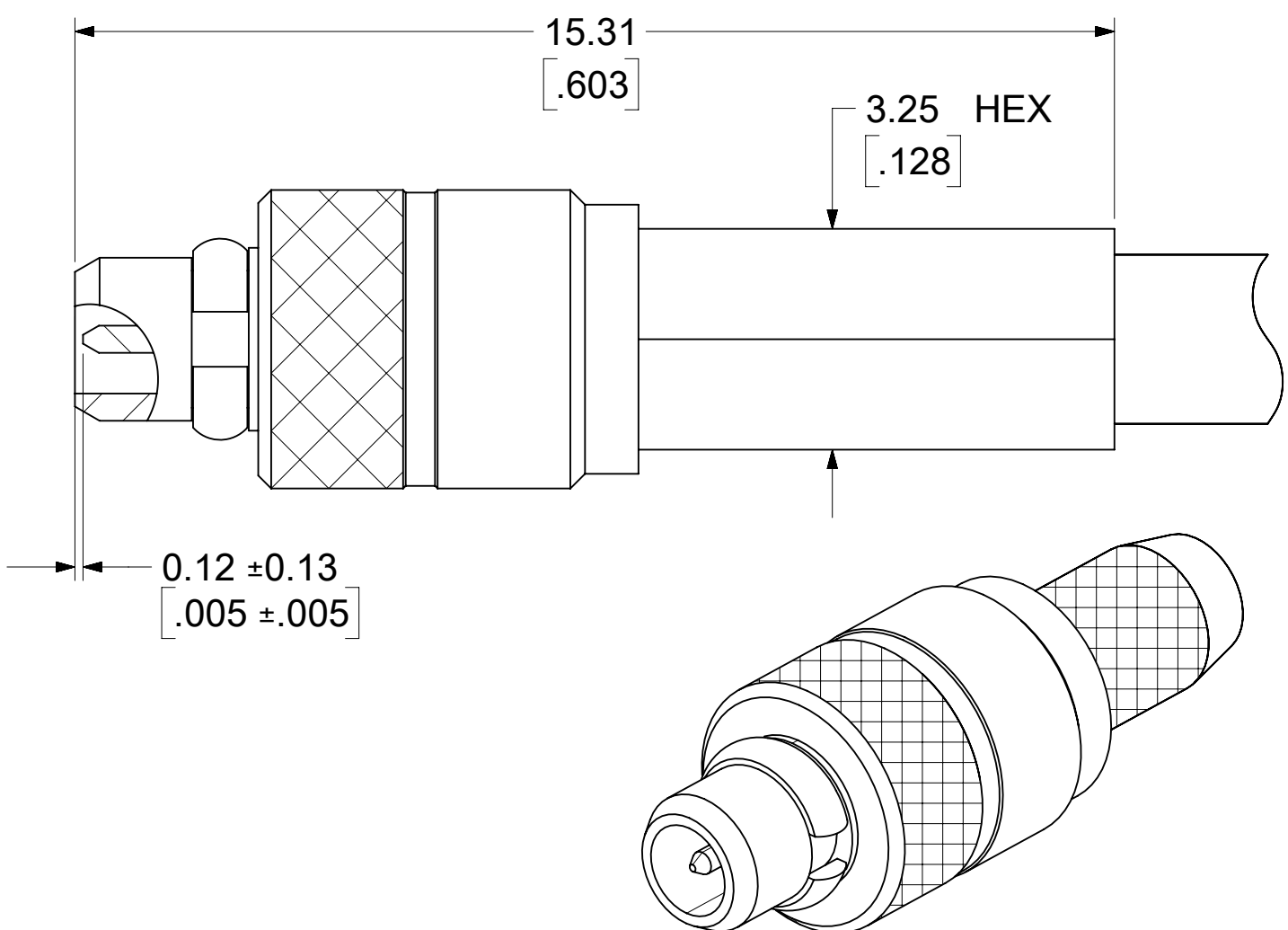
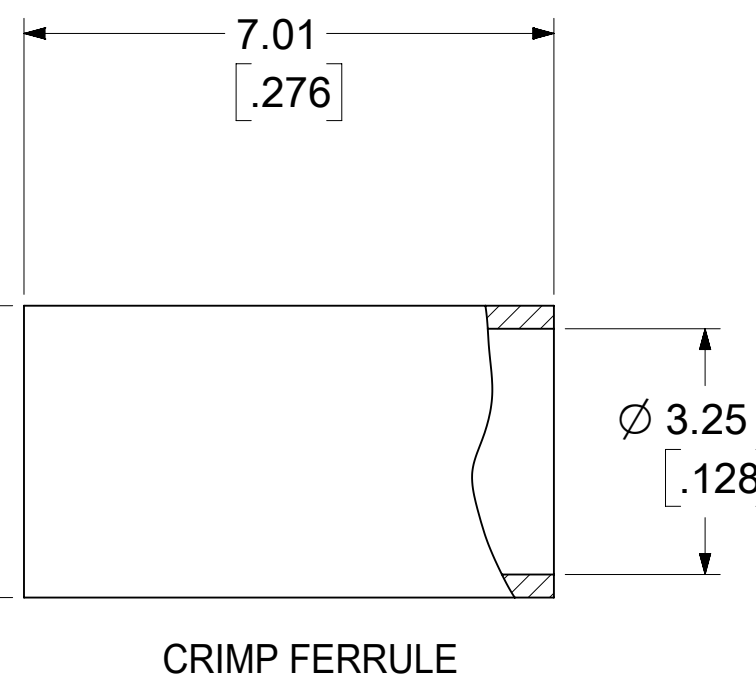
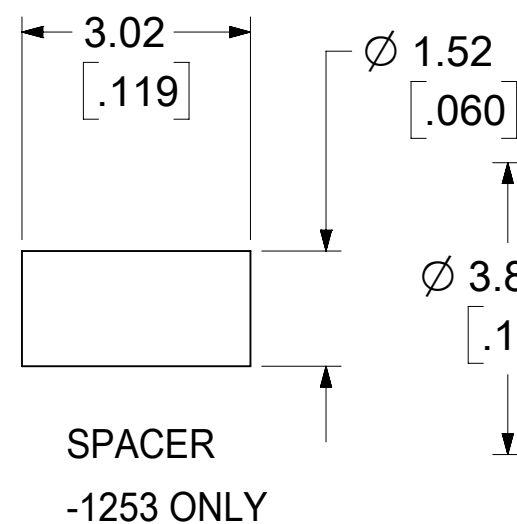
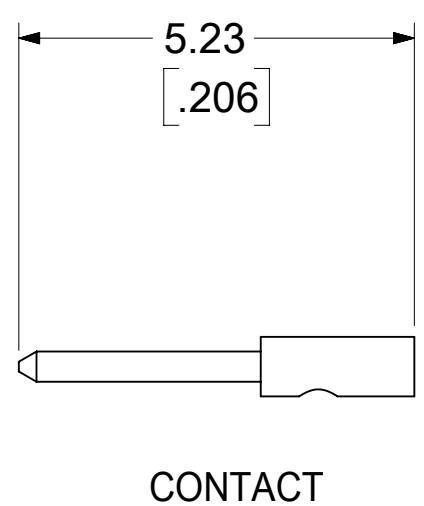
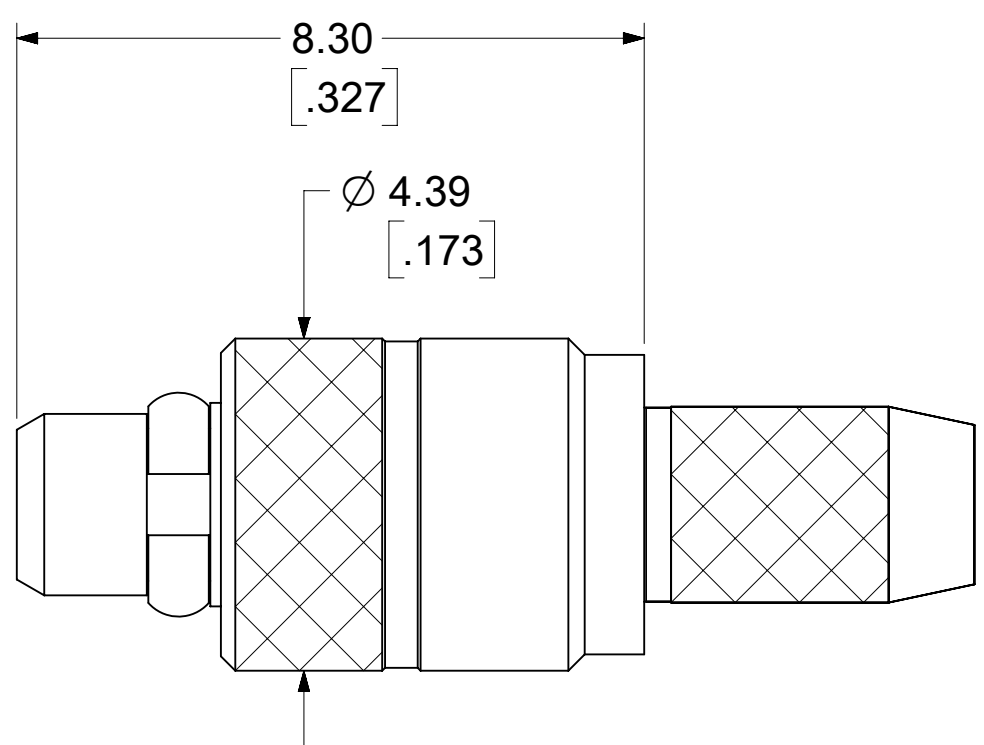


MATERIALS AND FINISHES:

BODY, CONTACT, REAR BODY,  
SNAP RING, CRIMP TUBE: SEE TABLE

INSULATOR, SPACER: PTFE



|           |   |   |   |  |   |   |
|-----------|---|---|---|--|---|---|
| 734151255 | BRASS / GOLD (1μ-in MIN)<br>OVER NICKEL (50μ-ini MIN)   | BRASS / GOLD (10μ-in MIN)<br>OVER NICKEL (50μ-ini MIN)  | BRASS / GOLD (1μ-in MIN)<br>OVER NICKEL (50μ-ini MIN)   | BeCU / GOLD (1μ-in MIN)<br>OVER NICKEL (50μ-ini MIN)   | COPPER / GOLD (1μ-in MIN)<br>OVER NICKEL (50μ-ini MIN)  | BAG   |
| 734151254 | BRASS / GOLD (1μ-in MIN)<br>OVER NICKEL (50μ-ini MIN)   | BRASS / GOLD (1μ-in MIN)<br>OVER NICKEL (50μ-ini MIN)   | BRASS / GOLD (1μ-in MIN)<br>OVER NICKEL (50μ-ini MIN)   | BeCU / GOLD (1μ-in MIN)<br>OVER NICKEL (50μ-ini MIN)   | BRASS / GOLD (1μ-in MIN)<br>OVER NICKEL (50μ-ini MIN)   | BAG   |
| 734151253 | BRASS / GOLD (1μ-in MIN)<br>OVER NICKEL (50μ-ini MIN)   | BRASS / GOLD (10μ-in MIN)<br>OVER NICKEL (50μ-ini MIN)  | BRASS / GOLD (1μ-in MIN)<br>OVER NICKEL (50μ-ini MIN)   | BeCU / GOLD (1μ-in MIN)<br>OVER NICKEL (50μ-ini MIN)   | BRASS / GOLD (1μ-in MIN)<br>OVER NICKEL (50μ-ini MIN)   | BAG, USING BELDEN<br>7805 CABLE               |
| 734151252 | BRASS / GOLD (1μ-in MIN)<br>OVER NICKEL (50μ-ini MIN)   | BRASS / GOLD (10μ-in MIN)<br>OVER NICKEL (50μ-ini MIN)  | BRASS / GOLD (1μ-in MIN)<br>OVER NICKEL (50μ-ini MIN)   | BeCU / GOLD (1μ-in MIN)<br>OVER NICKEL (50μ-ini MIN)   | BRASS / GOLD (1μ-in MIN)<br>OVER NICKEL (50μ-ini MIN)   | 1 PIECE 734151251 IN<br>SINGLE BAG WITH LABEL |
| 734151251 | BRASS / GOLD (1μ-in MIN)<br>OVER NICKEL (50μ-ini MIN)   | BRASS / GOLD (10μ-in MIN)<br>OVER NICKEL (50μ-ini MIN)  | BRASS / GOLD (1μ-in MIN)<br>OVER NICKEL (50μ-ini MIN)   | BeCU / GOLD (1μ-in MIN)<br>OVER NICKEL (50μ-ini MIN)   | BRASS / GOLD (1μ-in MIN)<br>OVER NICKEL (50μ-ini MIN)   | BAG   |
| 734151250 | BRASS / GOLD (30μ-in MIN)<br>OVER NICKEL (100μ-ini MIN) | BRASS / GOLD (50μ-in MIN)<br>OVER NICKEL (100μ-ini MIN) | BRASS / GOLD (30μ-in MIN)<br>OVER NICKEL (100μ-ini MIN) | BeCu / GOLD (30μ-in MIN)<br>OVER NICKEL (100μ-ini MIN) | BRASS / GOLD (30μ-in MIN)<br>OVER NICKEL (100μ-ini MIN) | BAG   |
| PART NO.  | BODY, MATERIAL / FINISH                                 | CONTACT, MATERIAL / FINISH                              | REAR BODY, MATERIAL / FINISH                            | SNAP RING, MATERIAL / FINISH                           | CRIMP TUBE, MATERAIL / FINISH                           | PACKAGING                                     |

|                 |                             |
|-----------------|-----------------------------|
| AS-73597-055    | CABLE ASSEMBLY INSTRUCTIONS |
| CECC-22-340     | INTERFACE                   |
| PS-89675-1920   | ELECTRO/MECH PERFORMANCE    |
| SPECIFICATION   | DESCRIPTION                 |
| DOCUMENT STATUS | P1                          |
| RELEASE DATE    | 2021/04/12 20:09:14         |

FUNCTIONAL SYMBOLS: FA=0, FC=0, FP=0

DIVISIONAL SYMBOLS: 4 PLACES ±, 3 PLACES ±, 2 PLACES ±, 1 PLACE ±, 0 PLACES ±

ANGULAR TOL ± 2.0°

THIS DRAWING CONTAINS INFORMATION THAT IS PROPRIETARY TO MOLEX ELECTRONIC TECHNOLOGIES, LLC AND SHOULD NOT BE USED WITHOUT WRITTEN PERMISSION

SCALE: IN/MM NTS

GENERAL TOLERANCES (UNLESS SPECIFIED): MM INCH

CURRENT REV DESC:

EC NO: 659752  
DRWN: LMEIER  
CHK'D: SSSHAH  
APPR: KTAGAN

INITIAL REVISION:  
DRWN: TFLAHERTY  
APPR: JWIENER

DATE: 2021/03/23, 2021/04/12, 2021/04/12, 2005/12/22, 2005/12/22

THIRD ANGLE PROJECTION

DRAWING: C-SIZE

SERIES: 73415

MOLEX

MMCX PLUG STRAIGHT FOR RG316 CABLE  
MMCX-PC, EWR-14356

PRODUCT CUSTOMER DRAWING

DOCUMENT NUMBER: SD-73415-125

DOC TYPE: PSD

DOC PART: 001

REVISION: A7

MATERIAL NUMBER: SEE TABLE

CUSTOMER: SEE TABLE

SHEET NUMBER: 1 OF 1