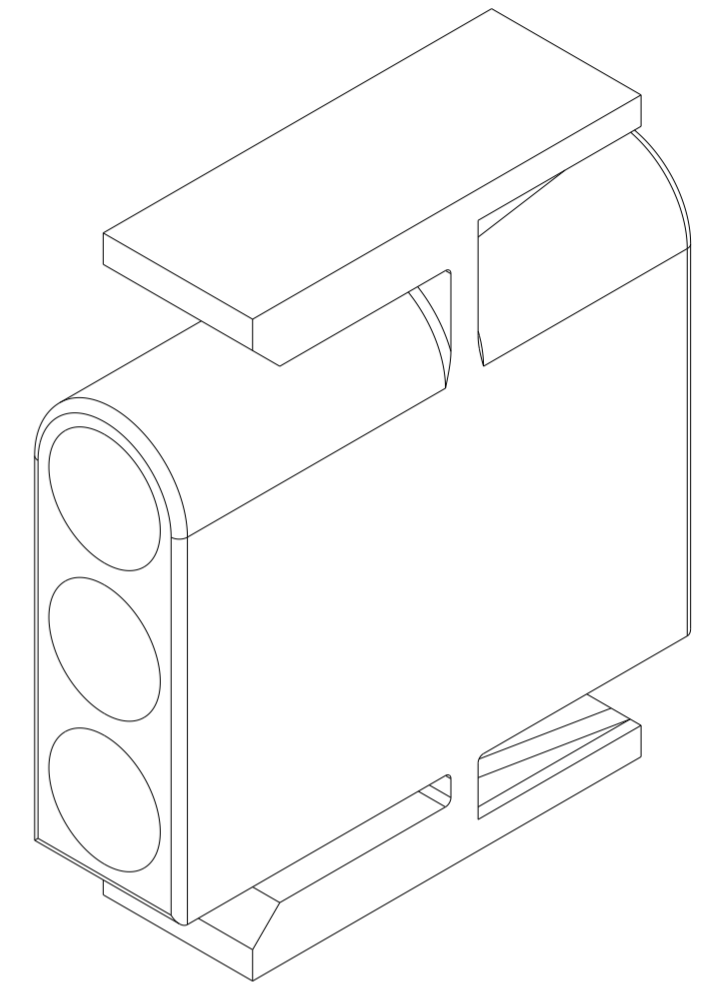
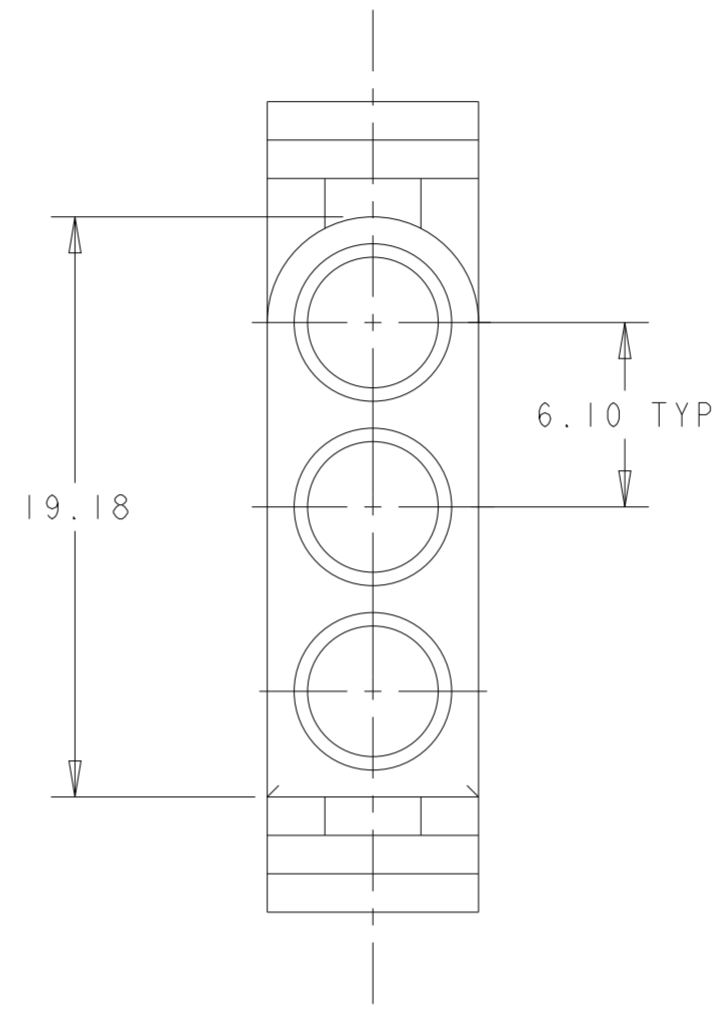
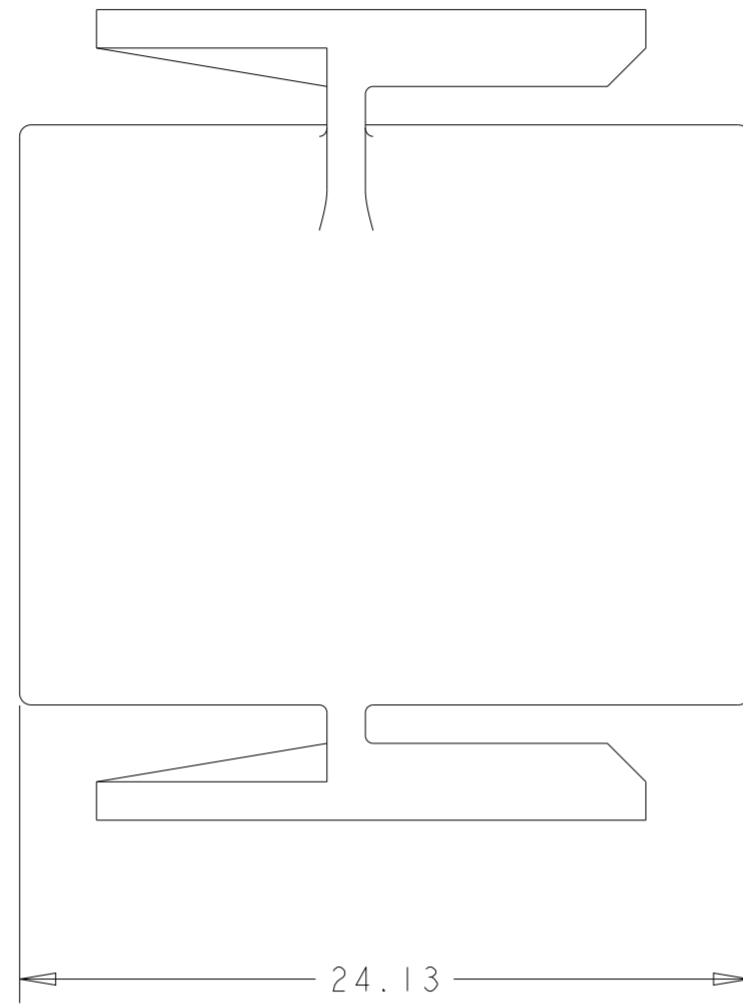
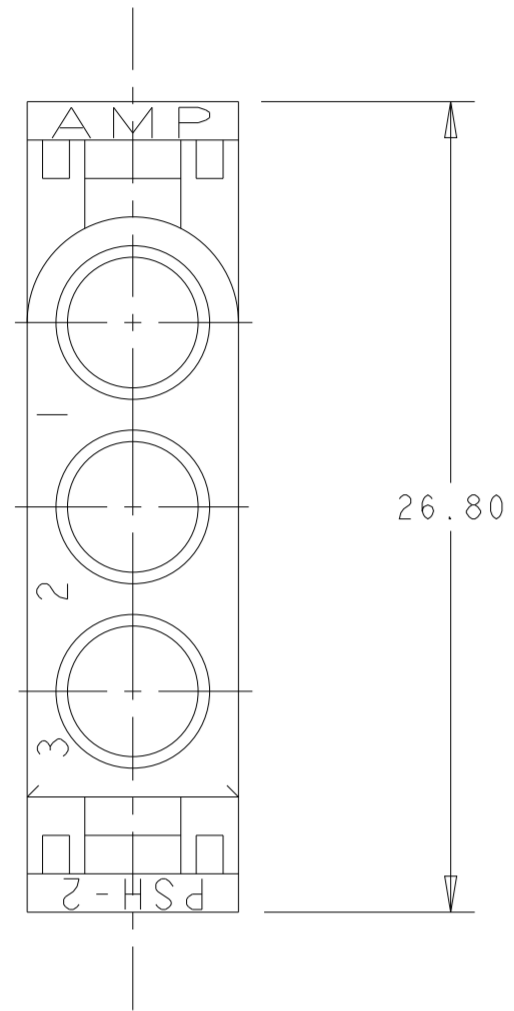
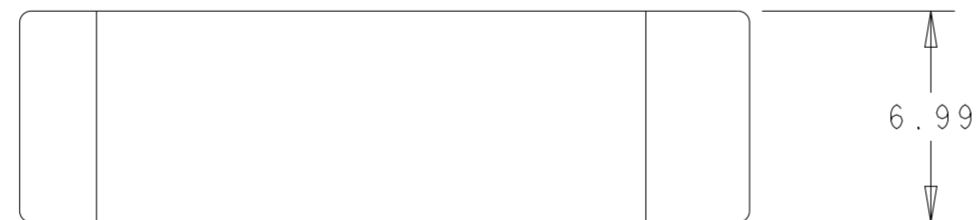


P	LTR	DESCRIPTION	DATE	DWN	APVD
M1		REVISED PER ECO-11-004917	12APR2011	RK	HMR
M2		REVISED PER ECN-23-205457	28MAR2023	WLS	VS



1. TO BE USED WITH .140 SERIES SOCKETS.
2. TO BE USED WITH CAP 350347.
3. FOR FOREIGN PRODUCTION ONLY.



6.99	.275	-	-
6.10	.240	26.80	1.055
3.56	.140	24.13	.950
0.13	.005	19.18	.755
MM	IN	MM	IN
CONVERSION TABLE			

METRIC

BLUE	NYLON, UL 94V-2	3 1-350346-6
NATURAL	NYLON, UL 94V-2	1-350346-0
COLOR	MATERIAL	PART NUMBER

THIS DRAWING IS A CONTROLLED DOCUMENT.		DWN K. WHITAKER 05DEC2002	STE TE Connectivity	
DIMENSIONS: mm		CHK D. COLEY 05DEC2002		
TOLERANCES UNLESS OTHERWISE SPECIFIED:		APVD D. COLEY 05DEC2002	NAME	
0 PLC ±		PRODUCT SPEC	PLUG, 3 CIRCUIT, .140 MATE-N-LOK	
1 PLC ±		108-1032	SIZE CAGE CODE DRAWING NO RESTRICTED TO	
2 PLC ±0.13		APPLICATION SPEC	A200779 C-350346	
3 PLC ±		WEIGHT	SCALE 4:1 SHEET 1 OF 1 REV M2	
4 PLC ±		CUSTOMER DRAWING		
ANGLES ±0°30'				
FINISH				
MATERIAL				
SEE TABLE				