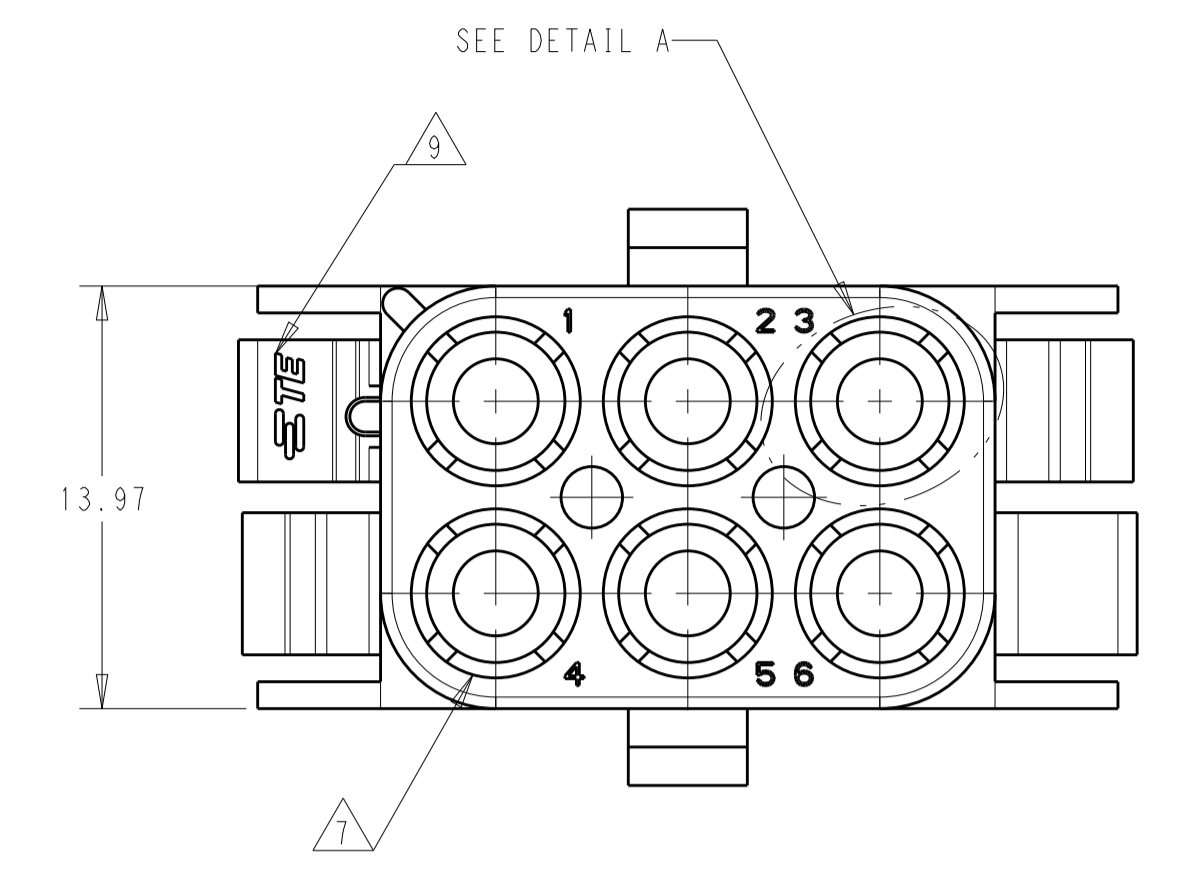
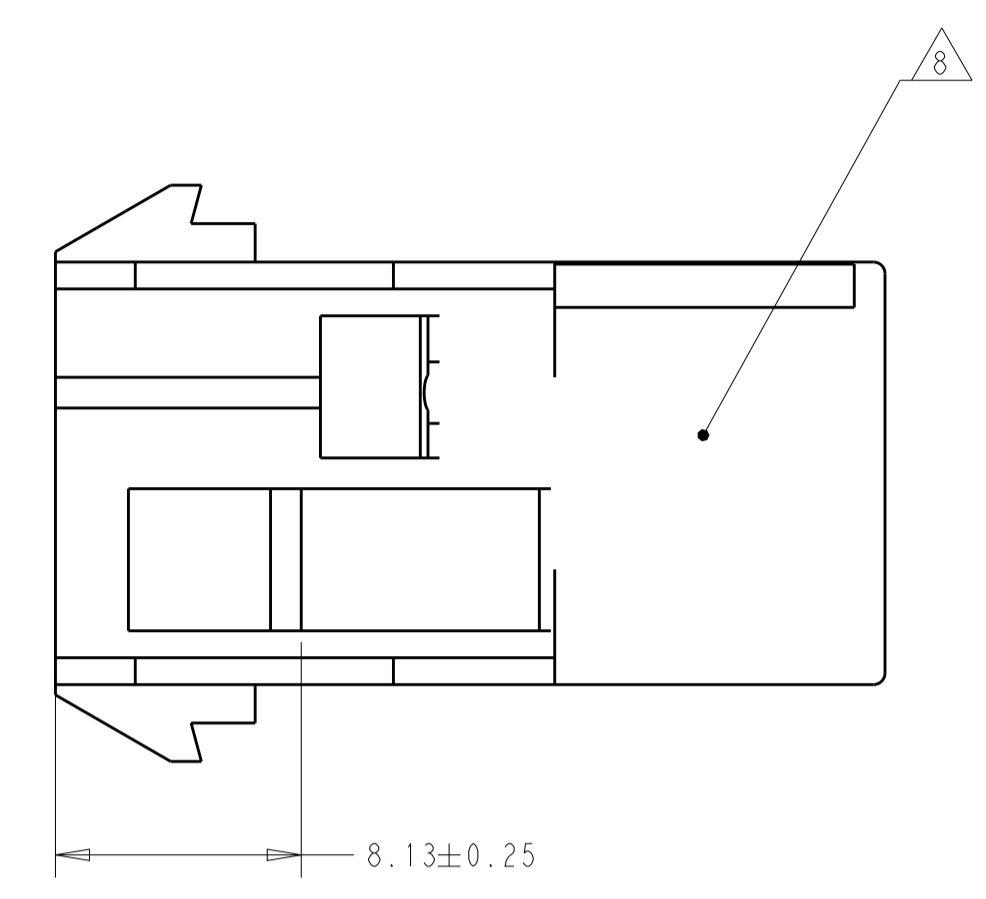
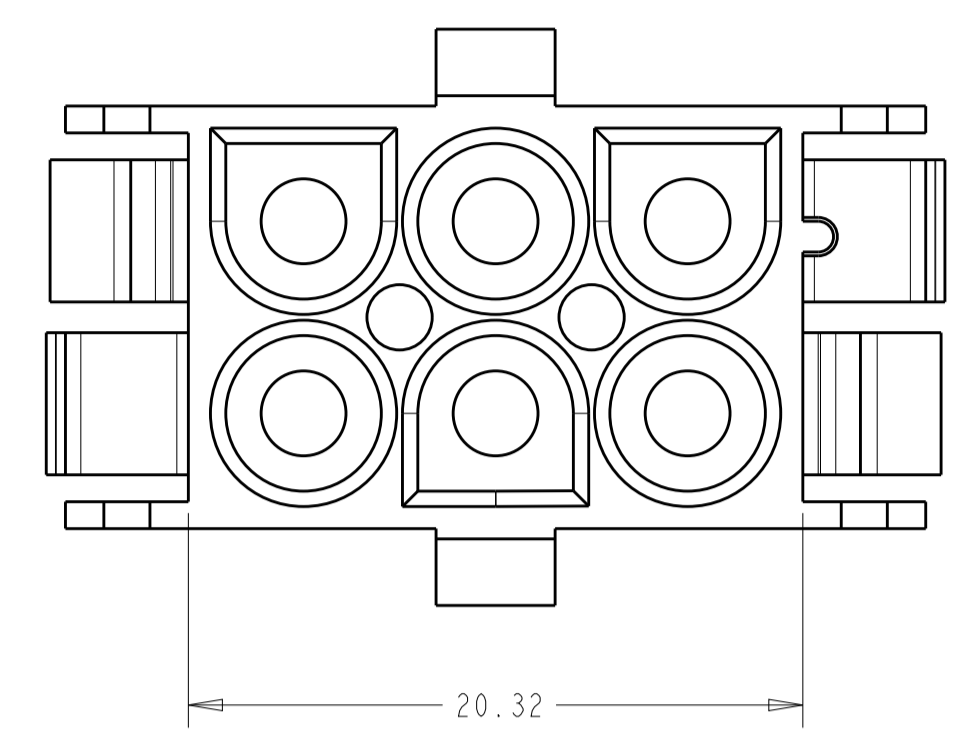
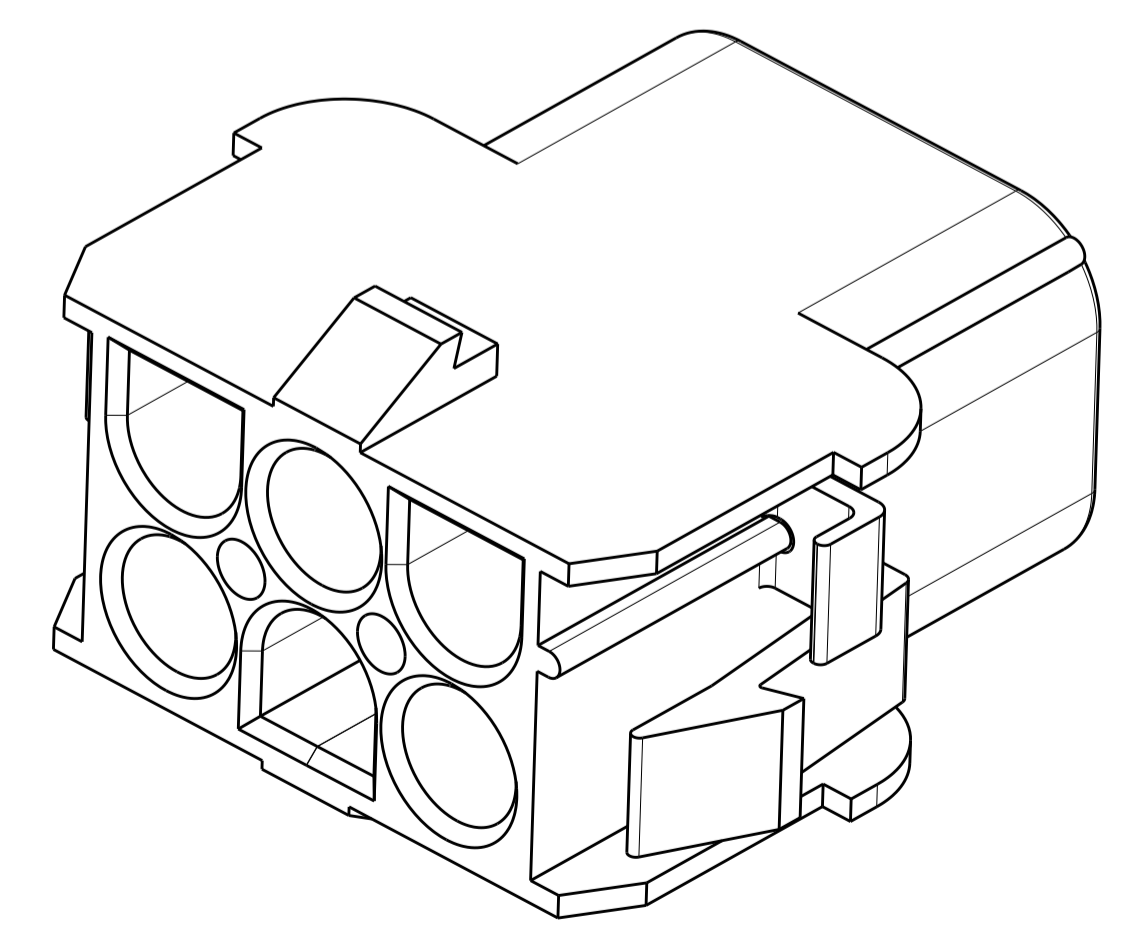
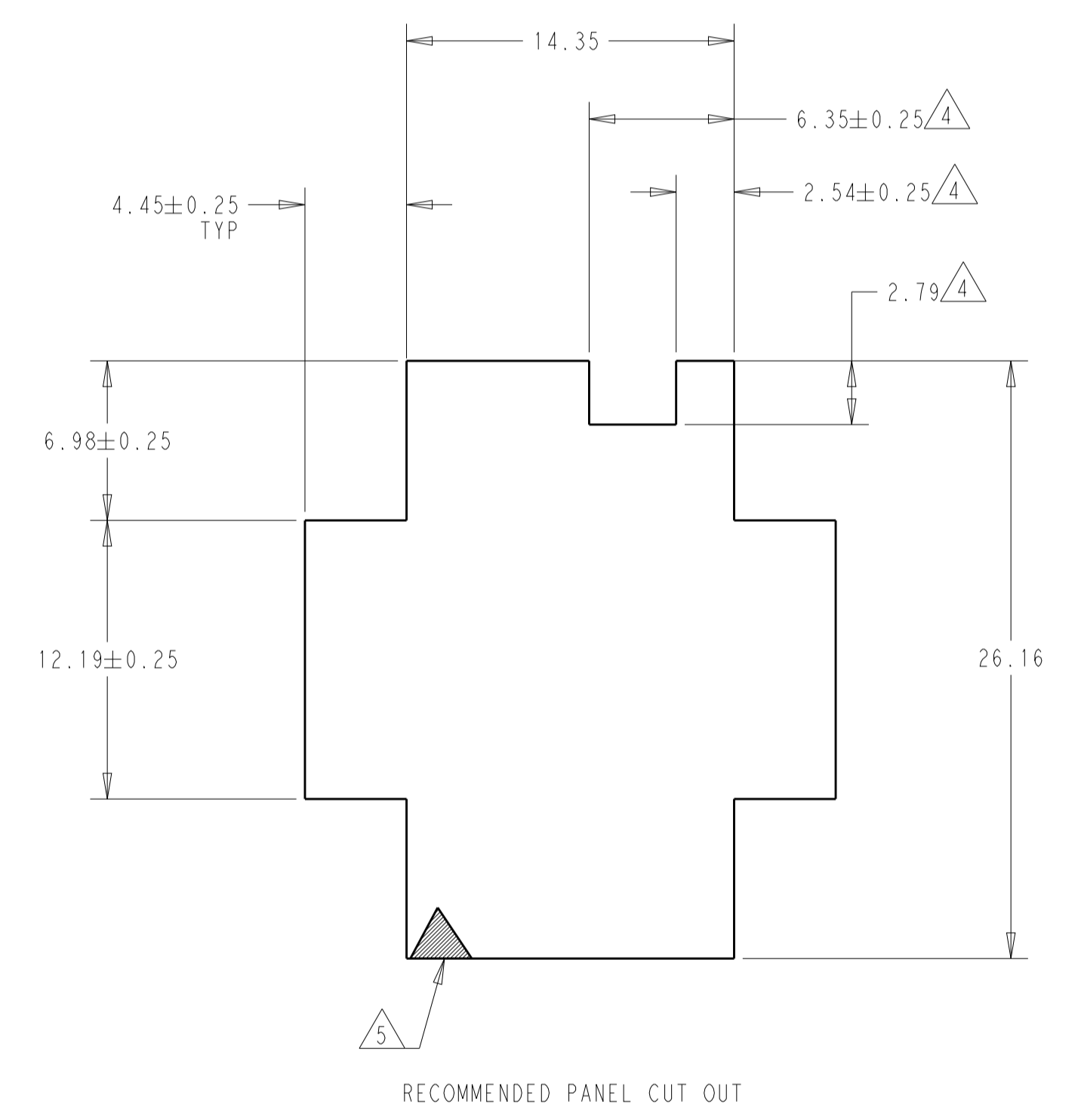
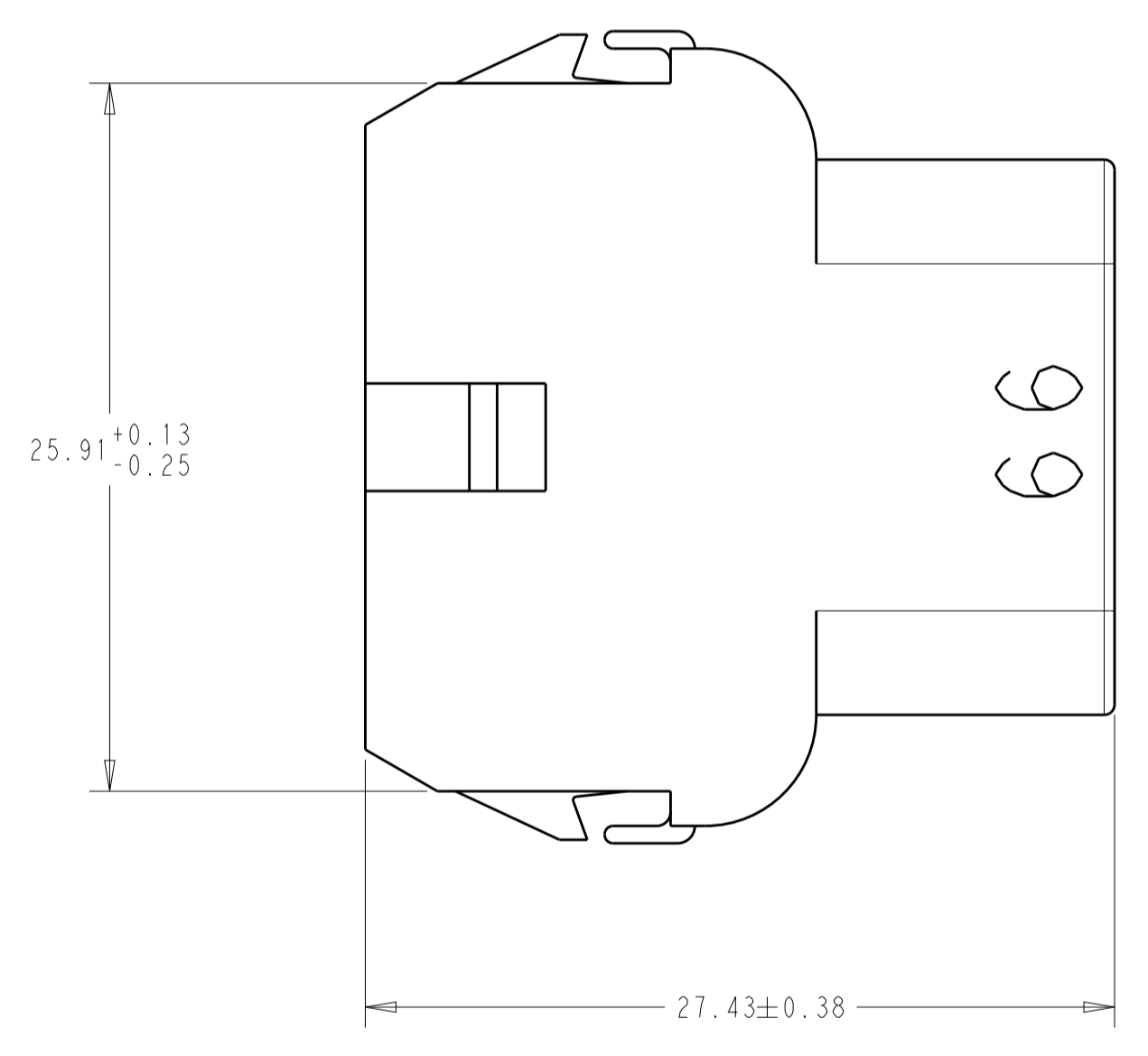
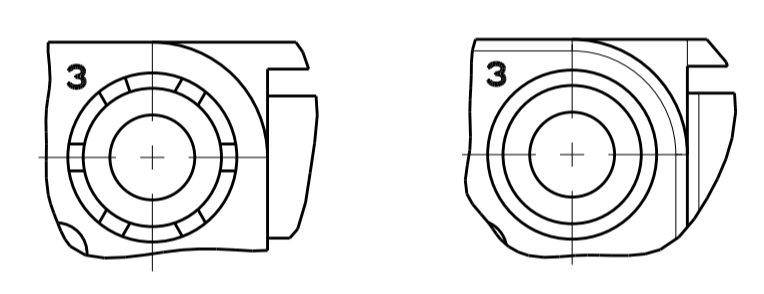


| REVISIONS | | | | |
|-----------|-----|---------------------------|-----------|--------|
| P | LTN | DESCRIPTION | DATE | APVD |
| W5 | | REDRAWN PER ECO-19-005708 | 03MAY2019 | BKW SF |
| | | | | |
| | | | | |



1. MATES WITH APPROPRIATE UNIVERSAL MATE-N-LOCK™ PLUG
2. RECOMMENDED PANEL THICKNESS 0.76 - 2.29.
3. PANEL MUST BE PUNCHED SO THAT THE HOUSING ENTERS THE PANEL IN THE SAME DIRECTION AS THE PUNCH.
4. OPTIONAL FOR KEYING HOUSING IN PANEL.
5. CIRCUIT NUMBER 1 LOCATION.
6. DIMENSIONS SHOWN REPRESENT PRODUCT IN DRY, AS MOLDED, CONDITION. ADDITIONAL 2% GROWTH DUE TO SUBSEQUENT MOISTURE ABSORPTION MAY OCCUR AND SHOULD BE ACCOUNTED FOR.
7. FOUR RIBS EQUALLY SPACED, NO SPECIFIC ORIENTATION. NO RIBS OR SIX RIBS EQUALLY SPACED, NO SPECIFIC ORIENTATION, OPTIONAL.
8. UNDERWRITERS RECOGNIZED COMPONENT LOGO AND CSA CERTIFICATION LOGO TO BE LOCATED ONCE EACH ON SIDE OF HOUSING.
9. TRADEMARK LOCATION: AMP OR TE



| | |
|---------|-------------|
| BLACK | 1-350767-9 |
| GRAY | 1-350767-8 |
| BLUE | 1-350767-6 |
| GREEN | 1-350781-5 |
| YELLOW | 1-350781-4 |
| ORANGE | 1-350781-3 |
| RED | 1-350781-2 |
| BROWN | 1-350781-1 |
| NATURAL | 350781-1 |
| COLOR | PART NUMBER |

THIS DRAWING IS A CONTROLLED DOCUMENT.

| | | | |
|--------------------------|--|-----------------------------|---|
| DIMENSIONS: | TOLERANCES UNLESS OTHERWISE SPECIFIED: | OWN: B. WEAVER 03MAY2019 | NAME: CAP, 6 CIRCUIT, UNIVERSAL MATE-N-LOCK |
| mm | 0 PLC ± | CHK: S. FERNANDES 03MAY2019 | PRODUCT SPEC: - |
| | 1 PLC ±0.13 | APVD: T. BENCHOFF 03MAY2019 | APPLICATION SPEC: - |
| | 2 PLC ± | | SIZE: A |
| | 3 PLC ± | | CAGE CODE: 00779 |
| | 4 PLC ± | | DRAWING NO: 350781 |
| | ANGLES ±1° | | RESTRICTED TO: - |
| MATERIAL: NYLON UL 94V-0 | FINISH: - | WEIGHT: - | CUSTOMER DRAWING |

TE Connectivity

SCALE: 4:1 SHEET 1 OF 1 REV: W5