

**SURFACE MOUNT GPP**  
**TRANSIENT VOLTAGE SUPPRESSOR**  
**1500 WATT PEAK POWER 5.0 WATTS STEADY STATE**

**FEATURES**

- \* Plastic package has underwriters laboratory
- \* Glass passivated chip construction
- \* 1500 watt surge capability at 1ms
- \* Excellent clamping capability
- \* Low zener impedance
- \* Fast response time
- \* Halogen-free

**MECHANICAL DATA**

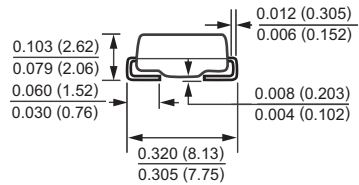
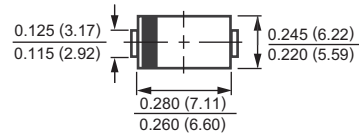
- \* Epoxy: Device has UL flammability classification 94V-O
- \* UL file No.:E211196

**MAXIMUM RATINGS AND ELECTRICAL CHARACTERISTICS**

Ratings at 25°C ambient temperature unless otherwise specified.



**DO-214AB**



Dimensions in inches and (millimeters)

**DEVICES FOR BIPOLAR APPLICATIONS**

For Bidirectional use C or CA suffix for types 1.5FMCJ6.8 thru 1.5FMCJ440

Electrical characteristics apply in both direction

**MAXIMUM RATINGS** (At TA = 25°C unless otherwise noted)

RATINGS	SYMBOL	VALUE	UNITS
Peak Power Dissipation with a 10/1000uS ( Note 1,2, Fig.1 )	PPM	Minimum 1500	Watts
Peak Pulse Current with a 10/1000uS Waveform ( Note 1, Fig.3 )	I <sub>PPM</sub>	SEE TABLE 1	Amps
Steady State Power Dissipation at T <sub>L</sub> = 75°C ( Note 2 )	P <sub>M(AV)</sub>	5.0	Watts
Peak Forward Surge Current, 8.3ms single half sine wave-superimposed on rated load( JEDEC METHOD )( Note 2,3 )	I <sub>FSM</sub>	200	Amps
Typical Current Squared Time	I <sup>2</sup> t	167	A <sup>2</sup> /Sec
Maximum Instantaneous Forward Voltage at 50A for unidirectional only ( Note 3,4 )	V <sub>F</sub>	SEE NOTES 4	Volts
Operating and Storage Temperature Range	T <sub>J</sub> , T <sub>STG</sub>	-55 to + 150	°C

- NOTES : 1. Non-repetitive current pulse, per Fig.3 and derated above TA = 25°C per Fig.2.  
 2. Mounted on 0.31 X 0.31" (8.0 X 8.0mm) copper pads to each terminal.  
 3. Measured on 8.3mS single half sine-wave or equivalent square wave, duty cycle = 4 pulses per minute maximum.  
 4. V<sub>F</sub> = 3.5V on 1.5FMCJ6.8 thru 1.5FMCJ90 devices and V<sub>F</sub> = 5.0V on 1.5FMCJ100 thru 1.5FMCJ440 devices.

2023-02  
REV:H

# RATING AND CHARACTERISTIC CURVES ( 1.5FMCJ6.8 THRU 1.5FMCJ440CA )

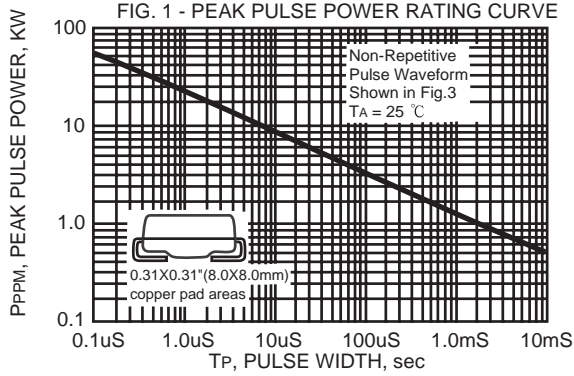


FIG. 3 - PULSE WAVEFORM

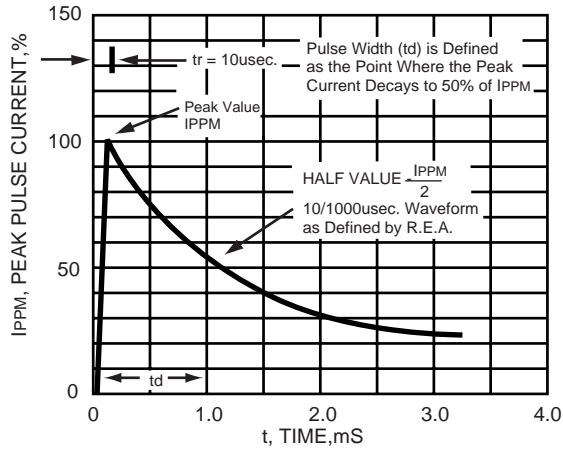


FIG. 5 - STEADY STATE POWER DERATING CURVE

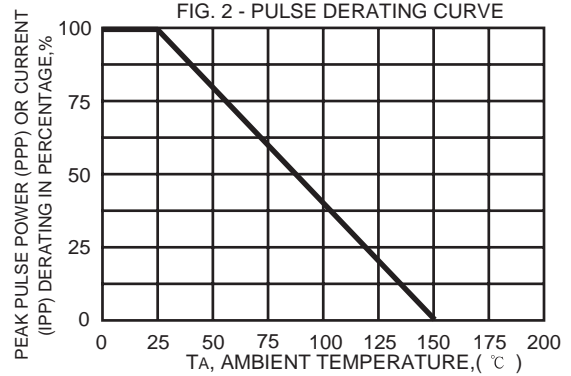
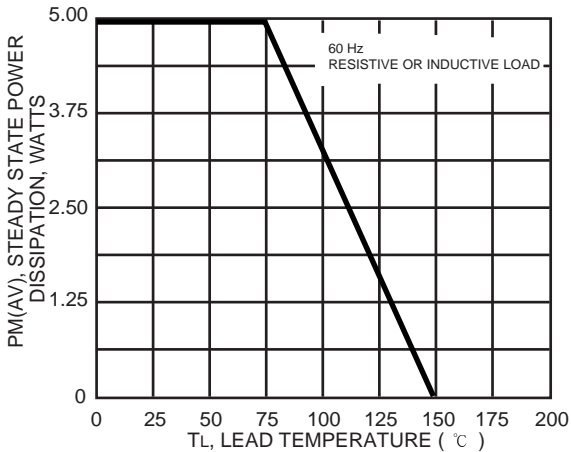


FIG. 4 - MAXIMUM NON-REPETITIVE FORWARD SURGE CURRENT UNIDIRECTIONAL ONLY

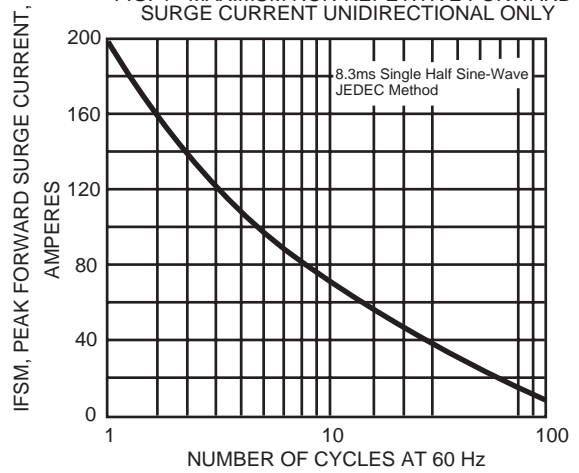
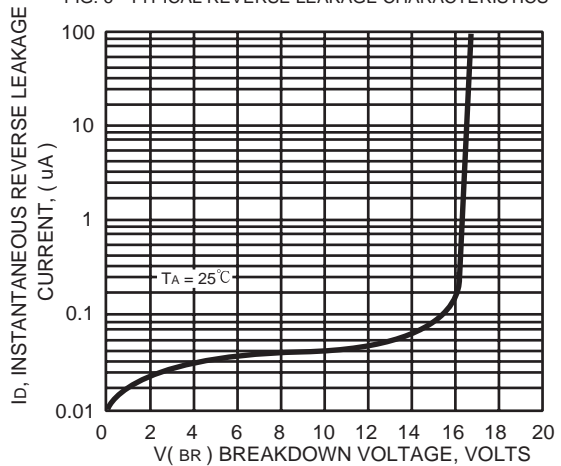


FIG. 6 - TYPICAL REVERSE LEAKAGE CHARACTERISTICS



## TRANSIENT VOLTAGE SUPPRESSORS

1500W SERIES TVS DIODES / DO-214AB ( CASE 4 ) 1500W

TYPE	Breakdown Voltage			Reverse Stand off Voltage V <sub>WM</sub> (Volts)	Maximum Reverse Leakage at V <sub>WM</sub> I <sub>D</sub> (uA)	Maximum Peak Pulse Current I <sub>PPM</sub> (Amps)	Maximum Clamping Voltage at I <sub>PPM</sub> V <sub>C</sub> (Volts)
	V <sub>BR</sub> (Volts)		@I <sub>T</sub> (mA)				
	MIN.	MAX.					
1.5FMCJ6.8	6.12	7.48	10	5.50	1000	139	10.8
1.5FMCJ6.8A	6.45	7.14	10	5.80	1000	143	10.5
1.5FMCJ7.5	6.75	8.25	10	6.05	500	128	11.7
1.5FMCJ7.5A	7.13	7.88	10	6.40	500	133	11.3
1.5FMCJ8.2	7.38	9.02	10	6.63	200	120	12.5
1.5FMCJ8.2A	7.79	8.61	10	7.02	200	124	12.1
1.5FMCJ9.1	8.19	10.0	1.0	7.37	50	109	13.8
1.5FMCJ9.1A	8.65	9.55	1.0	7.78	50	112	13.4
1.5FMCJ10	9.00	11.0	1.0	8.10	10	100	15.0
1.5FMCJ10A	9.50	10.5	1.0	8.55	10	103	14.5
1.5FMCJ11	9.90	12.1	1.0	8.92	5.0	92.6	16.2
1.5FMCJ11A	10.5	11.6	1.0	9.40	5.0	96.2	15.6
1.5FMCJ12	10.8	13.2	1.0	9.72	5.0	86.7	17.3
1.5FMCJ12A	11.4	12.6	1.0	10.2	5.0	89.8	16.7
1.5FMCJ13	11.7	14.3	1.0	10.5	5.0	78.9	19.0
1.5FMCJ13A	12.4	13.7	1.0	11.1	5.0	82.4	18.2
1.5FMCJ15	13.5	16.5	1.0	12.1	5.0	68.2	22.0
1.5FMCJ15A	14.3	15.8	1.0	12.8	5.0	70.8	21.2
1.5FMCJ16	14.4	17.6	1.0	12.9	5.0	63.8	23.5
1.5FMCJ16A	15.2	16.8	1.0	13.6	5.0	66.7	22.5
1.5FMCJ18	16.2	19.8	1.0	14.5	5.0	56.6	26.5
1.5FMCJ18A	17.1	18.9	1.0	15.3	5.0	59.5	25.2
1.5FMCJ20	18.0	22.0	1.0	16.2	5.0	51.5	29.1
1.5FMCJ20A	19.0	21.0	1.0	17.1	5.0	54.2	27.7
1.5FMCJ22	19.8	24.2	1.0	17.8	5.0	47	31.9
1.5FMCJ22A	20.9	23.1	1.0	18.8	5.0	49	30.6
1.5FMCJ24	21.6	26.4	1.0	19.4	5.0	43.2	34.7
1.5FMCJ24A	22.8	25.2	1.0	20.5	5.0	45.2	33.2
1.5FMCJ27	24.3	29.7	1.0	21.8	5.0	38.4	39.1
1.5FMCJ27A	25.7	28.4	1.0	23.1	5.0	40	37.5
1.5FMCJ30	27.0	33.0	1.0	24.3	5.0	34.5	43.5
1.5FMCJ30A	28.5	31.5	1.0	25.6	5.0	36.2	41.4
1.5FMCJ33	29.7	36.3	1.0	26.8	5.0	31.4	47.7
1.5FMCJ33A	31.4	34.7	1.0	28.2	5.0	32.8	45.7
1.5FMCJ36	32.4	39.6	1.0	29.1	5.0	28.8	52.0
1.5FMCJ36A	34.2	37.8	1.0	30.8	5.0	30.1	49.9
1.5FMCJ39	35.1	42.9	1.0	31.6	5.0	26.6	56.4
1.5FMCJ39A	37.1	41.0	1.0	33.3	5.0	27.8	53.9
1.5FMCJ43	38.7	47.3	1.0	34.8	5.0	24.2	61.9
1.5FMCJ43A	40.9	45.2	1.0	36.8	5.0	25.3	59.3
1.5FMCJ47	42.3	51.7	1.0	38.1	5.0	22.1	67.8
1.5FMCJ47A	44.7	49.4	1.0	40.2	5.0	23.1	64.8
1.5FMCJ51	45.9	56.1	1.0	41.3	5.0	20.4	73.5
1.5FMCJ51A	48.5	53.6	1.0	43.6	5.0	21.4	70.1
1.5FMCJ56	50.4	61.6	1.0	45.4	5.0	18.6	80.5
1.5FMCJ56A	53.2	58.8	1.0	47.8	5.0	19.5	77.0

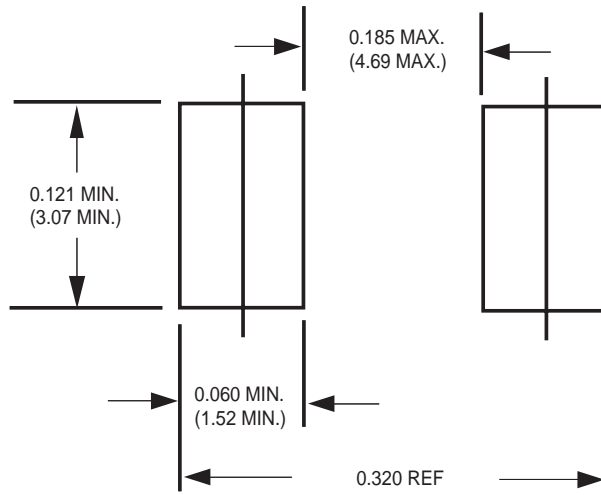
## TRANSIENT VOLTAGE SUPPRESSORS

1500W SERIES TVS DIODES / DO-214AB ( CASE 4 ) 1500W

TYPE	Breakdown Voltage		@I <sub>T</sub> (mA)	Reverse Stand off Voltage V <sub>WM</sub> (Volts)	Maximum Reverse Leakage at V <sub>WM</sub> I <sub>D</sub> ( $\mu$ A)	Maximum Peak Pulse Current I <sub>PPM</sub> (Amps)	Maximum Clamping Voltage at I <sub>PPM</sub> V <sub>C</sub> (Volts)
	V <sub>BR</sub> (Volts)						
	MIN.	MAX.					
1.5FMCJ62	55.8	68.2	1.0	50.2	5.0	16.9	89.0
1.5FMCJ62A	58.9	65.1	1.0	53.0	5.0	17.6	85.0
1.5FMCJ68	61.2	74.8	1.0	55.1	5.0	15.3	98.0
1.5FMCJ68A	64.6	71.4	1.0	58.1	5.0	16.3	92.0
1.5FMCJ75	67.5	82.5	1.0	60.7	5.0	13.9	109
1.5FMCJ75A	71.3	78.8	1.0	64.1	5.0	14.6	104
1.5FMCJ82	73.8	90.2	1.0	66.4	5.0	12.7	118
1.5FMCJ82A	77.9	86.1	1.0	70.1	5.0	13.3	113
1.5FMCJ91	81.9	100	1.0	73.7	5.0	11.5	131
1.5FMCJ91A	86.5	95.5	1.0	77.8	5.0	12.0	125
1.5FMCJ100	90.0	110	1.0	81.0	5.0	10.4	144
1.5FMCJ100A	95.0	105	1.0	85.5	5.0	10.9	137
1.5FMCJ110	99.0	121	1.0	89.2	5.0	9.9	158
1.5FMCJ110A	105	116	1.0	94.0	5.0	10.3	152
1.5FMCJ120	108	132	1.0	97.2	5.0	9.1	173
1.5FMCJ120A	114	126	1.0	102	5.0	9.5	165
1.5FMCJ130	117	143	1.0	105	5.0	8.4	187
1.5FMCJ130A	124	137	1.0	111	5.0	8.7	179
1.5FMCJ150	135	165	1.0	121	5.0	7.3	215
1.5FMCJ150A	143	158	1.0	128	5.0	7.6	207
1.5FMCJ160	144	176	1.0	130	5.0	6.8	230
1.5FMCJ160A	152	168	1.0	136	5.0	7.1	219
1.5FMCJ170	153	187	1.0	138	5.0	6.4	244
1.5FMCJ170A	162	179	1.0	145	5.0	6.7	234
1.5FMCJ180	162	198	1.0	146	5.0	6.1	258
1.5FMCJ180A	171	189	1.0	154	5.0	6.4	246
1.5FMCJ200	180	220	1.0	162	5.0	5.4	287
1.5FMCJ200A	190	210	1.0	171	5.0	5.7	274
1.5FMCJ220	198	242	1.0	175	5.0	4.4	344
1.5FMCJ220A	209	231	1.0	185	5.0	4.6	328
1.5FMCJ250	225	275	1.0	202	5.0	4.2	360
1.5FMCJ250A	237	263	1.0	214	5.0	4.4	344
1.5FMCJ300	270	330	1.0	243	5.0	3.5	430
1.5FMCJ300A	285	315	1.0	256	5.0	3.7	414
1.5FMCJ350	315	358	1.0	284	5.0	3.0	504
1.5FMCJ350A	333	368	1.0	300	5.0	3.2	482
1.5FMCJ400	360	440	1.0	324	5.0	2.6	574
1.5FMCJ400A	380	420	1.0	342	5.0	2.8	548
1.5FMCJ440	396	484	1.0	356	5.0	2.4	631
1.5FMCJ440A	418	462	1.0	376	5.0	2.5	600

- Notes :
1. V<sub>BR</sub> measured after I<sub>T</sub> applied for 300ms. I<sub>T</sub> = square pulse or equivalent.
  2. For bidirectional use C or CA suffixs for all types (ex. 1.5FMCJ6.8C,1.5FMCJ440CA) electrical characteristics apply in both directions.
  3. For bidirectional types having V<sub>WM</sub> of 10 volts and less, the I<sub>PPM</sub> limit is doubled.
  4. UL listed file# E211196.

### Mounting Pad Layout



Dimensions in inches and (millimeters)



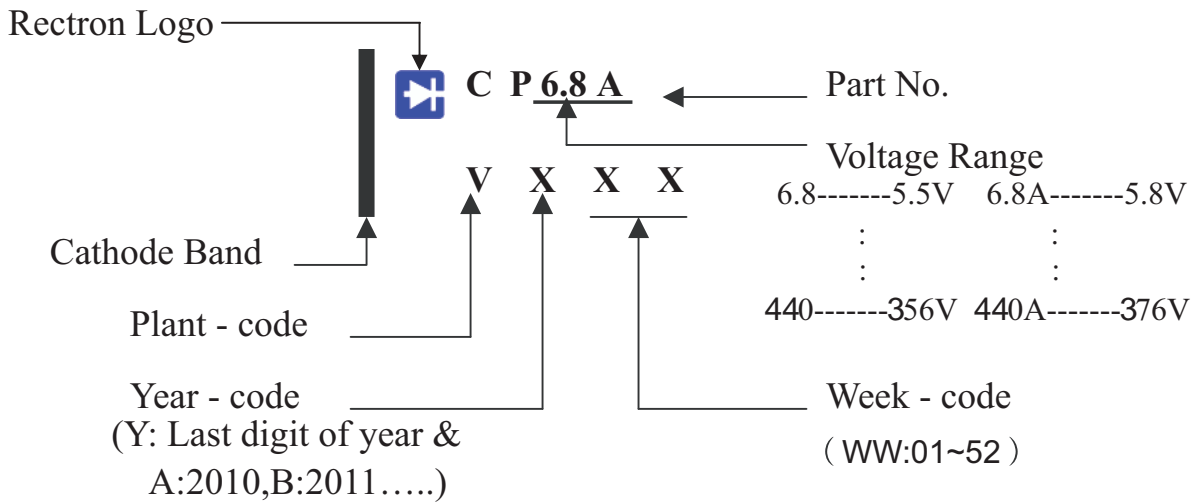
## Attachment information about 1.5FMCJXXX

### 1. Internal Circuit

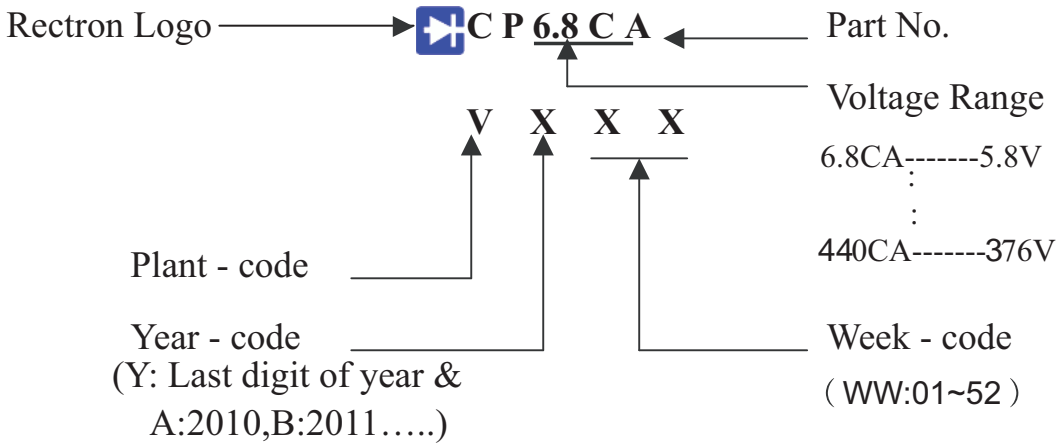


### 2. Marking on the body

#### 2.1 UNIDIRECTIONAL



#### 2.2 BIDIRECTIONAL



## PACKAGING OF DIODE AND BRIDGE RECTIFIERS

### REEL PACK

PACKAGE	PACKING CODE	EA PER REEL	EA PER INNER BOX	COMPONENT SPACE (mm)	TAPE SPACE (mm)	REEL DIA (mm)	CARTON SIZE (mm)	EA PER CARTON	GROSS WEIGHT(Kg)
SMC	-W/T	3,000	3,000	---	---	330	360*355*360	24,000	11.50

## DISCLAIMER NOTICE

Rectron Inc reserves the right to make changes without notice to any product specification herein, to make corrections, modifications, enhancements or other changes. Rectron Inc or anyone on its behalf assumes no responsibility or liability for any errors or inaccuracies. Data sheet specifications and its information contained are intended to provide a product description only. "Typical" parameters which may be included on RECTRON data sheets and/ or specifications can and do vary in different applications and actual performance may vary over time. Rectron Inc does not assume any liability arising out of the application or use of any product or circuit.

Rectron products are not designed, intended or authorized for use in medical, life-saving implant or other applications intended for life-sustaining or other related applications where a failure or malfunction of component or circuitry may directly or indirectly cause injury or threaten a life without expressed written approval of Rectron Inc. Customers using or selling Rectron components for use in such applications do so at their own risk and shall agree to fully indemnify Rectron Inc and its subsidiaries harmless against all claims, damages and expenditures.