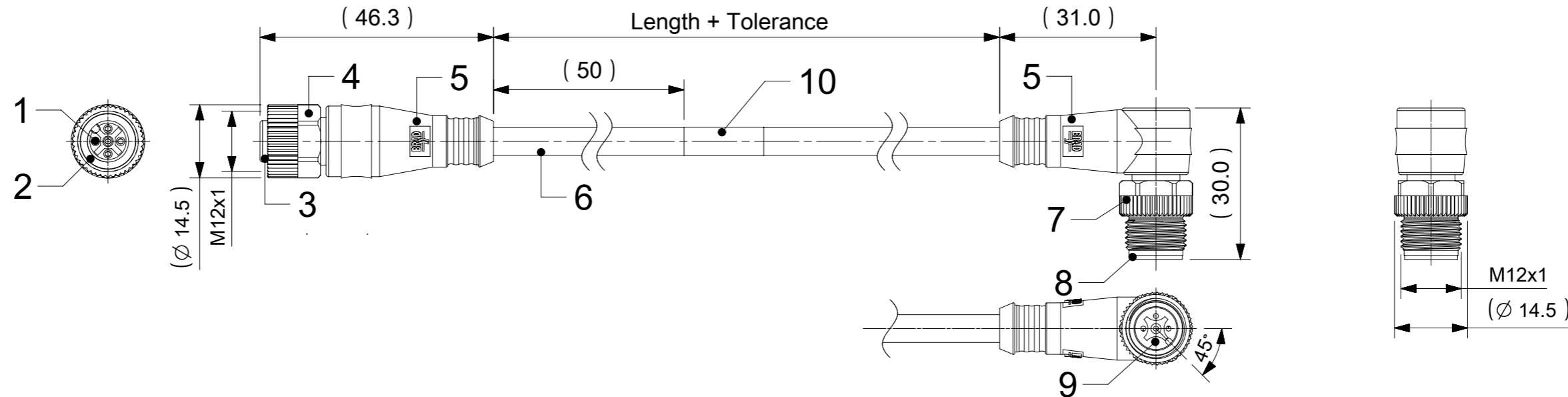
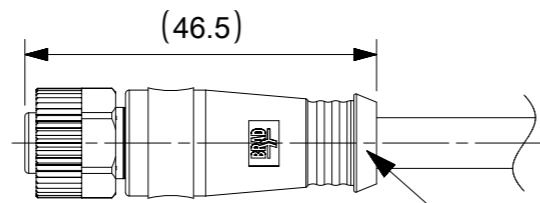


# FEMALE PLUG M12 STRAIGHT TO MALE PLUG M12 90° ANGLED

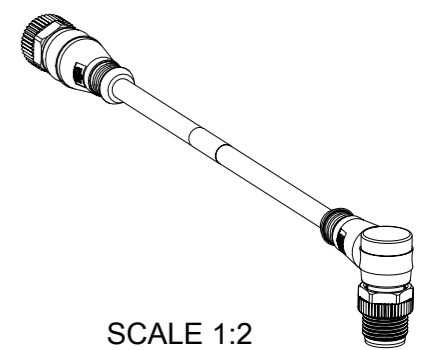
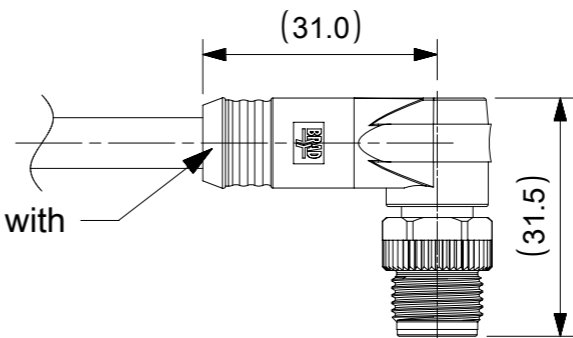


**NOTES:**

RATED VOLTAGE: 3, 4 contacts 250V  
 5 contacts 60V  
 8 contacts 30V  
 RATED CURRENT: 3, 4, 5 contacts 4A  
 8 contacts 2A  
 PROTECTION CLASS: IP 67  
 TEMPERATURE: -25°C / +85°C



Thicker Overmold for Cables with bigger Outer Diameter



**CONTACTS POSITION FRONT VIEW:**

CABLE	3 CONTACTS	4 CONTACTS	5 CONTACTS	5 CONTACTS	8 CONTACTS					
	B30, B55	B30, B33, B36, B55	B30, B33, B36, B55	B42	B41, B49					
FEMALE										
MALE										
CONNECTIONS	PIN	WIRE	PIN	WIRE	PIN	WIRE	PIN	WIRE	PIN	WIRE
	1	BROWN	1	BROWN	1	BROWN	1	BROWN	1	WHITE
	2	---	2	WHITE	2	WHITE	2	WHITE	2	BROWN
	3	BLUE	3	BLUE	3	BLUE	3	BLUE	3	GREEN
	4	BLACK	4	BLACK	4	BLACK	4	BLACK	4	YELLOW
	5	---	5	---	5	GREY	5	GREEN/YELLOW	5	GREY
							5		6	PINK
									7	BLUE
								8	RED	

CODING REQUIRED TO IEC 61076-2-101

**FOR OPTIONS SEE - NUMERICAL CODE - ON SHEET 2**

ITEM	QTY.	DESCRIPTION	MATERIAL	FINISH
11	SEE PN MATRIX	I/D CARRIER	PVC	TRANSPARENT
10	1	LABEL YELLOW	VINYL	---
9	8 3 / 4 / 5	CONTACT M12 MALE	BRASS	SELECTIVE GOLD
			COPPER	OVER NICKEL
8	1	INSERT MALE BLACK	TPU	---
7	1	COUPLING NUT MALE SW13	BRASS	NICKEL
6	-	CABLE	SEE SHEET 2	---
5	-	OVERMOULDING BLACK	TPU	---
4	1	COUPLING NUT FEMALE SW13	BRASS	NICKEL
3	1	INSERT FEMALE BLACK	TPU	---
2	1	ORING RED	FPM	---
1	8 3 / 4 / 5	CONTACT M12 FEMALE	BRASS	SELECTIVE GOLD
			BRONZE	OVER NICKEL

THIS DRAWING CONTAINS INFORMATION THAT IS PROPRIETARY TO MOLEX ELECTRONIC TECHNOLOGIES, LLC AND SHOULD NOT BE USED WITHOUT WRITTEN PERMISSION

**molex**

CSE M12 XP AC FE RA WSOR MA RA XM DE

PRODUCT CUSTOMER DRAWING

DOCUMENT NUMBER: 1200668920  
 DOC TYPE: PSD  
 DOC PART: 000  
 REVISION: A3

EC NO: 732259  
 DRWN: SANTHN 2022/12/15  
 CHK'D: GGA 2022/12/21  
 APPR: GGA 2022/12/21

INITIAL REVISION:  
 DRWN: JMARSZALEK 2016/10/17  
 APPR: RSILLER 2016/10/18

DRAFT WHERE APPLICABLE MUST REMAIN WITHIN DIMENSIONS

THIRD ANGLE PROJECTION

DRAWING: A3-SIZE  
 SERIES: 120066  
 MATERIAL NUMBER: SEE PART LIST  
 CUSTOMER: GENERAL MARKET  
 SHEET NUMBER: 1 OF 3

ENGINEERING NO. - NUMERICAL CODE (Available parts see PART LIST table. Other parts available upon request).

OPTIONS

8 8 X 0 3 2 X X X X X X X X

88=M12x1  
Double ended

Poles:  
3=3 Contacts  
4=4 Contacts  
5=5 Contacts  
8=8 Contacts

Heads style:  
032=Plug Female Straight  
to Plug Male 90°

Cable type: See Table

Units:  
M=Meter  
C=Centimeter

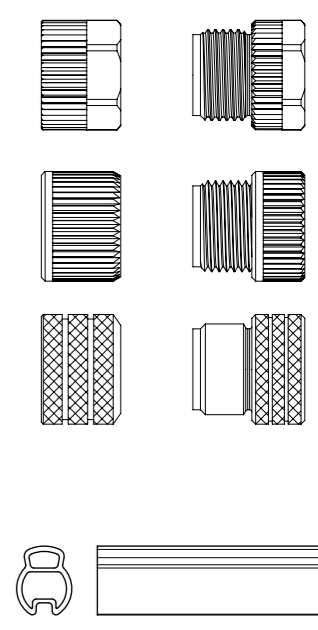
Length  
Examples:  
005=0.5 unit  
010=1 unit  
100=10 unit

Overmold color:  
Blank (Standard)=Black  
A=Grey / G=Black / Y=Yellow / R=Red

Coupling Nut:  
Blank (Standard)=Knurled/Hex Brass, Ni Plated  
5=Knurled Derlin  
7=Knurled Brass Ni Plated, Teflon Coated

H= 2 pcs. of I/D Carrier PVC Transparent  
(Cables B36 always with 2 pcs. I/D Carrier)

COUPLING NUT  
FEMALE MALE



CABLE INFORMATION (for more information see Cable Data Sheet).

CABLE TYPE	NO. OF WIRES	CROSS SECTION	CABLE JACKET	UL	CSA	STATIC: TEMP. / BENDING RADIUS	DYNAMIC: TEMP. / BENDING RADIUS	DRAG CHAIN: TEMP. / BENDING RADIUS	DRAG CHAIN	CABLE PRODUCT SPECIFICATION	CABLE SPEC. DRAWING
B30	3 / 4 / 5	0.34mm <sup>2</sup>	TPU Black	UL 21215/758	C22.2 I/II A/B 80°/600V	-40°C to +90°C >5xO.D.	-25°C to +80°C >7.5xO.D.	-5°C to +60°C >7.5xO.D.	up to 5 000 000 cycles at temp 20°C	1552200001	SD-120209-001
B33	4 / 5	0.34mm <sup>2</sup>	TPU Gray								SD-120209-001
B36	4 / 5	0.34mm <sup>2</sup>	TPU Orange								SD-120209-001
B41	8	0.25mm <sup>2</sup>	TPU Black								SD-120209-006
B42	5	0.34mm <sup>2</sup>	TPU Black								SD-120209-001
B49	8	0.25mm <sup>2</sup>	TPU Orange								SD-120209-006
B55	3 / 4 / 5	0.34mm <sup>2</sup>	TPU Yellow								n/a

CABLE LENGTH TOLERANCES

LENGTH	TOLERANCE
0m-1m	+40 mm
>1m-5m	+60 mm
>5m-10m	+80 mm
>10m-20m	+140 mm
>20m-30m	+160 mm
>30m	+1% length

THIS DRAWING CONTAINS INFORMATION THAT IS PROPRIETARY TO MOLEX ELECTRONIC TECHNOLOGIES, LLC AND SHOULD NOT BE USED WITHOUT WRITTEN PERMISSION

DIMENSION UNITS <b>mm</b>	SCALE <b>1:1</b>	CURRENT REV DESC: REMOVED OBSOLETE PART NUMBER AS PER PCN#512871.	<b>molex</b>		
GENERAL TOLERANCES (UNLESS SPECIFIED)					
ANGULAR TOL ± 1.0 °			PRODUCT CUSTOMER DRAWING		
4 PLACES ±	EC NO: 732259	2022/12/15	DOCUMENT NUMBER		
3 PLACES ±	DRWN: SANTHN	2022/12/21	DOC TYPE DOC PART REVISION		
2 PLACES ± 0.05	CHK'D: GGA	2022/12/21	1200668920 PSD 000 A3		
1 PLACE ± 0.3	APPR: GGA	2022/12/21	INITIAL REVISION:		
0 PLACES ± 0.5	DRWN: JMARSZALEK	2016/10/17	MATERIAL NUMBER		
DRAFT WHERE APPLICABLE MUST REMAIN WITHIN DIMENSIONS		APPR: RSILLER	2016/10/18	CUSTOMER	
THIRD ANGLE PROJECTION		DRAWING	SERIES	SHEET NUMBER	
A3-SIZE		120066	SEE PART LIST	GENERAL MARKET 2 OF 3	


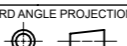
# PART LIST

No.	Part No.	Engineering No.	Cable Length
1	1200668918	883032B30M006	0.6m
2	1200668919	883032B30M010	1m
3	1200668920	883032B30M020	2m
4	1200668921	883032B30M030	3m
5	1200668922	883032B30M050	5m
6	1200668923	883032B30M100	10m
7	1200668924	884032B30M006	0.6m
8	1200668925	884032B30M010	1m
9	1200668926	884032B30M020	2m
10	1200668927	884032B30M030	3m
11	1200668928	884032B30M050	5m
12	1200668929	884032B30M100	10m
13	1200668930	885032B42M006	0.6m
14	1200668931	885032B42M010	1m
15	1200668932	885032B42M020	2m
16	1200668933	885032B42M030	3m
17	1200668934	885032B42M050	5m
18	1200668935	885032B42M100	10m
19	1200669003	885032B30M006	0.6m
20	1200669004	885032B30M010	1m
21	1200669005	885032B30M020	2m
22	1200669006	885032B30M030	3m
23	1200669007	885032B30M050	5m
24	1200669008	885032B30M100	10m
25	1200669075	884032B36M0057Y	0.5m
26	1200669076	884032B36M0107Y	1m
27	1200669077	884032B36M0157Y	1.5m
28	1200669078	884032B36M0207Y	2m
29	1200669079	884032B36M0307Y	3m
30	1200669080	884032B36M0407Y	4m
31	1200669081	884032B36M0507Y	5m
32	1200669082	884032B36M0607Y	6m
33	1200669083	884032B36M0807Y	8m
34	1200669084	884032B36M1007Y	10m
35	1200669085	884032B36M1207Y	12m

No.	Part No.	Engineering No.	Cable Length
36	1200669086	884032B36M1507Y	15m
37	1200669087	884032B36M2007Y	20m
38	1200669088	884032B36M2507Y	25m
39	1200669089	884032B36M3007Y	30m
40	1200669090	885032B36M0057Y	0.5m
41	1200669091	885032B36M0107Y	1m
42	1200669092	885032B36M0207Y	2m
43	1200669093	885032B36M0307Y	3m
44	1200669094	885032B36M0407Y	4m
45	1200669095	885032B36M0507Y	5m
46	1200669096	885032B36M0607Y	6m
47	1200669097	885032B36M0807Y	8m
48	1200669098	885032B36M1007Y	10m
49	1200669099	885032B36M1207Y	12m
50	1200669100	885032B36M1507Y	15m
51	1200669101	885032B36M1807Y	18m
52	1200669102	885032B36M2007Y	20m
53	1200669103	885032B36M2507Y	25m
54	1200669104	885032B36M3007Y	30m
55	1200669627	884032B33M010A	1m
56	1200669628	884032B33M020A	2m
57	1200669629	884032B33M030A	3m
58	1200669630	884032B33M050A	5m
59	1200669631	884032B33M100A	10m
60	1200669632	884032B33M150A	15m
61	1200669633	884032B33M200A	20m
62	1200669686	885032B33M010A	10m
63	1200669687	885032B33M020A	20m
64	1200669688	885032B33M030A	30m
65	1200669689	885032B33M050A	5m
66	1200669690	885032B33M100A	10m
67	1200669691	885032B33M150A	15m
68	1200669692	885032B33M200A	20m
69	1200669634	884032B30M150	15m
70	1200669635	884032B30M200	20m

No.	Part No.	Engineering No.	Cable Length
71	1200669693	885032B30M150	15m
72	1200669694	885032B30M200	20m
73	1200669636	884032B55M010Y	10m
74	1200669637	884032B55M020Y	2m
75	1200669638	884032B55M030Y	3m
76	1200669639	884032B55M050Y	5m
77	1200669640	884032B55M100Y	10m
78	1200669641	884032B55M150Y	15m
79	1200669642	884032B55M200Y	20m
80	1200669695	885032B55M010Y	1m
81	1200669696	885032B55M020Y	2m
82	1200669697	885032B55M030Y	3m
83	1200669698	885032B55M050Y	5m
84	1200669699	885032B55M100Y	10m
85	1200669700	885032B55M150Y	15m
86	1200669701	885032B55M200Y	20m
87	1200669889	884032B33M005A	0.5m
88	1200669912	885032B33M005A	0.5m
89	1200669913	885032B33M300A	30m
90	1200669914	885032B33M400A	40m
91	1200669915	885032B33M500A	50m
92			
93			
94			
95			
96			
97			
98			
99			
100			
101			
102			
103			
104			
105			

No.	Part No.	Engineering No.	Cable Length
106			
107			
108			
109			
110			
111			
112			
113			
114			
115			
116			
117			
118			
119			
120			
121			
122			
123			
124			
125			
126			
127			
128			
129			
130			
131			
132			
133			
134			
135			
136			
137			
138			
139			
140			

THIS DRAWING CONTAINS INFORMATION THAT IS PROPRIETARY TO MOLEX ELECTRONIC TECHNOLOGIES, LLC AND SHOULD NOT BE USED WITHOUT WRITTEN PERMISSION									
DIMENSION UNITS		SCALE		CURRENT REV DESC: REMOVED OBSOLETE PART NUMBER AS PER PCN#512871.					
mm		1:1		 CSE M12 XP AC FE RA WSOR MA RA XM DE					
GENERAL TOLERANCES (UNLESS SPECIFIED)									
ANGULAR TOL ± 1.0 °									
4 PLACES ±									
3 PLACES ±				EC NO: 732259		2022/12/15		DRWN: SANTHN	
2 PLACES ± 0.05				CHK'D: GGA		2022/12/21		APPR: GGA	
1 PLACE ± 0.3				INITIAL REVISION:		2016/10/17		DOCUMENT NUMBER	
0 PLACES ± 0.5				DRWN: JMARSZALEK		2016/10/18		1200668920	
DRAFT WHERE APPLICABLE MUST REMAIN WITHIN DIMENSIONS				THIRD ANGLE PROJECTION		DRAWING		DOC TYPE	
						A3-SIZE		PSD	
				SERIES		MATERIAL NUMBER		DOC PART	
				120066		SEE PART LIST		000	
				CUSTOMER		SHEET NUMBER		REVISION	
				GENERAL MARKET		3 OF 3		A3	