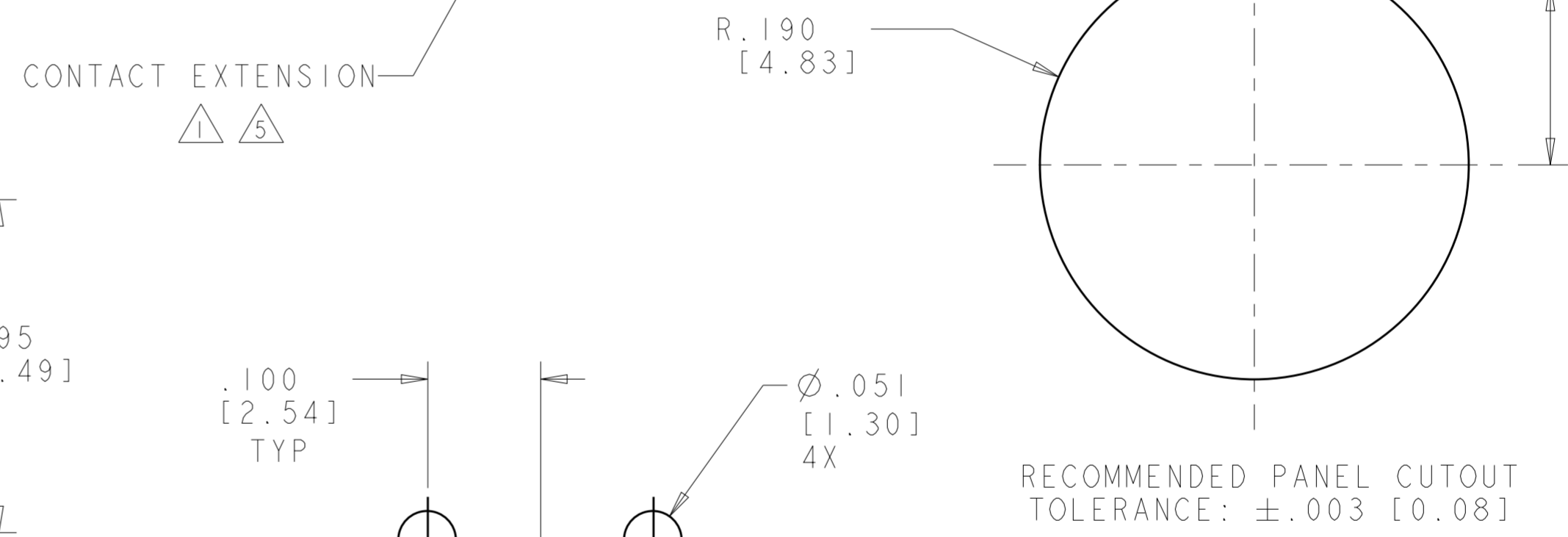
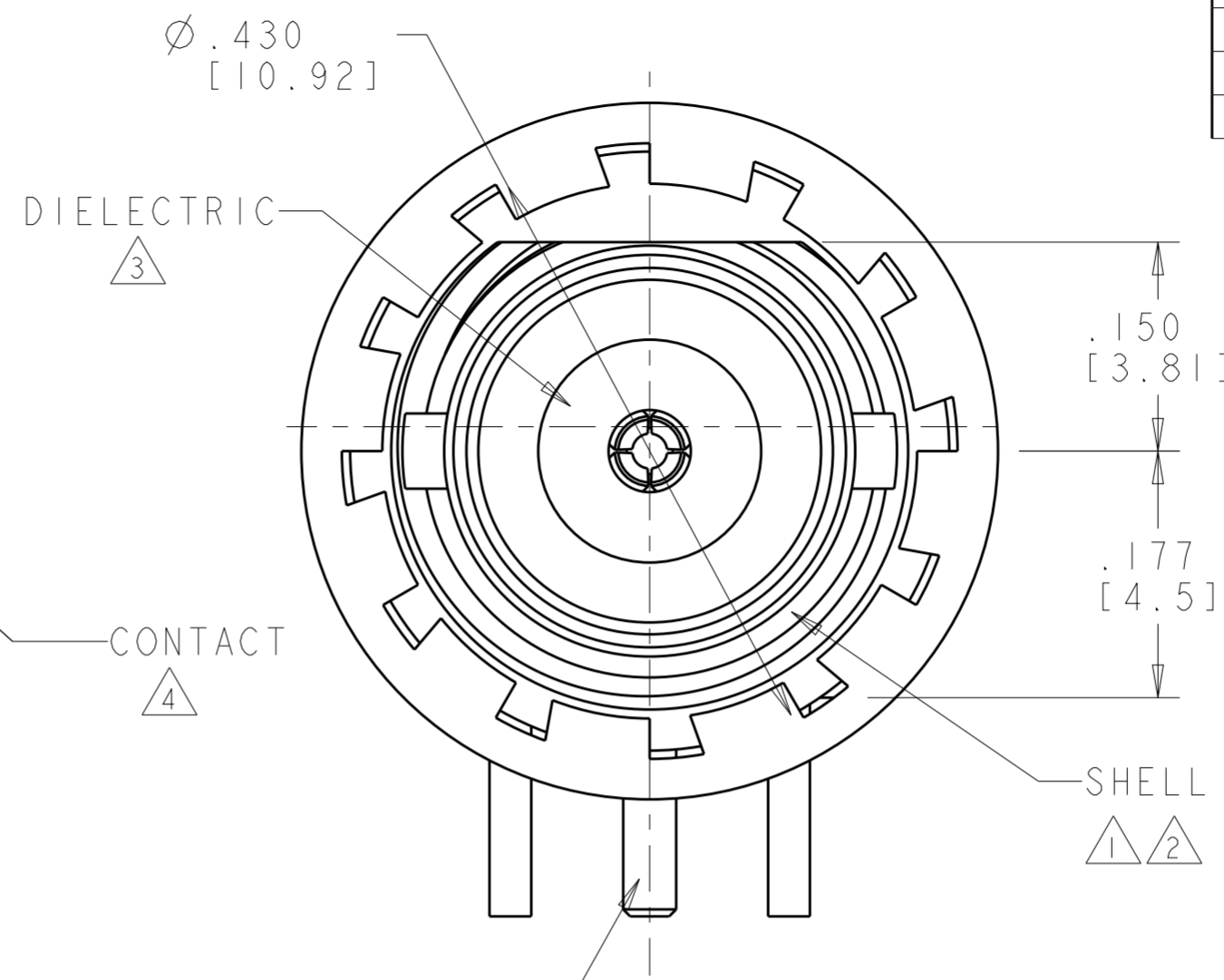
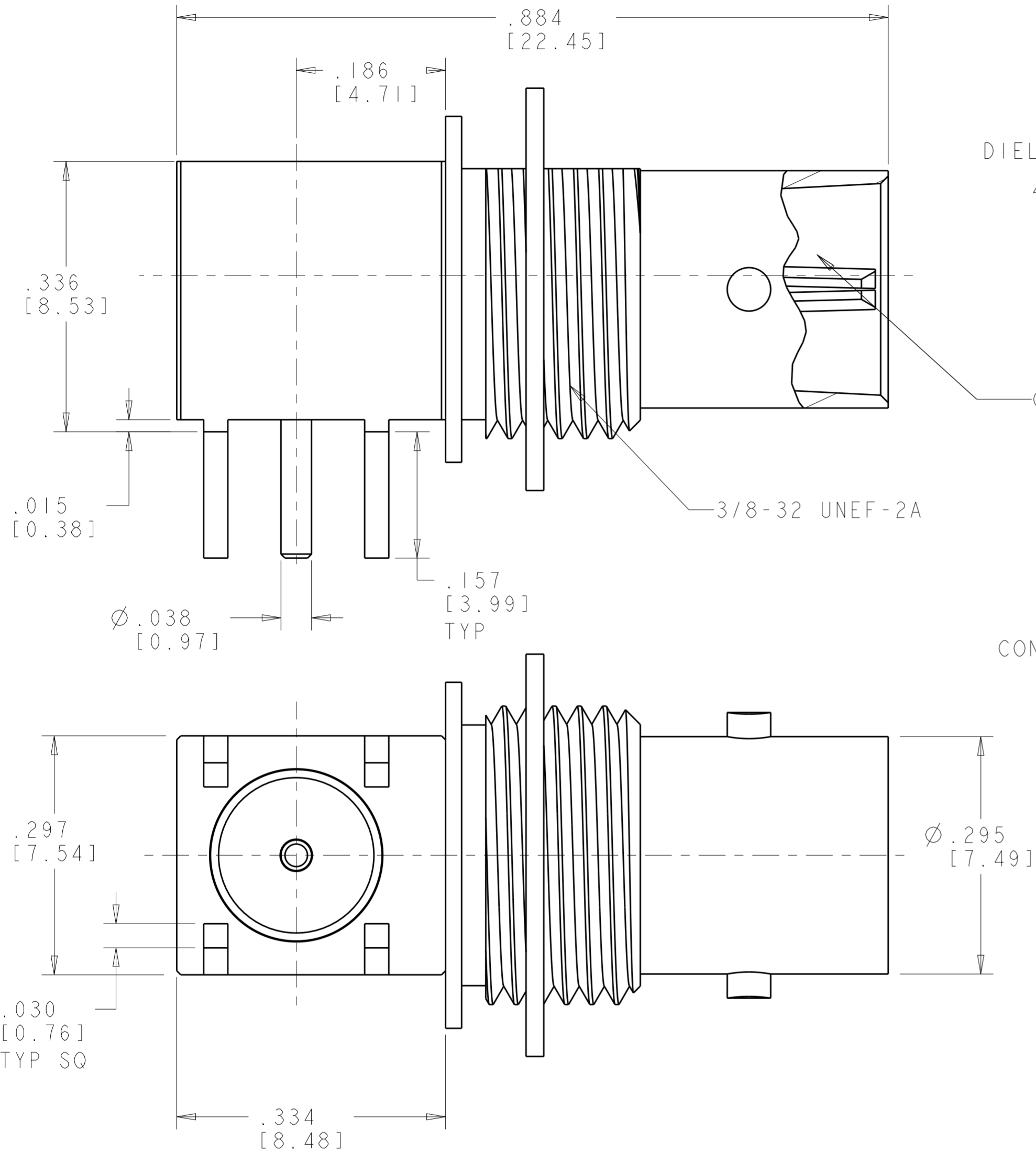


| REVISIONS | | | | | |
|-----------|-----|---------------------------|-----------|-----|------|
| P | LTR | DESCRIPTION | DATE | DWN | APVD |
| D | | REVISED PER ECO-06-020656 | 09OCT2006 | KS | KW |
| DI | | REVISED PER ECR-20-004984 | 03APR2020 | RZ | RS |



- ① BRASS PER ASTM-B-16
- ② NICKEL PLATE PER QQ-N-290
- ③ PTFE PER ASTM-D-1710
- ④ PHOSPHOR BRONZE PER ASTM-B-139
- ⑤ GOLD PLATE PER ASTM-B488, 75µm INCHES [0.0019mm] MINIMUM THICKNESS
- ⑥ GOLD PLATE PER ASTM-B488

| | | |
|--|---------------|-----------------------------------|
| THIS DRAWING IS A CONTROLLED DOCUMENT. | | DWN K. WEIDNER 30 JUL 2003 |
| DIMENSIONS: INCHES [mm] | | CHK G. MICHAEL 08 JAN 2004 |
| TOLERANCES UNLESS OTHERWISE SPECIFIED: | | APVD K. WEIDNER 03 MAR 2004 |
| 0 PLC | ± | PRODUCT SPEC |
| 1 PLC | ± | 108-2159 |
| 2 PLC | ± | APPLICATION SPEC |
| 3 PLC | ±.005 [0.13] | |
| 4 PLC | ± | |
| ANGLES | ±2° | |
| FINISH | | |
| MATERIAL | | WEIGHT |
| material_2 | finish_spec_2 | |

| | |
|----------------|----------------------|
| ⑤ | 1274629-2 |
| ⑥ | 1274629-1 |
| CONTACT FINISH | PART NUMBER |

| | | | |
|-------------------------|------------|--|--------------------|
| TE Connectivity | | NAME JACK, R/A, BULKHEAD, PCB, MINI BNC | |
| | | SIZE A2 | CAGE CODE 00779 |
| DRAWING NO C-1274629 | | RESTRICTED TO | |
| SCALE 8:1 | SHEET 1 | OF 1 | REV DI |