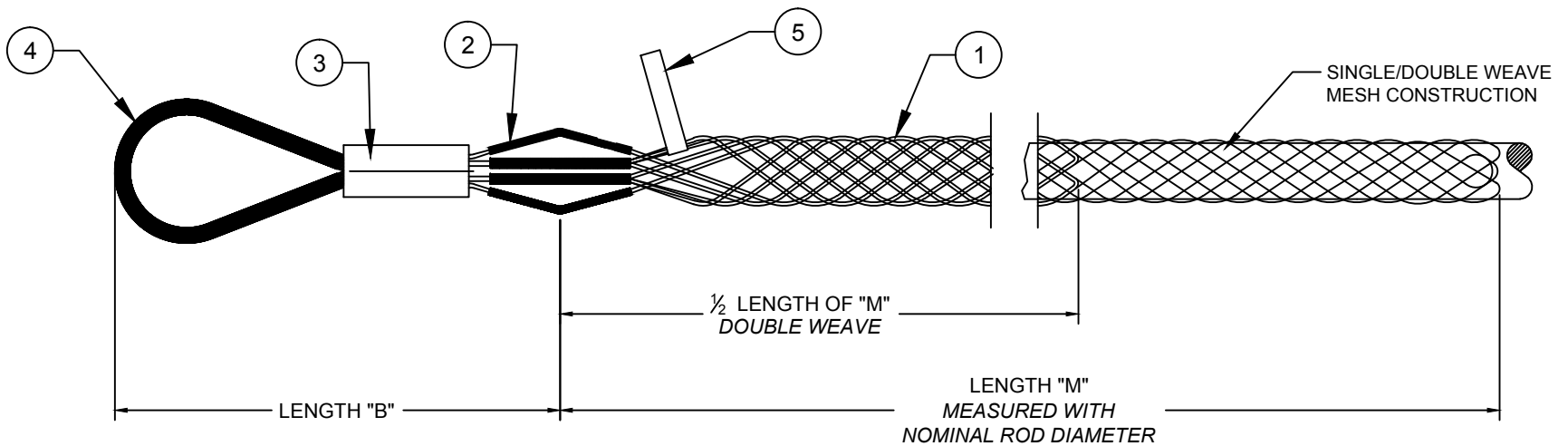


WOODHEAD CATALOG NUMBER	MATERIAL NUMBER	CABLE RANGE	NOMINAL ROD DIAMETER	LENGTH "M"	LENGTH "B"	BREAK STRENGTH* (LBS/N)	UL LISTED	CSA APPROVED	PRODUCT SELECTION NUMBER
35960	1300950188	.75-.99 / 19.1-25.1	0.87 / 22.1	48.00±4.50 / 1219.2±114.3	9.00±1.00 / 228.6±25.4	8100 / 36031	NO	YES	P075-48
35961	1300950189	1.00-1.49 / 25.4-37.8	1.24 / 31.5	48.00±4.50 / 1219.2±114.3	9.00±1.00 / 228.6±25.4	11600 / 51599			P100-48
35962	1300950190	1.50-1.99 / 38.1-50.5	1.74 / 44.2	48.00±4.50 / 1219.2±114.3	11.00±1.00 / 279.4±25.4	19400 / 86295			P150-48
35963	1300950191	2.00-2.49 / 50.8-63.2	2.24 / 56.9	48.00±4.50 / 1219.2±114.3	12.00±1.00 / 304.8±25.4	19400 / 86295			P200-48
35964	1300950192	2.50-2.99 / 63.5-75.9	2.74 / 69.6	48.00±4.50 / 1219.2±114.3	12.00±1.00 / 304.8±25.4	25900 / 115209			P250-48
35965	1300950193	3.00-3.49 / 76.2-88.6	3.24 / 82.3	48.00±4.50 / 1219.2±114.3	14.00±1.50 / 355.6±38.1	25900 / 115209			P300-48
35966	-----	3.50-3.99 / 88.9-101.3	3.74 / 95.0	48.00±4.50 / 1219.2±114.3	14.00±1.50 / 355.6±38.1	32400 / 114122			P350-48

*TO DETERMINE RECOMMENDED WORKING LOAD, DIVIDE BREAK STRENGTH BY 5.



ITEM	DESCRIPTION	MATERIAL
1	WIRE MESH	GALVANIZED STEEL
2	SHOULDER PROTECTOR	POLYURETHANE OR NYLON
3	FERRULE	ALUMINUM
4	BALE PROTECTOR	POLYURETHANE
5	LABEL	MYLAR

RELEASE SALES DRAWING	QUALITY SYMBOLS
EC NO: ICG2014-1487	▽=0
DRWN: HRUIZ01 2014/05/13	▽C=0
CHKD: HKNEELAN 2014/05/13	
APPR: JFMURPHY 2014/10/14	
REV	
A	

GENERAL TOLERANCES (UNLESS SPECIFIED)	
	mm
4 PLACES	±---
3 PLACES	±.005
2 PLACES	±.13
1 PLACE	±.25
ANGULAR ±1/2°	
DRAFT WHERE APPLICABLE MUST REMAIN WITHIN DIMENSIONS	

DIMENSION STYLE	
INCH/MM	
DRAWN BY	DATE
HRUIZ01	2014/05/13
CHECKED BY	DATE
HKNEELAN	2014/05/13
APPROVED BY	DATE
JFMURPHY	2014/10/14
MATERIAL NO.	SEE TABLE
SIZE	A

SCALE	DESIGN UNITS	THIRD ANGLE PROJECTION
NTS	INCH	☉
TITLE		
PULLING GRIPS MEDIUM/HEAVY DUTY LONG LENGTH		
MOLEX INCORPORATED		
MATERIAL NO.	DOCUMENT NO.	SHEET NO.
SEE TABLE	SD-130095-105	1 OF 1
THIS DRAWING CONTAINS INFORMATION THAT IS PROPRIETARY TO MOLEX INCORPORATED AND SHOULD NOT BE USED WITHOUT WRITTEN PERMISSION		