

D-SUB crimp contact - CUC-DSC-J1BAU-S/DSC24 - 1418788

Please be informed that the data shown in this PDF Document is generated from our Online Catalog. Please find the complete data in the user's documentation. Our General Terms of Use for Downloads are valid (<http://phoenixcontact.com/download>)



D-SUB crimp contact, connection method: Crimp connection, connection cross section: AWG 24- 20


Product Description

Standard contact for D-SUB contact inserts

Your advantages

- Various connection methods for every application
- High grade
- Turned contact

Key Commercial Data

Packing unit	100 pc
GTIN	 4 055626 150758
GTIN	4055626150758

Technical data

Mechanical characteristics

Standards/specifications	DIN 41652
Insertion/withdrawal cycles	≥ 200
Connection method	Crimp connection
Type of contact	Socket
Conductor cross section	0.2 mm ² ... 0.5 mm ²
Connection cross section AWG	24 ... 20
Insertion force per signal contact	≤ 3.40 N
Mounting type	Crimp connection
Contact type	turned
Note	Test voltage only in combination with contact insert, order number: 1688861.

D-SUB crimp contact - CUC-DSC-J1BAU-S/DSC24 - 1418788

Technical data

Ambient conditions

Ambient temperature (operation)	-55 °C ... 130 °C
---------------------------------	-------------------

Material data

Contact material	Copper alloy
Contact surface material	0.2 µm, gold over nickel
Height	1.7 mm

Electrical characteristics

Rated current	5 A (at 20 °C)
Test voltage	1500 V

Standards and Regulations

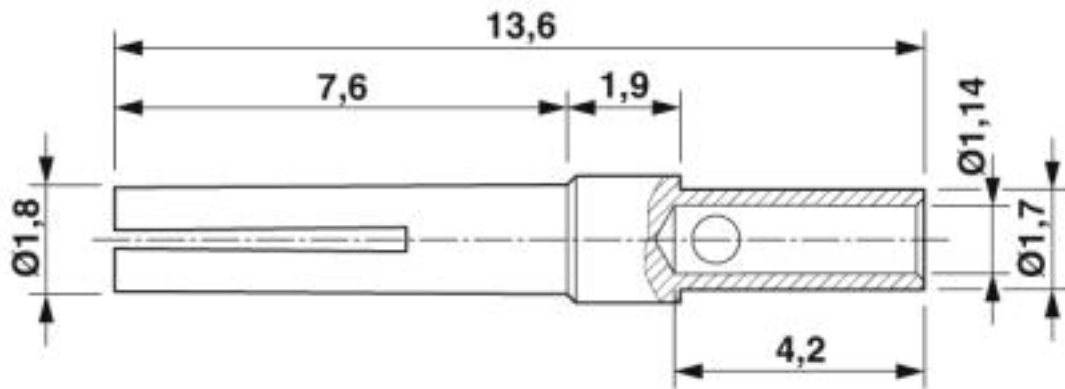
Standards/regulations	DIN 41652
-----------------------	-----------

Environmental Product Compliance

China RoHS	Environmentally friendly use period: unlimited = EFUP-e
	No hazardous substances above threshold values

Drawings

Dimensional drawing



D-SUB crimp contact pin

Approvals

Approvals

Approvals


EAC

Ex Approvals

D-SUB crimp contact - CUC-DSC-J1BAU-S/DSC24 - 1418788

Approvals

Approval details

EAC		B.01742
-----	---	---------

Phoenix Contact 2019 © - all rights reserved
<http://www.phoenixcontact.com>

PHOENIX CONTACT GmbH & Co. KG
Flachsmarktstr. 8
32825 Blomberg
Germany
Tel. +49 5235 300
Fax +49 5235 3 41200
<http://www.phoenixcontact.com>