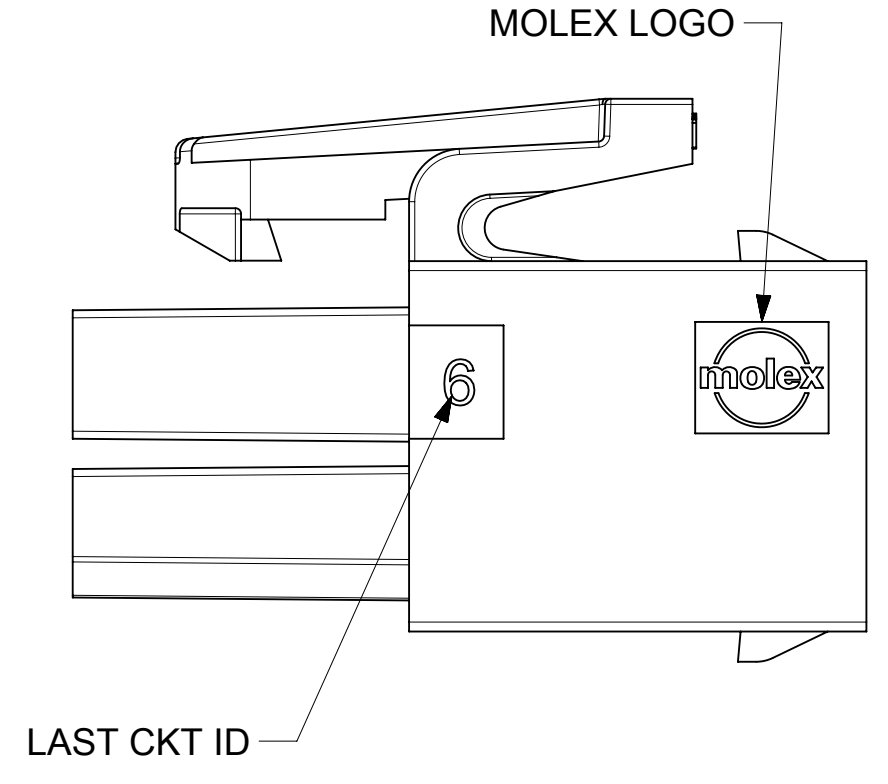
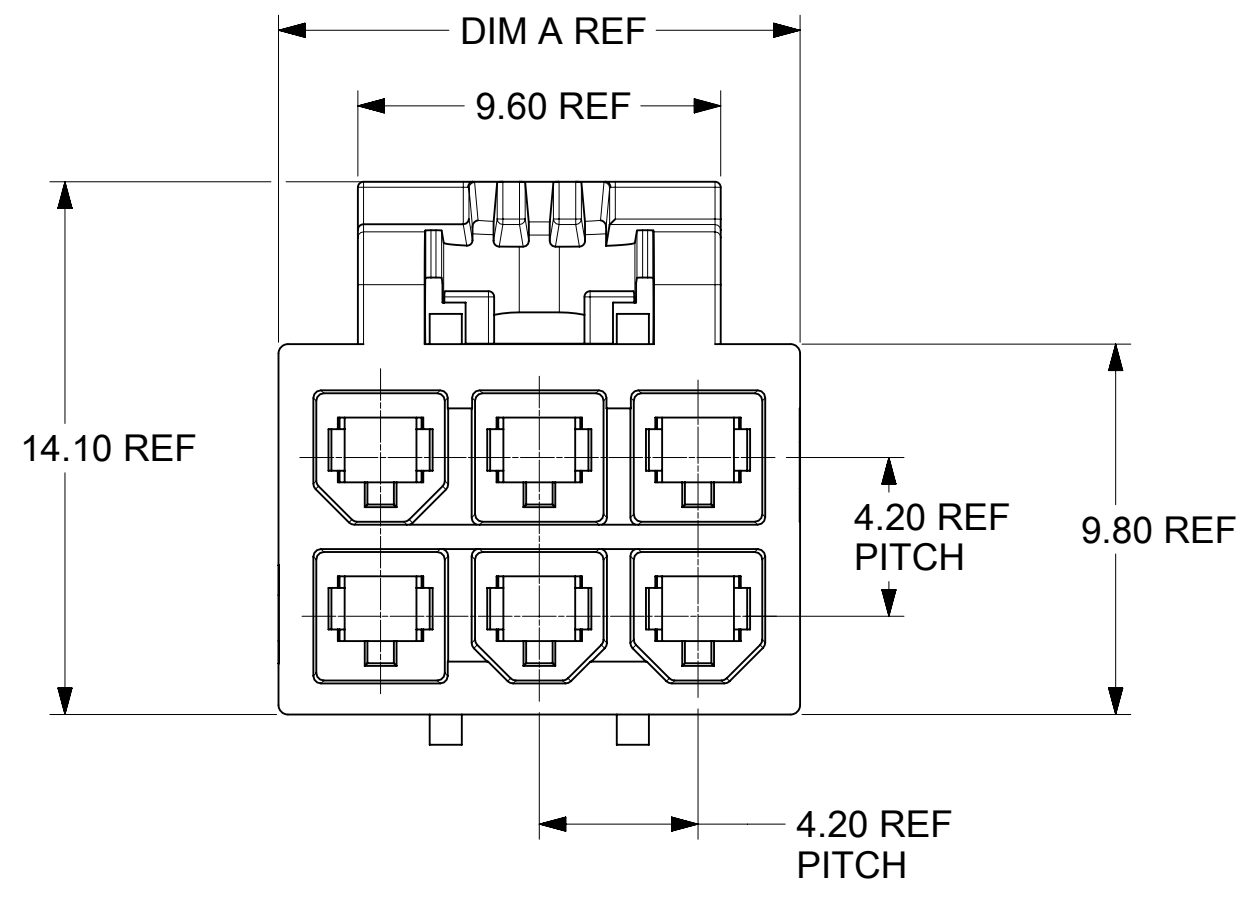
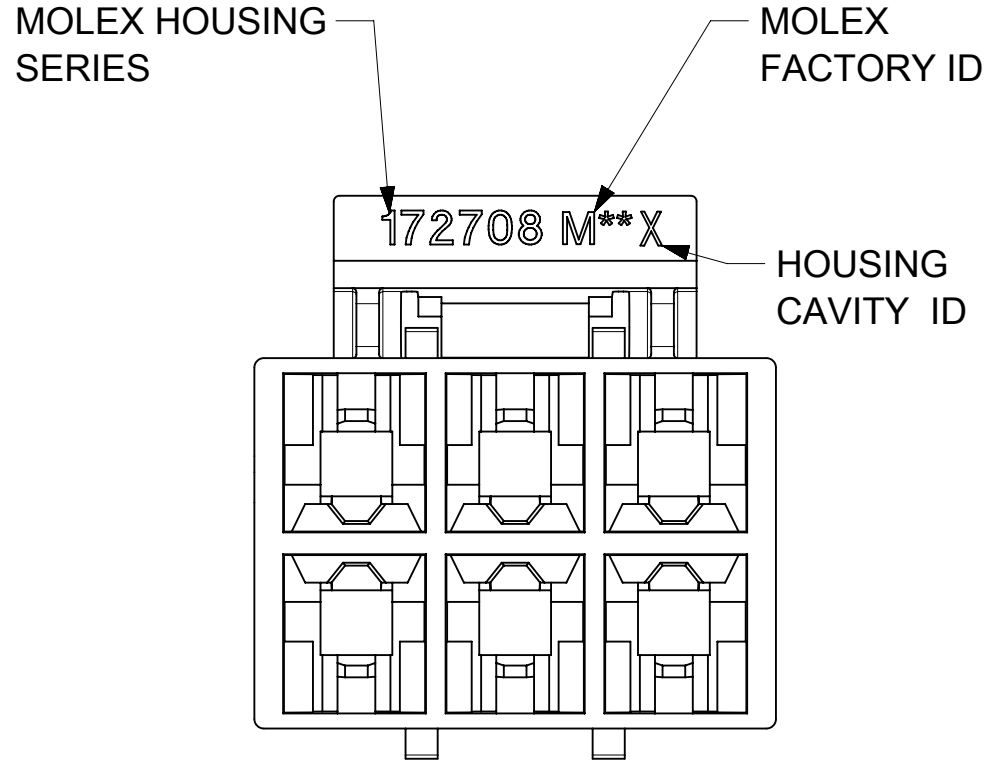
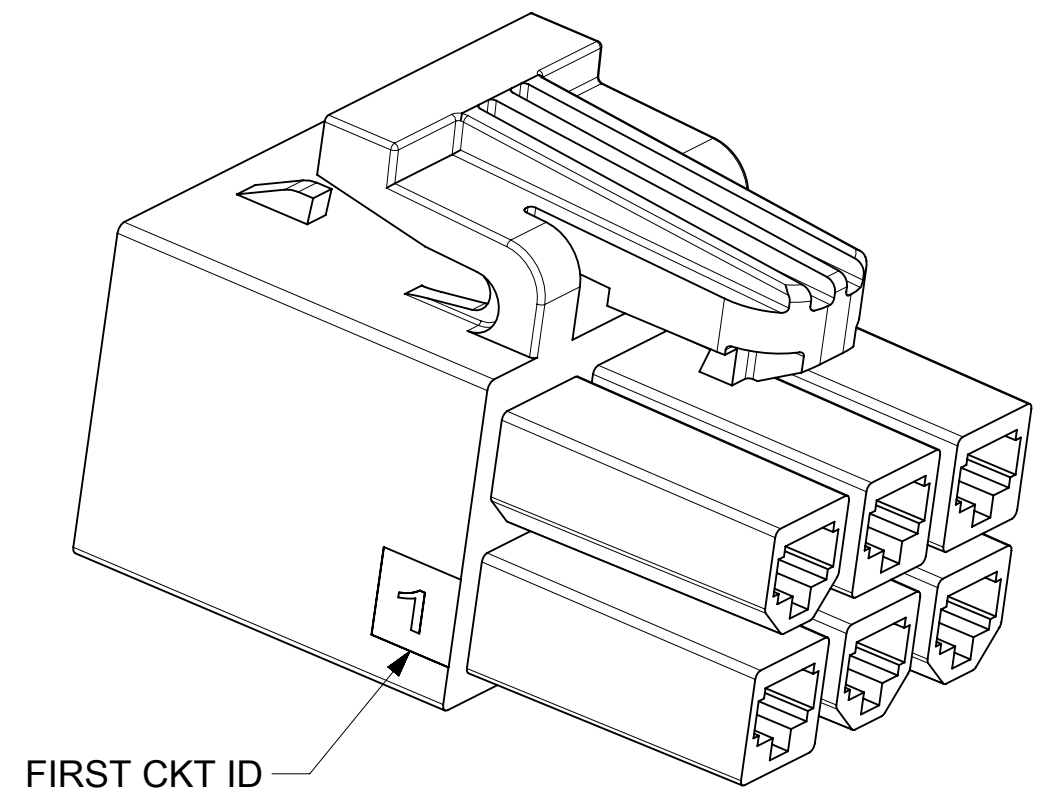
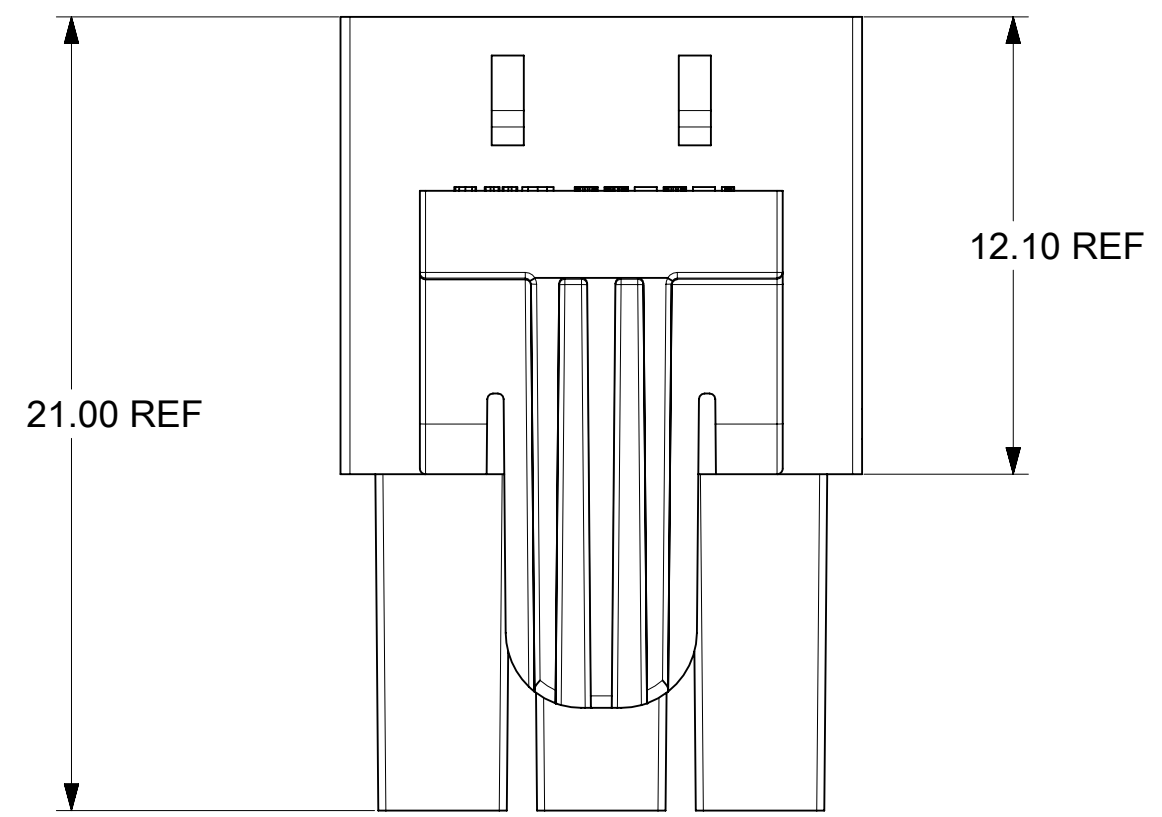


PART NUMBER	CKTS	DIM A
172708-1002	2	9.60
172708-1004	4	9.60
172708-1006	6	13.80
172708-1008	8	18.00
172708-1010	10	22.20
172708-1012	12	26.40
172708-1014	14	30.60
172708-1016	16	34.80
172708-1018	18	39.00

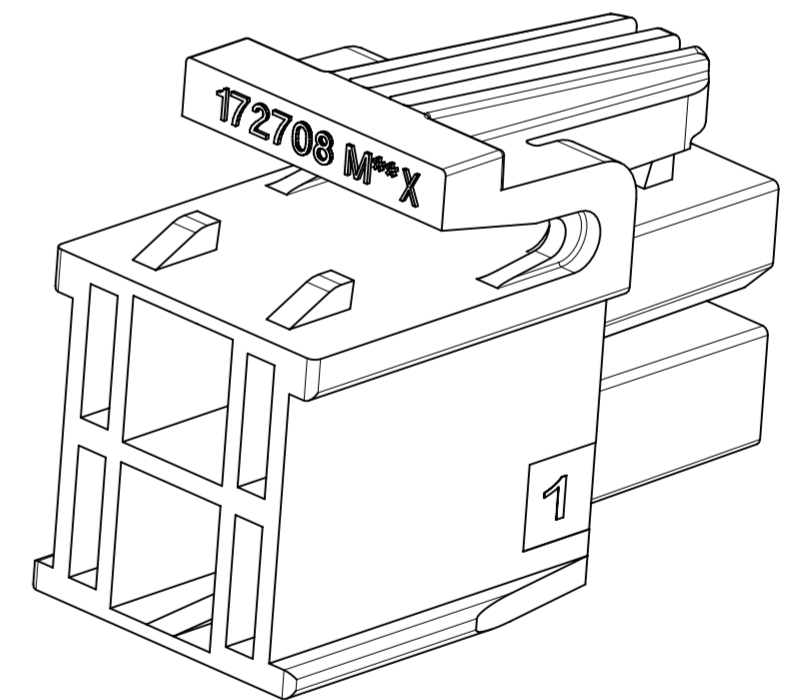
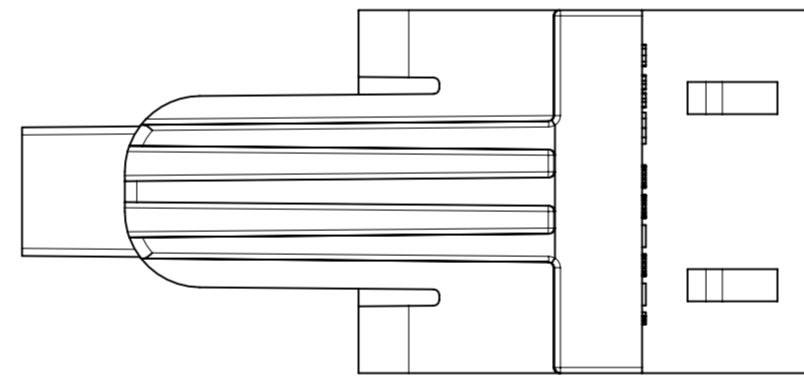
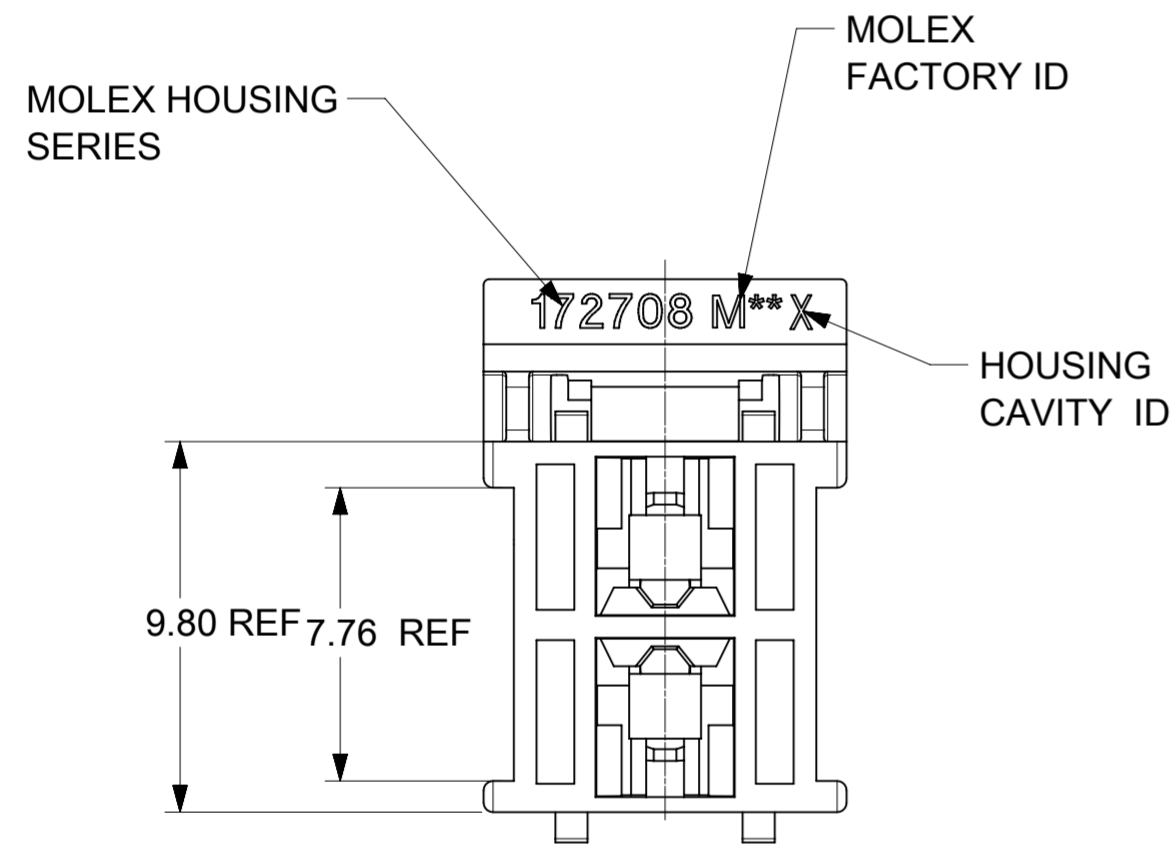
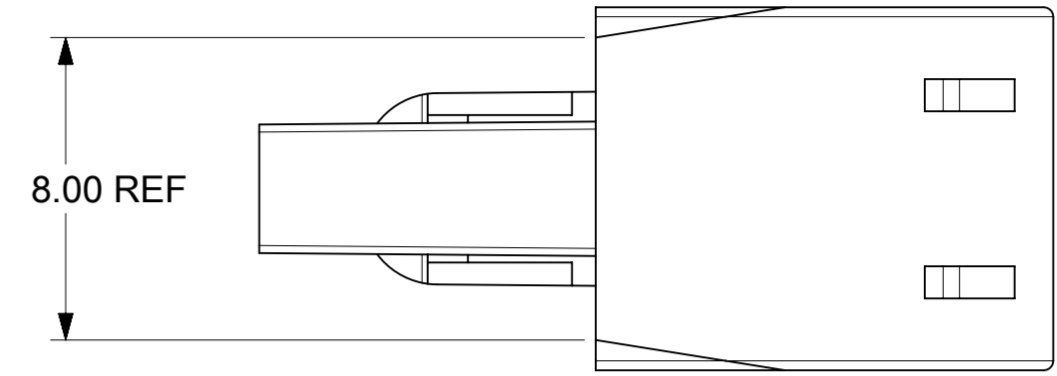
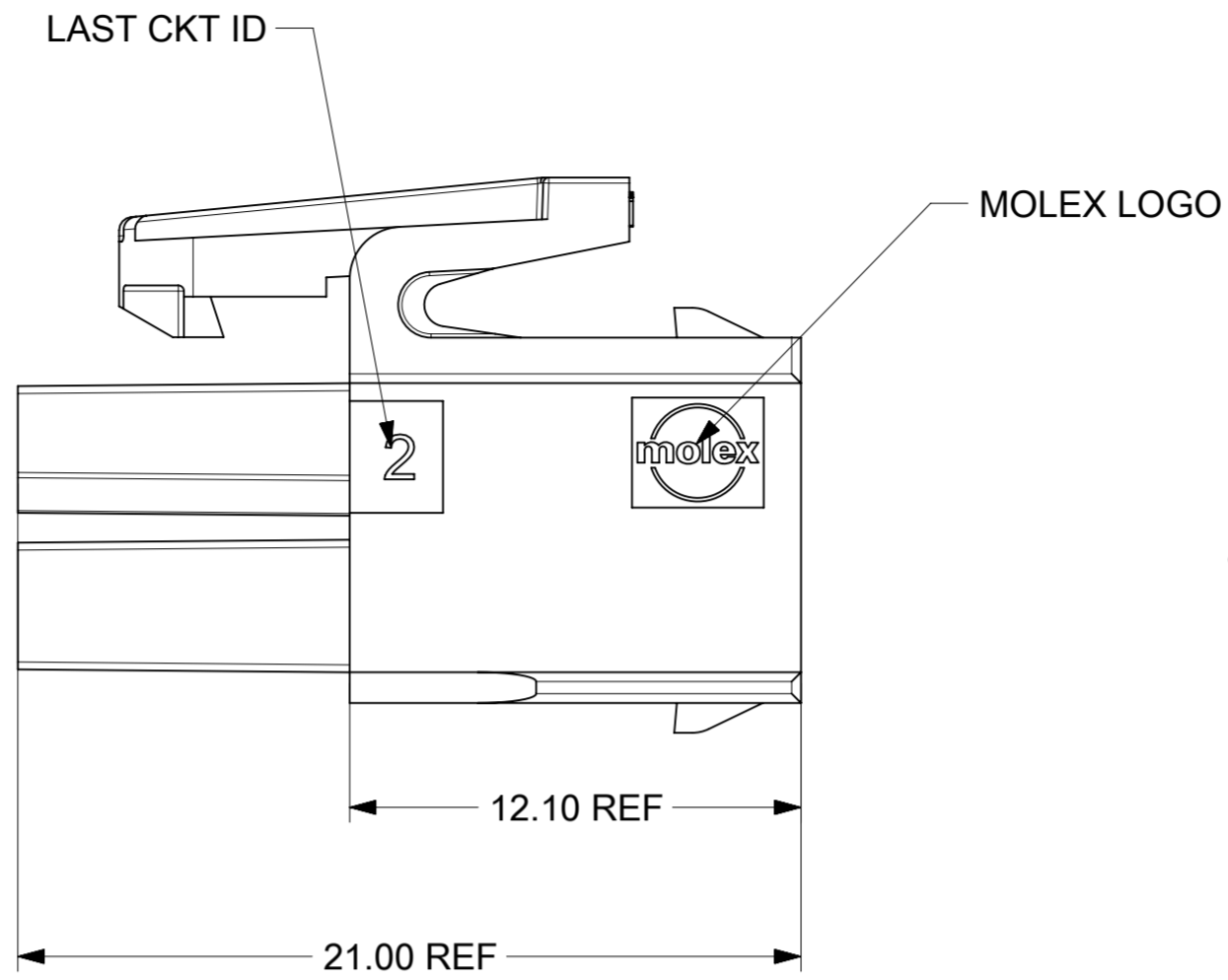
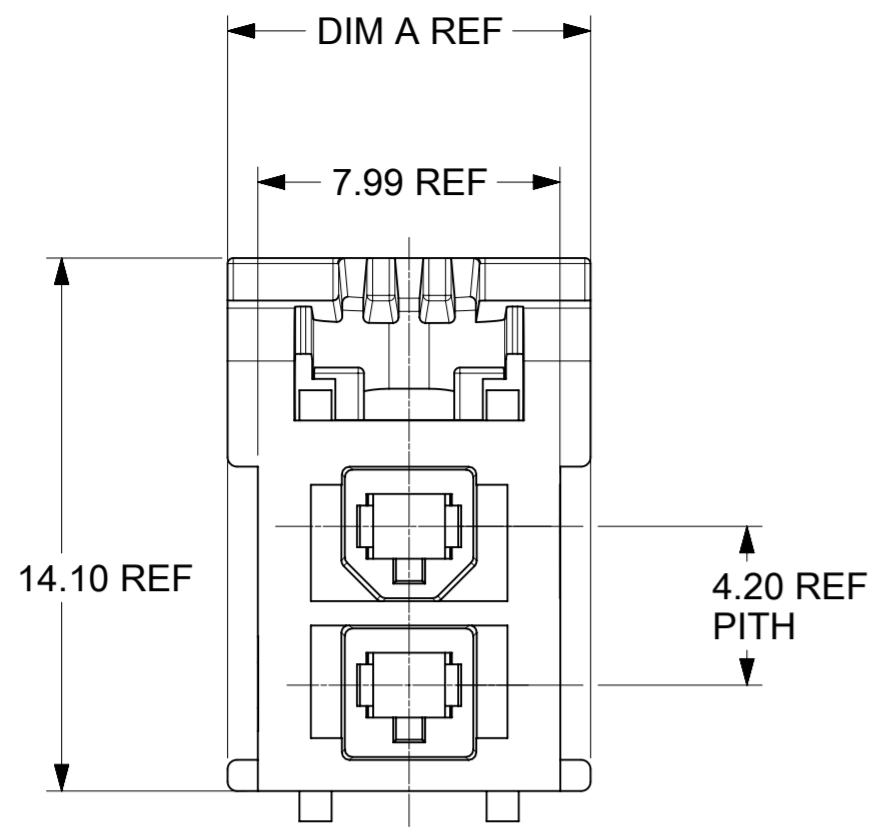


NOTES:

- MATERIAL:
NYLON, UL 94V-0 AND GLOW WIRE CAPABLE PER IEC60335-1; COLOR: BLACK
- FINISH: NONE
- PRODUCT SPECIFICATION: 2131370000-PS, 2029880002-PS
APPLICATION SPECIFICATION: 2131370000-AS
- PACKAGING SPECIFICATION: BULK 1727080002-PK
REFER TO AS-45499-001 FOR MOISTURIZING NYLON CONNECTOR PARTS.
- THIS PART TO BE USED WITH MOLEX SERIES.
FEMALE TERMINAL SERIES: 172718, 202988
TPA SERIES: 172709-2***
PLUG HOUSING SERIES: 172762-1***, 172767-3***
HDR SERIES: 35318,44130,87427,172448,46991,5569,5566,35317,43460,87427,172447 AND 46207.
- THIS PART CONFORMS TO CLASS 'B' REQUIREMENTS OF COSMETIC SPECIFICATION PS-45499-002.
- SEE DRAWING 1727090002-SD FOR OTHER TPA INFORMATION.
- SEE DRAWINGS SD-172718-0000 AND 2029880001-PSD FOR OTHER CRIMP TERMINAL INFORMATION.

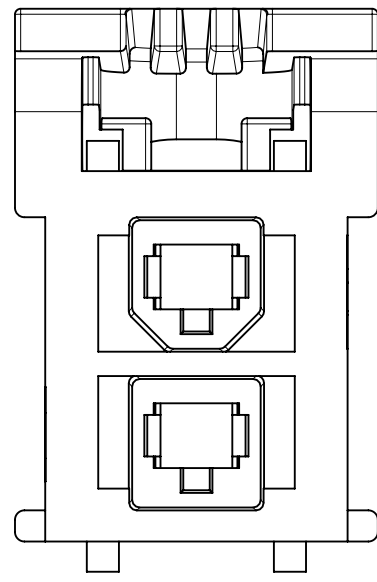
FUNCTIONAL SYMBOLS	THIS DRAWING CONTAINS INFORMATION THAT IS PROPRIETARY TO MOLEX ELECTRONIC TECHNOLOGIES, LLC AND SHOULD NOT BE USED WITHOUT WRITTEN PERMISSION		CURRENT REV DESC:								
DIMENSION UNITS	SCALE	EC NO: 658363									
$\frac{F}{A} = 0$	mm	5:1	DRWN: ALU002 2021/03/17		SD-DRAWING OF MINI-FIT SIGMA REC HOUSING						
$\frac{F}{C} = 0$	GENERAL TOLERANCES (UNLESS SPECIFIED)		CHK'D: YXZHENG 2021/03/17								
$\frac{F}{P} = 0$	ANGULAR TOL ± °		APPR: YXZHENG 2021/03/17		PRODUCT CUSTOMER DRAWING						
DIVISIONAL SYMBOLS	4 PLACES ±		INITIAL REVISION:								
	3 PLACES ±		DRWN: ALU002 2019/06/20		DOCUMENT NUMBER		DOC TYPE		DOC PART		REVISION
	2 PLACES ± 0.25		APPR: AYIN 2019/06/24		1727080002-SD		PSD	000	C4		
	1 PLACE ±				MATERIAL NUMBER		CUSTOMER		SHEET NUMBER		
	0 PLACES ±		DRAFT WHERE APPLICABLE MUST REMAIN WITHIN DIMENSIONS		SEE TABLE		GENERAL MARKET		1 OF 4		

DOCUMENT STATUS	P1	RELEASE DATE	2021/03/17 12:28:51
-----------------	----	--------------	---------------------

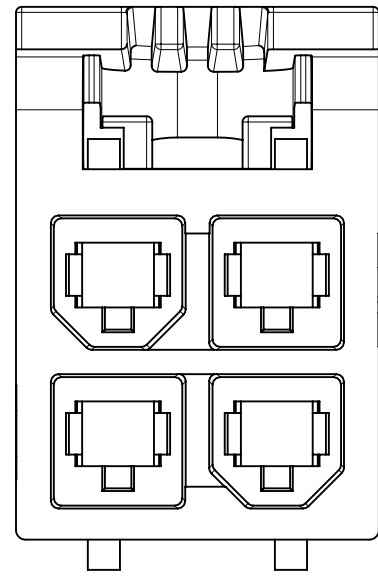


FUNCTIONAL SYMBOLS	THIS DRAWING CONTAINS INFORMATION THAT IS PROPRIETARY TO MOLEX ELECTRONIC TECHNOLOGIES, LLC AND SHOULD NOT BE USED WITHOUT WRITTEN PERMISSION										
	DIMENSION UNITS	SCALE	CURRENT REV DESC:								
$\frac{F}{A} = 0$	mm	5:1	EC NO: 658363								
$\frac{F}{C} = 0$	GENERAL TOLERANCES (UNLESS SPECIFIED)		DRWN: ALU002 2021/03/17							PRODUCT CUSTOMER DRAWING	
$\frac{F}{P} = 0$	ANGULAR TOL ± °		CHK'D: YXZHENG 2021/03/17								
DIVISIONAL SYMBOLS	4 PLACES ±		APPR: YXZHENG 2021/03/17							1727080002-SD	
	3 PLACES ±		INITIAL REVISION:								
	2 PLACES ± 0.25		DRWN: ALU002 2019/06/20							DOC PART	
	1 PLACE ±		APPR: AYIN 2019/06/24								
	0 PLACES ±		DRAFT WHERE APPLICABLE MUST REMAIN WITHIN DIMENSIONS							C4	
	THIRD ANGLE PROJECTION		DRAWING		SERIES		MATERIAL NUMBER		CUSTOMER		
			A2-SIZE		172708		SEE TABLE		GENERAL MARKET		
									SHEET NUMBER		
									2 OF 4		

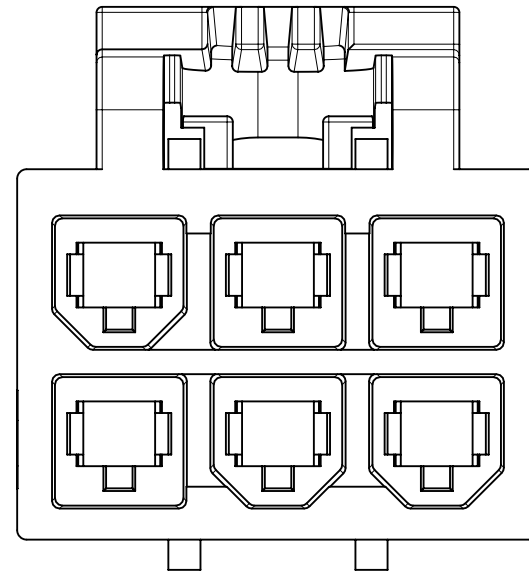
POLARIZATION DETAIL



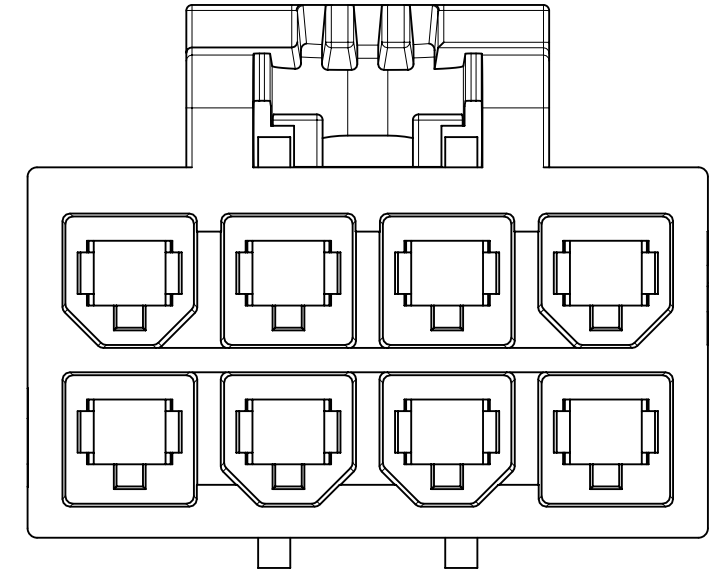
2 CKT



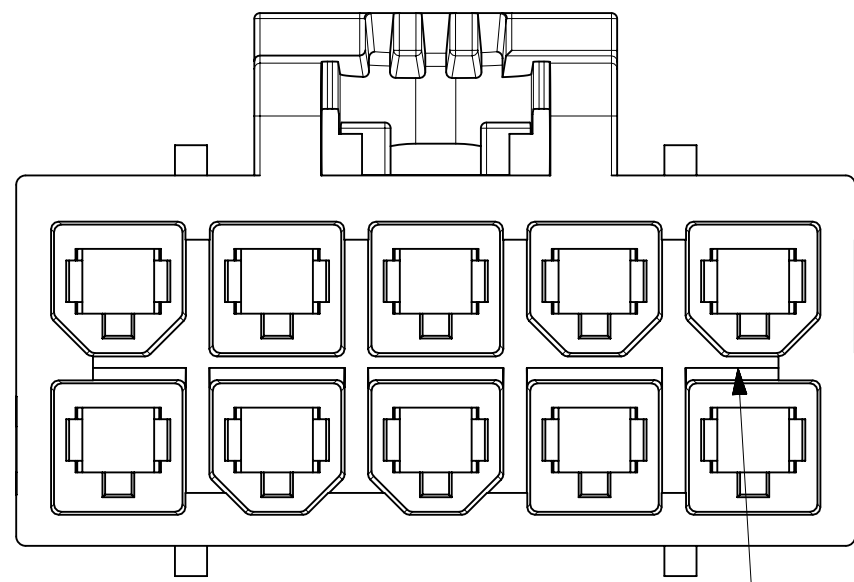
4 CKT



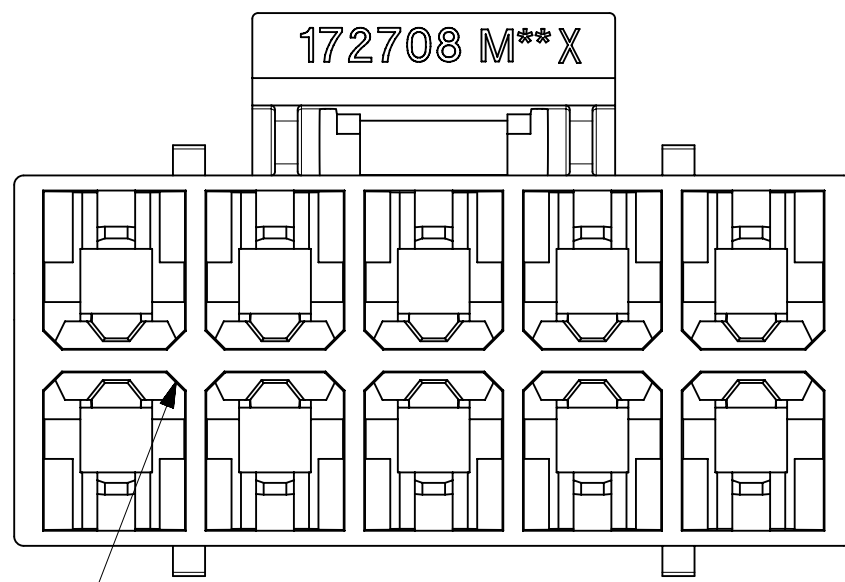
6 CKT



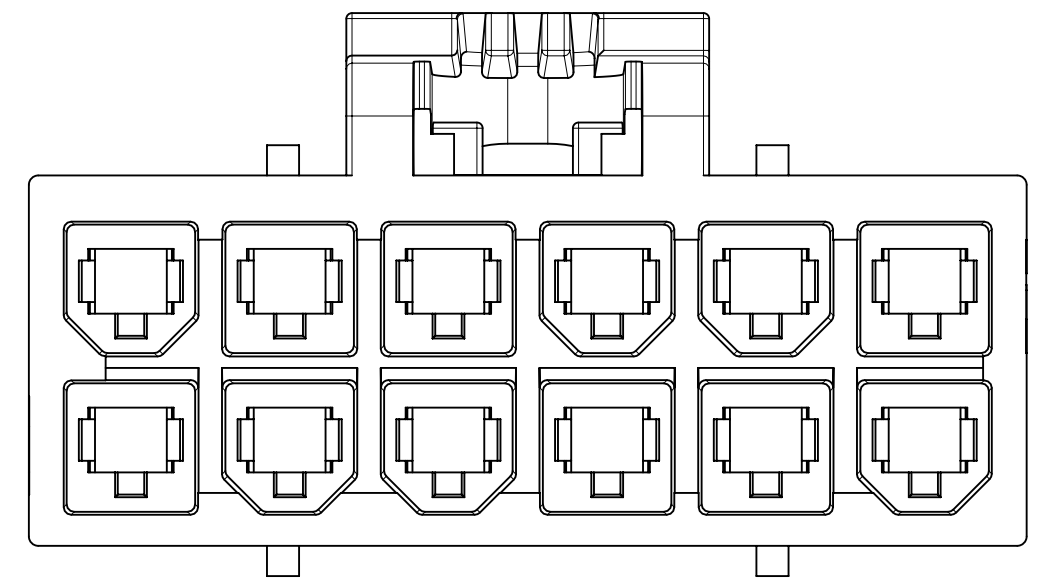
8 CKT



10 CKT



CHAMFER FOR 10-18CKT ONLY

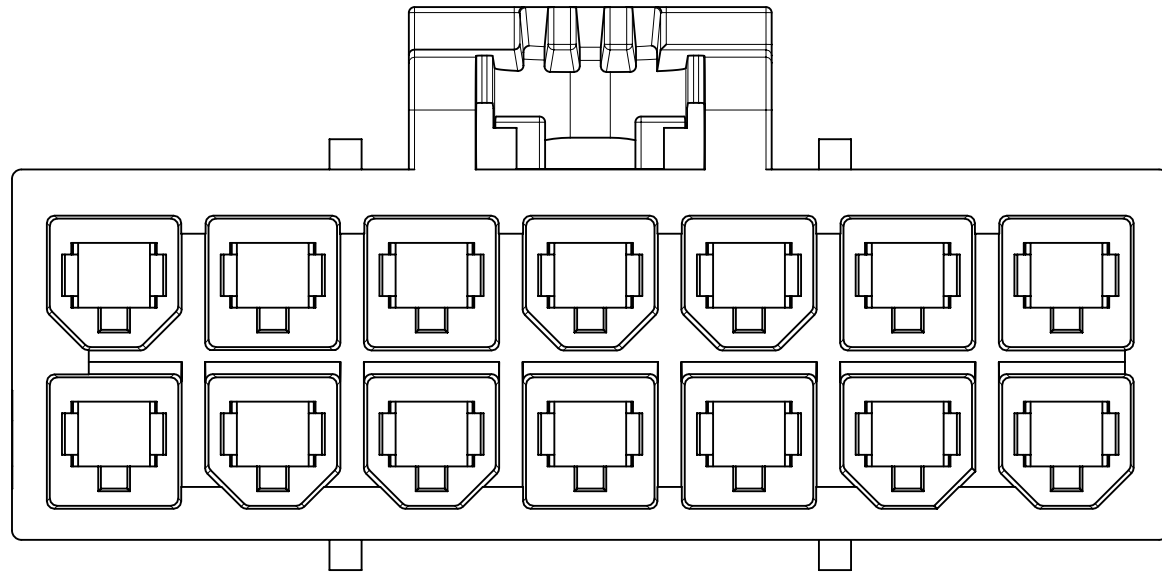


12 CKT

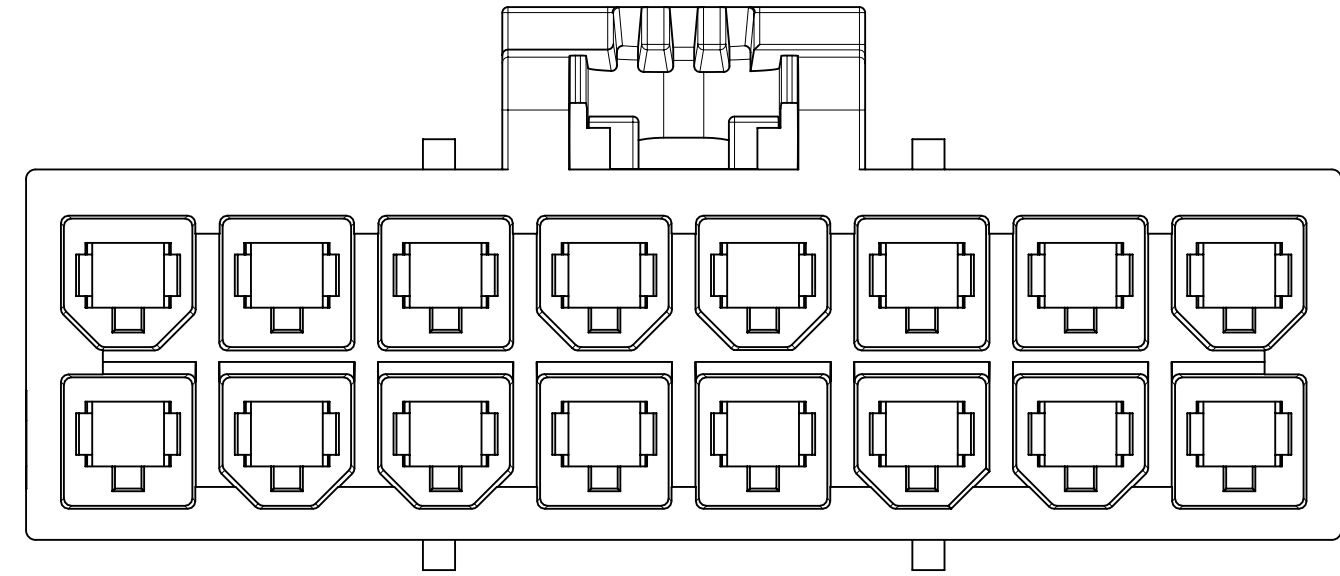
CORE OUT FETURE AT THE BASE OF TOWERS FOR 10-14 CKTS DIFFERS FROM 2-8CKTS

FUNCTIONAL SYMBOLS	THIS DRAWING CONTAINS INFORMATION THAT IS PROPRIETARY TO MOLEX ELECTRONIC TECHNOLOGIES, LLC AND SHOULD NOT BE USED WITHOUT WRITTEN PERMISSION		CURRENT REV DESC:						
	DIMENSION UNITS	SCALE							SD-DRAWING OF MINI-FIT SIGMA REC HOUSING
$\nabla_A = 0$	mm	5:1	EC NO: 658363		PRODUCT CUSTOMER DRAWING				
$\nabla_C = 0$	GENERAL TOLERANCES (UNLESS SPECIFIED)		DRWN: ALU002 2021/03/17		DOCUMENT NUMBER				
$\nabla_P = 0$	ANGULAR TOL \pm °		CHK'D: YXZHENG 2021/03/17		1727080002-SD		DOC TYPE	DOC PART	REVISION
DIVISIONAL SYMBOLS	4 PLACES \pm		APPR: YXZHENG 2021/03/17		PSD		000	C4	
	3 PLACES \pm		INITIAL REVISION:		MATERIAL NUMBER		CUSTOMER		SHEET NUMBER
	2 PLACES \pm 0.25		DRWN: ALU002 2019/06/20		SEE TABLE		GENERAL MARKET		3 OF 4
	1 PLACE \pm		APPR: AYIN 2019/06/24		THIRD ANGLE PROJECTION		DRAWING		SERIES
	0 PLACES \pm		DRAFT WHERE APPLICABLE MUST REMAIN WITHIN DIMENSIONS		C-SIZE		172708		

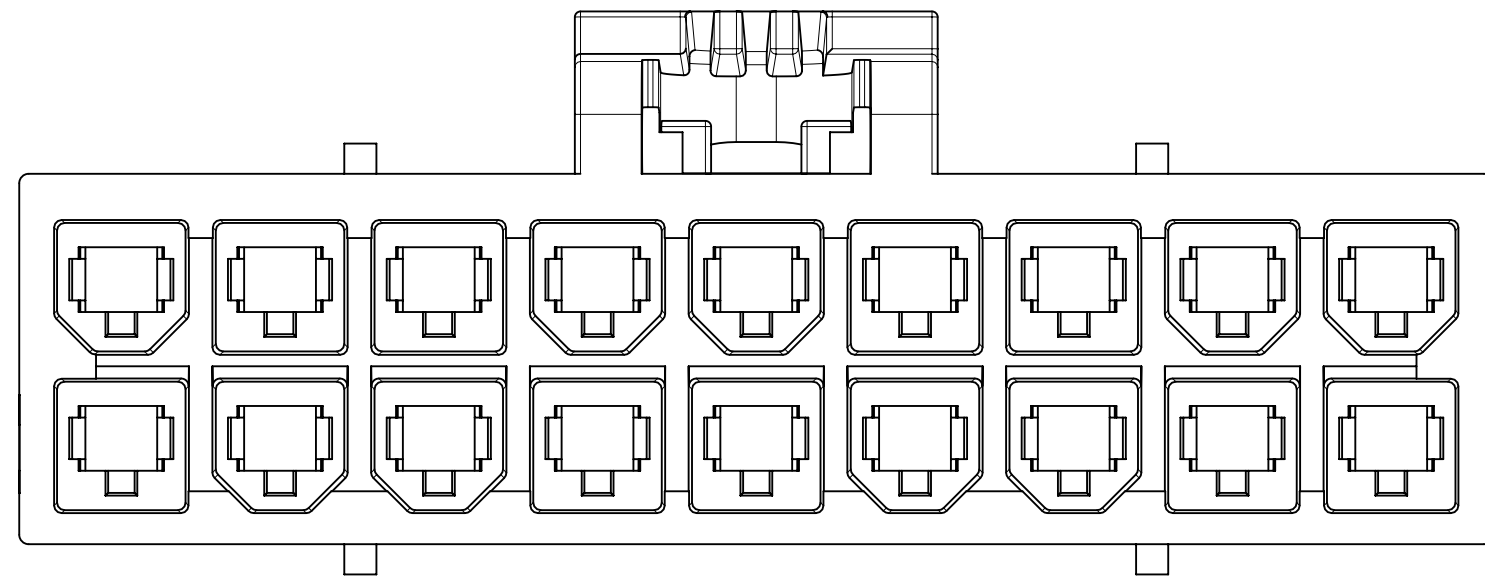
POLARIZATION DETAIL



14 CKT



16 CKT



18 CKT

FUNCTIONAL SYMBOLS	THIS DRAWING CONTAINS INFORMATION THAT IS PROPRIETARY TO MOLEX ELECTRONIC TECHNOLOGIES, LLC AND SHOULD NOT BE USED WITHOUT WRITTEN PERMISSION					
	DIMENSION UNITS	SCALE	CURRENT REV DESC:			
$\nabla_A = 0$	mm	1:1	EC NO: 658363 DRWN: ALU002 2021/03/17 CHK'D: YXZHENG 2021/03/17 APPR: YXZHENG 2021/03/17			
$\nabla_C = 0$	GENERAL TOLERANCES (UNLESS SPECIFIED)					
$\nabla_P = 0$	ANGULAR TOL \pm °					
DIVISIONAL SYMBOLS	4 PLACES	\pm	INITIAL REVISION: DRWN: ALU002 2019/06/20 APPR: AYIN 2019/06/24			
	3 PLACES	\pm				
	2 PLACES	\pm 0.25	DOCUMENT NUMBER	DOC TYPE	DOC PART	REVISION
	1 PLACE	\pm	1727080002-SD	PSD	000	C4
0 PLACES	\pm		MATERIAL NUMBER	CUSTOMER	SHEET NUMBER	
DRAFT WHERE APPLICABLE MUST REMAIN WITHIN DIMENSIONS	THIRD ANGLE PROJECTION	DRAWING	SERIES	SEE TABLE	GENERAL MARKET	4 OF 4

molex

SD-DRAWING OF MINI-FIT SIGMA REC HOUSING

PRODUCT CUSTOMER DRAWING