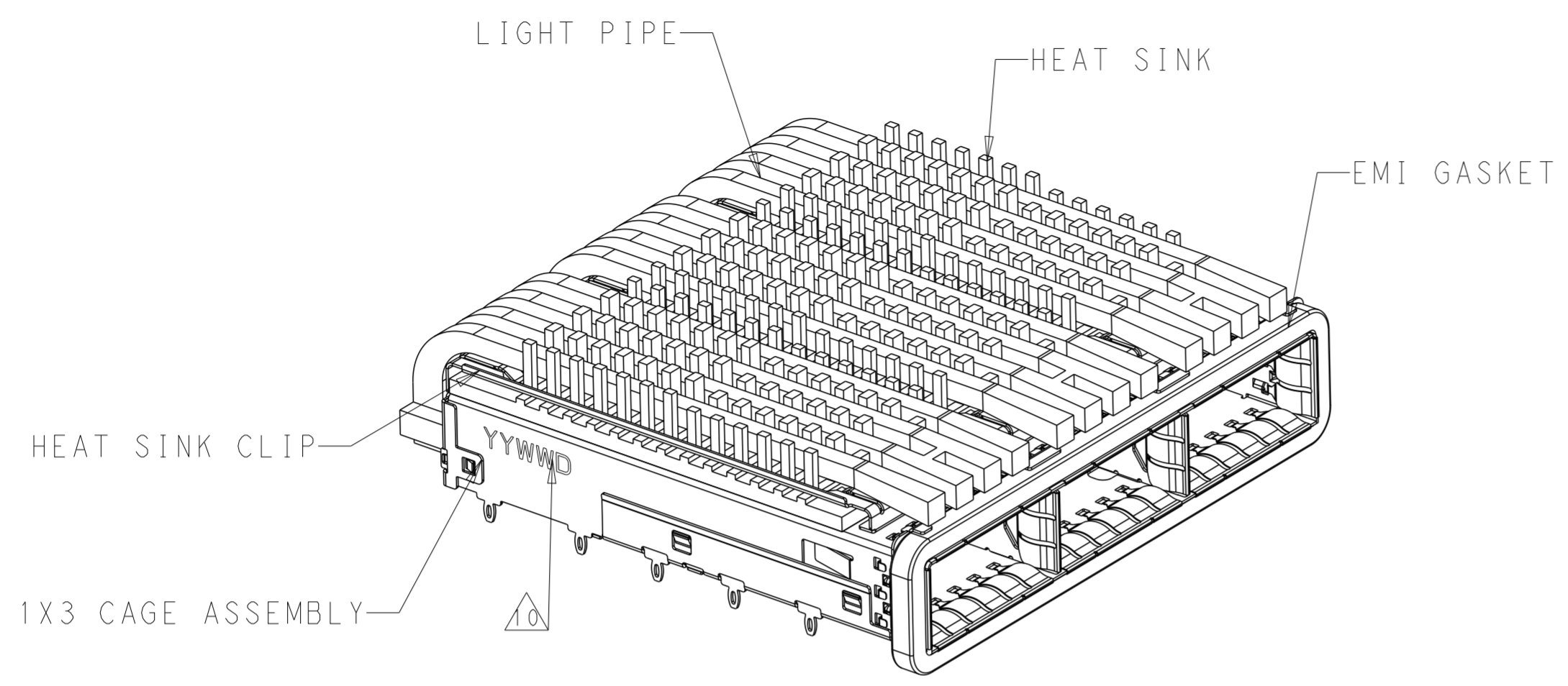
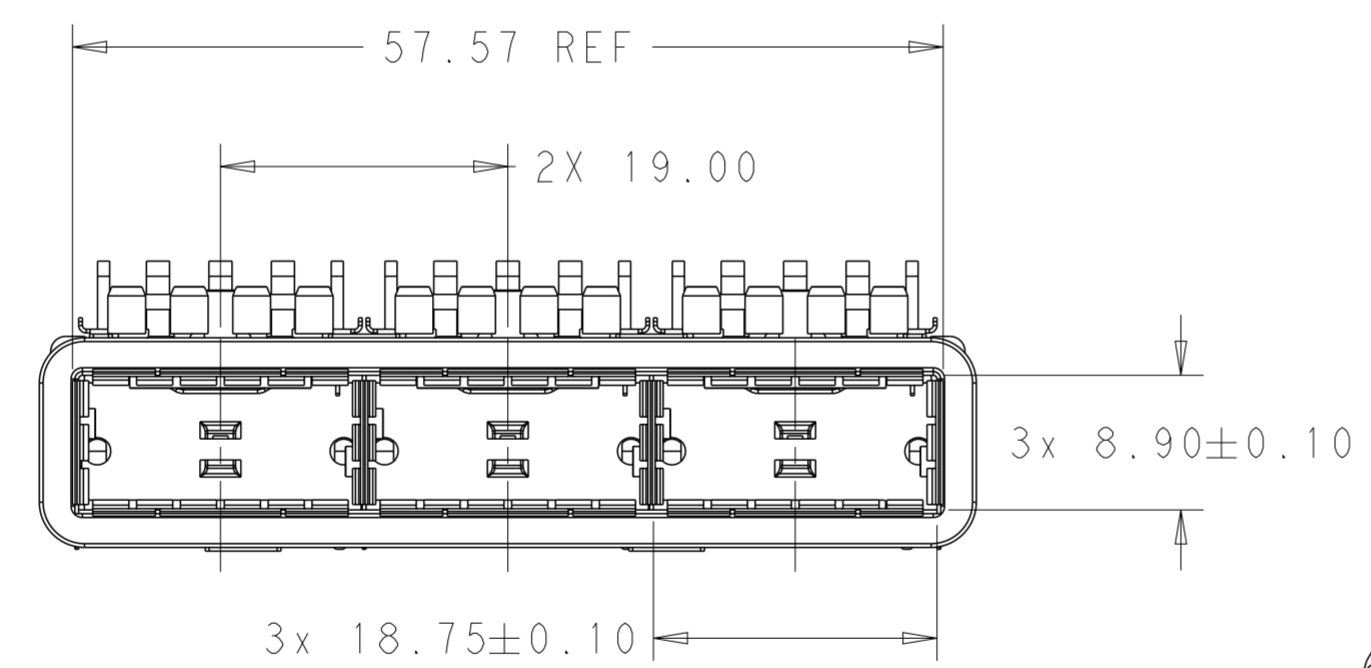


THIS DRAWING IS UNPUBLISHED. RELEASED FOR PUBLICATION 20
 © COPYRIGHT 20 BY - ALL RIGHTS RESERVED.

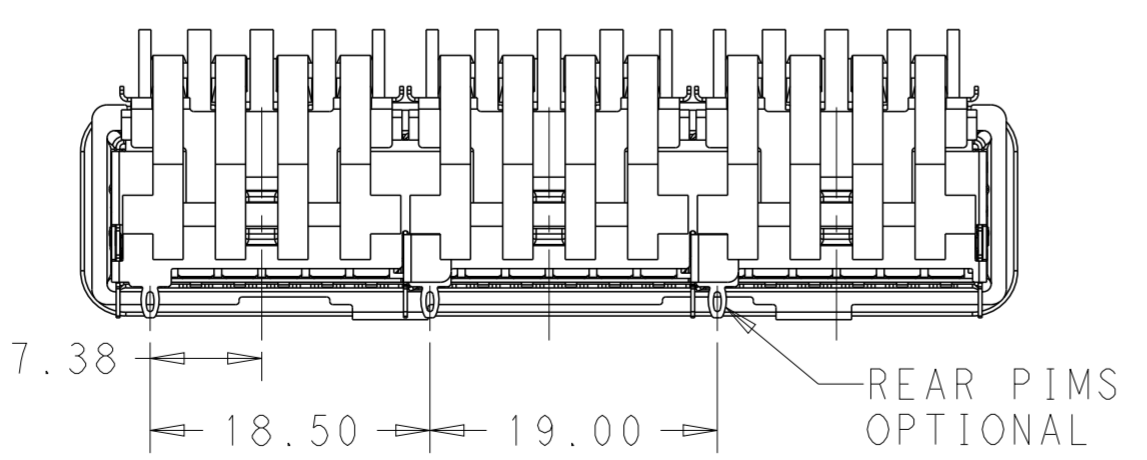
LOC		DIST		REVISIONS			
P	LTR	DESCRIPTION	DATE	DWN	APVD		
GP	00	1		PRELIMINARY	19MAY2014	BL	JY
		2		REVISE	26MAY2014	BL	JY
		3		ADD DIMENSION 9.66	30OCT2015	JY	SH
		4		REVISED PER ECN-22-163746	11JUL2022	IT	SZ



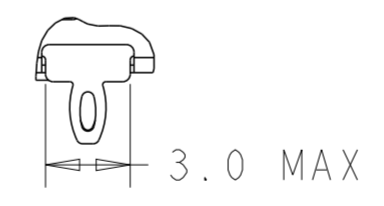
2170774-1 AS SHOWN
SCALE 2:1



SCALE 2:1

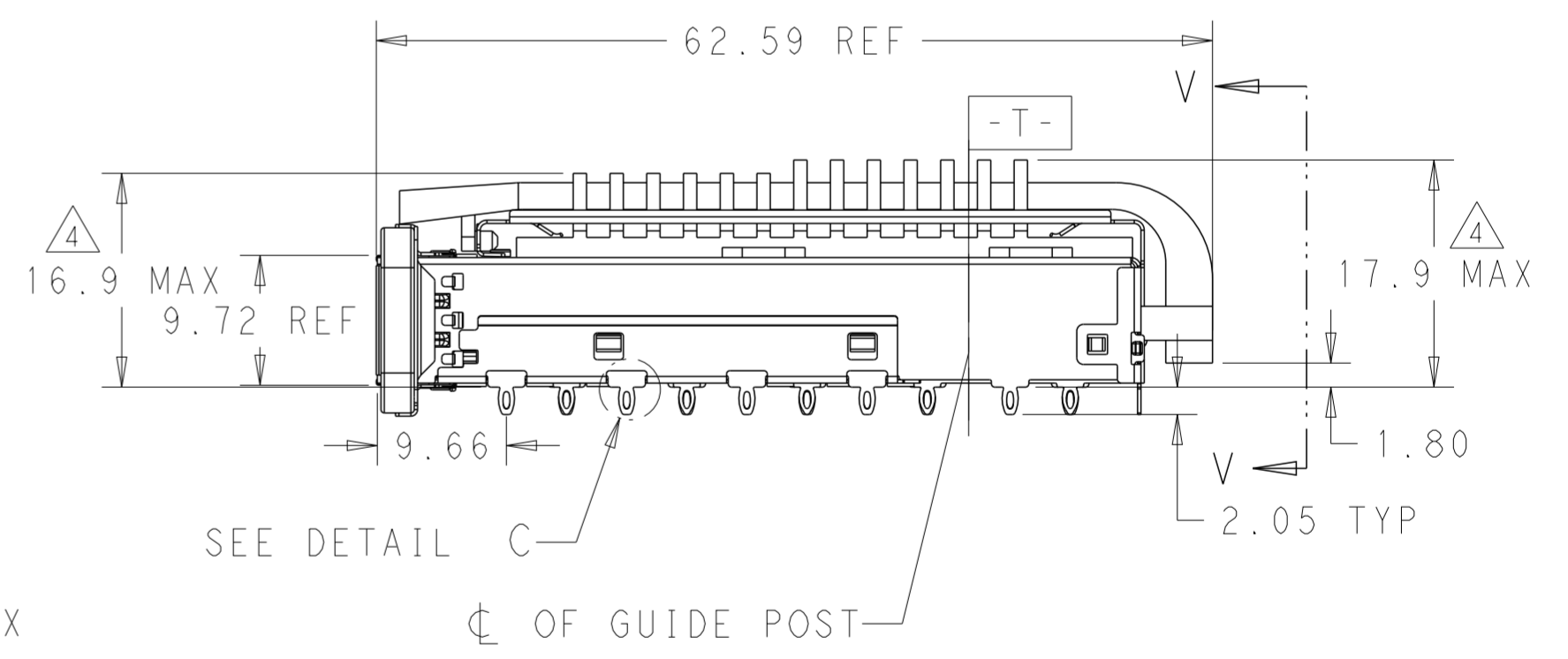


VIEW V-V
SCALE 2:1



DETAIL C
SCALE 4:1

- COMPONENTS
 CAGE ASSEMBLY: NICKEL-SILVER ALLOY
 HEAT SINK: ALUMINUM/BLACK ANODIZE
 HEAT SINK CLIP: STAINLESS STEEL
 EMI SPRING: COPPER ALLOY/NICKEL PLATE
 LIGHT PIPE: CLEAR POLYCARBONATE
 EMI GASKET: CONDUCTIVE RUBBER
- REFERENCE APPLICATION SPECIFICATION 114-*****
 FOR RECOMMENDED DRILL HOLE DIAMETER AND
 PLATING THICKNESS
- DATUM AND BASIC DIMENSION ESTABLISHED BY CUSTOMER
- DIMENSION APPLIES WITH MODULE INSERTED IN CAGE
- HEAT SINKS, HEAT SINK CLIPS AND LIGHT PIPES
 ARE SHIPPED ASSEMBLED ON CAGE
- MINIMUM PC BOARD THICKNESS:
 SINGLE SIDED: 1.57 MIN
 DOUBLE SIDED: 3.00 MIN
- DATUM **-A-** IS TOP SURFACE OF THE HOST BOARD.
- THESE HOLES ARE OPTIONAL WHEN THE REAR PINS ARE REMOVED.
- MATES WITH QSFP28 MSA COMPATIBLE TRANSCEIVER.
- DATE CODE (YYWWD) MARKED APPROXIMATELY AS SHOWN.

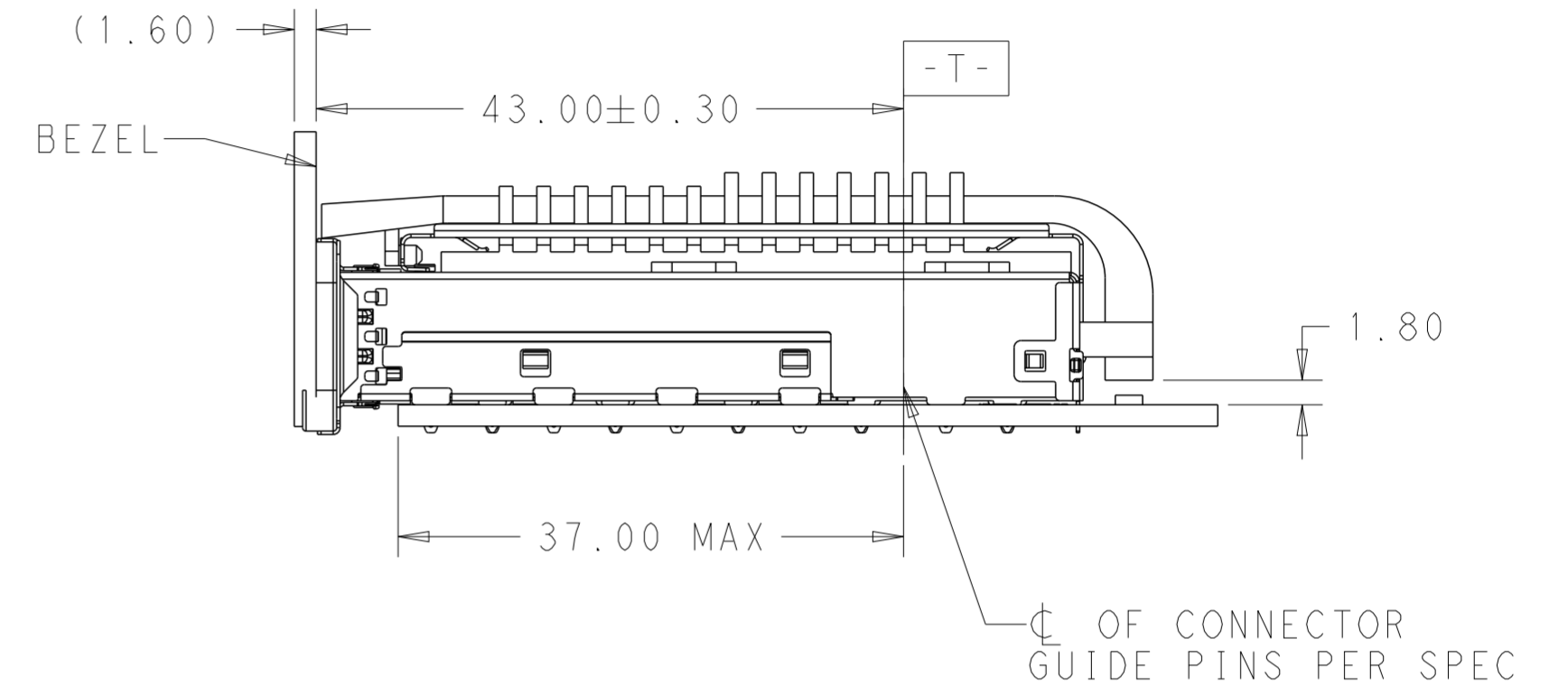
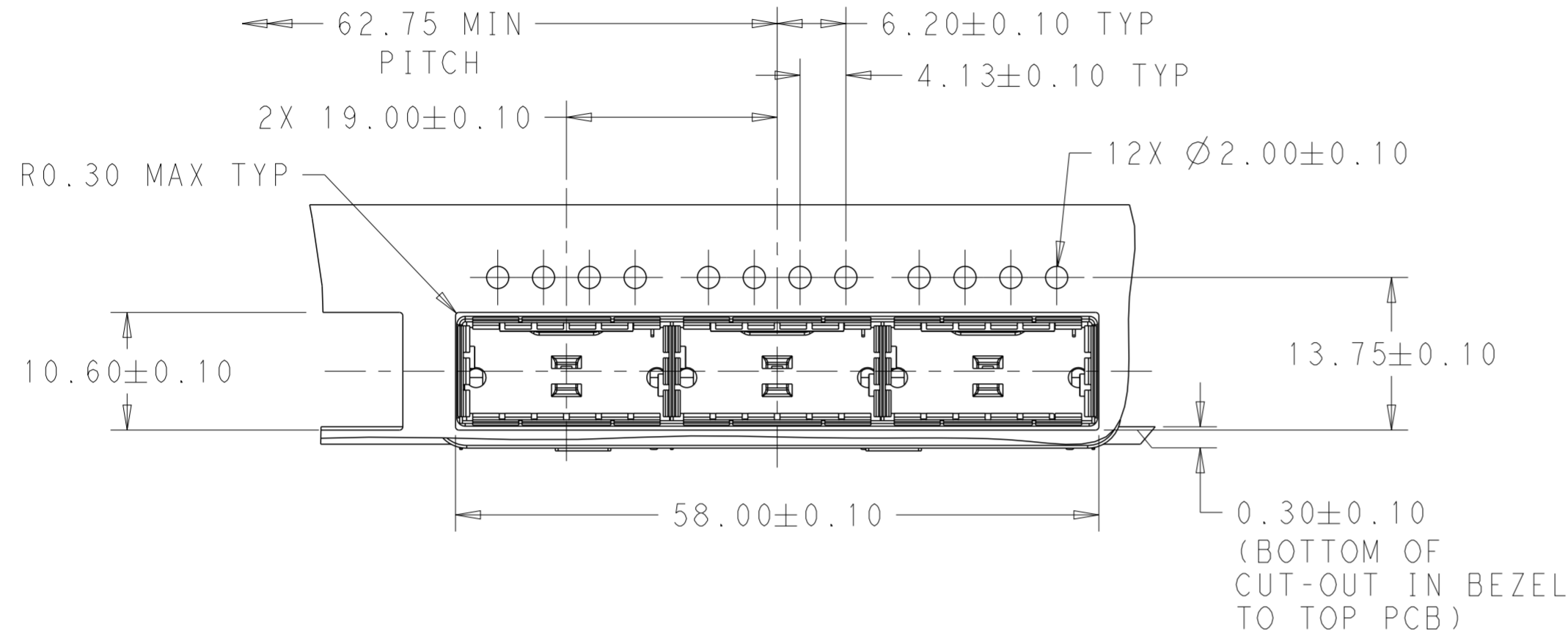


2170774-1
PART NUMBER

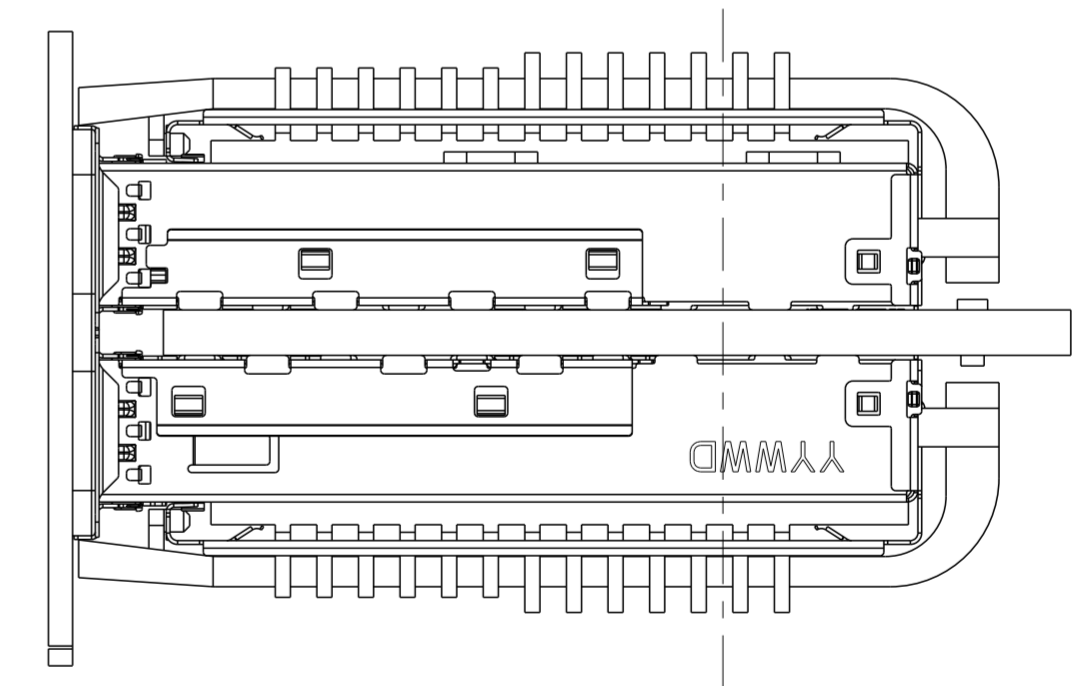
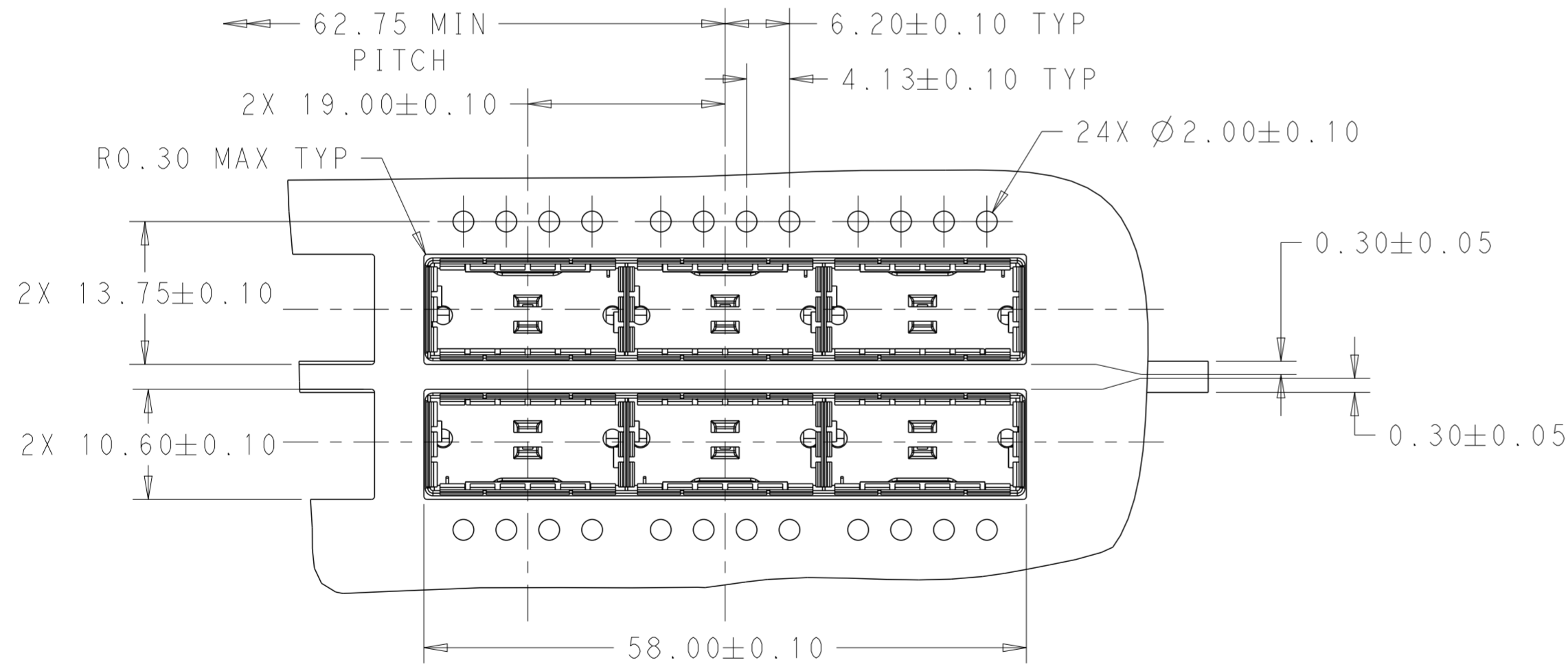
THIS DRAWING IS A CONTROLLED DOCUMENT.		DWN BING LIU 19MAY2014	TE Connectivity	
		CHK JASON YANG 19MAY2014		
DIMENSIONS:	TOLERANCES UNLESS OTHERWISE SPECIFIED:	APVD -	NAME RECEPTACLE CAGE ASSEMBLY 1x3 WITH HEAT SINKS AND LIGHT PIPES, THRU BEZEL, 1X3, QSFP28	
mm	0 PLC ± 1 PLC ±0.25 2 PLC ±0.2 3 PLC ± 4 PLC ±	PRODUCT SPEC -	SIZE A2	CAGE CODE 00779
MATERIAL	ANGLES ± FINISH	APPLICATION SPEC -	DRAWING NO C-2170774	RESTRICTED TO -
SEE NOTES	SEE NOTES	WEIGHT -	SCALE 1:1	SHEET 1 OF 5
		CUSTOMER DRAWING		REV 4

THIS DRAWING IS UNPUBLISHED. RELEASED FOR PUBLICATION 20
 © COPYRIGHT 20 BY - ALL RIGHTS RESERVED.

LOC	DIST	REVISIONS					
GP	00	P	LTR	DESCRIPTION	DATE	DWN	APVD
		-		SEE SHEET 1			



SINGLE SIDE MOUNTING
SCALE 2:1



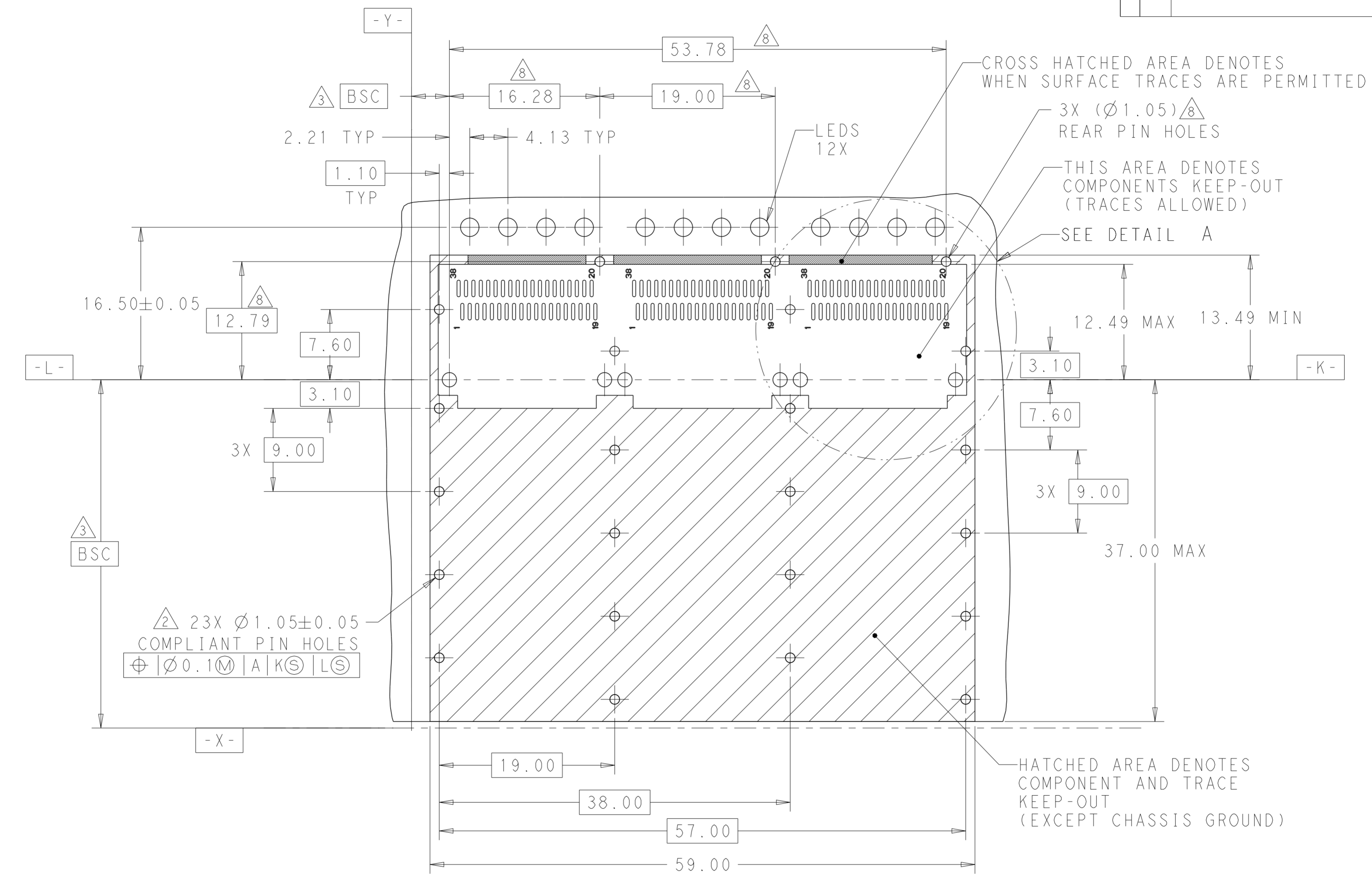
BELLY TO BELLY MOUNTING
SCALE 2:1

PRELIMINARY PART- NOT RELEASED FOR PRODUCTION

THIS DRAWING IS A CONTROLLED DOCUMENT.		DWN BING LIU 19MAY2014	TE Connectivity	
		CHK JASON YANG 19MAY2014		
DIMENSIONS: mm	TOLERANCES UNLESS OTHERWISE SPECIFIED:	APVD -	NAME RECEPTACLE CAGE ASSEMBLY 1x3 WITH HEAT SINKS AND LIGHT PIPES, THRU BEZEL, 1X3, QSFP28	
	0 PLC ± 1 PLC ±0.25 2 PLC ±0.2 3 PLC ± 4 PLC ±	PRODUCT SPEC -	SIZE A200779	
MATERIAL	ANGLES ± FINISH	APPLICATION SPEC -	CAGE CODE C-2170774	DRAWING NO C-2170774
SEE NOTES	SEE NOTES	WEIGHT -	RESTRICTED TO -	
		CUSTOMER DRAWING	SCALE 1:1	SHEET 2 OF 5 REV 4

THIS DRAWING IS UNPUBLISHED. RELEASED FOR PUBLICATION 20
 © COPYRIGHT 20 BY - ALL RIGHTS RESERVED.

LOC	DIST	REVISIONS					
GP	00	P	LTR	DESCRIPTION	DATE	DWN	APVD
		-		SEE SHEET 1	-	-	-

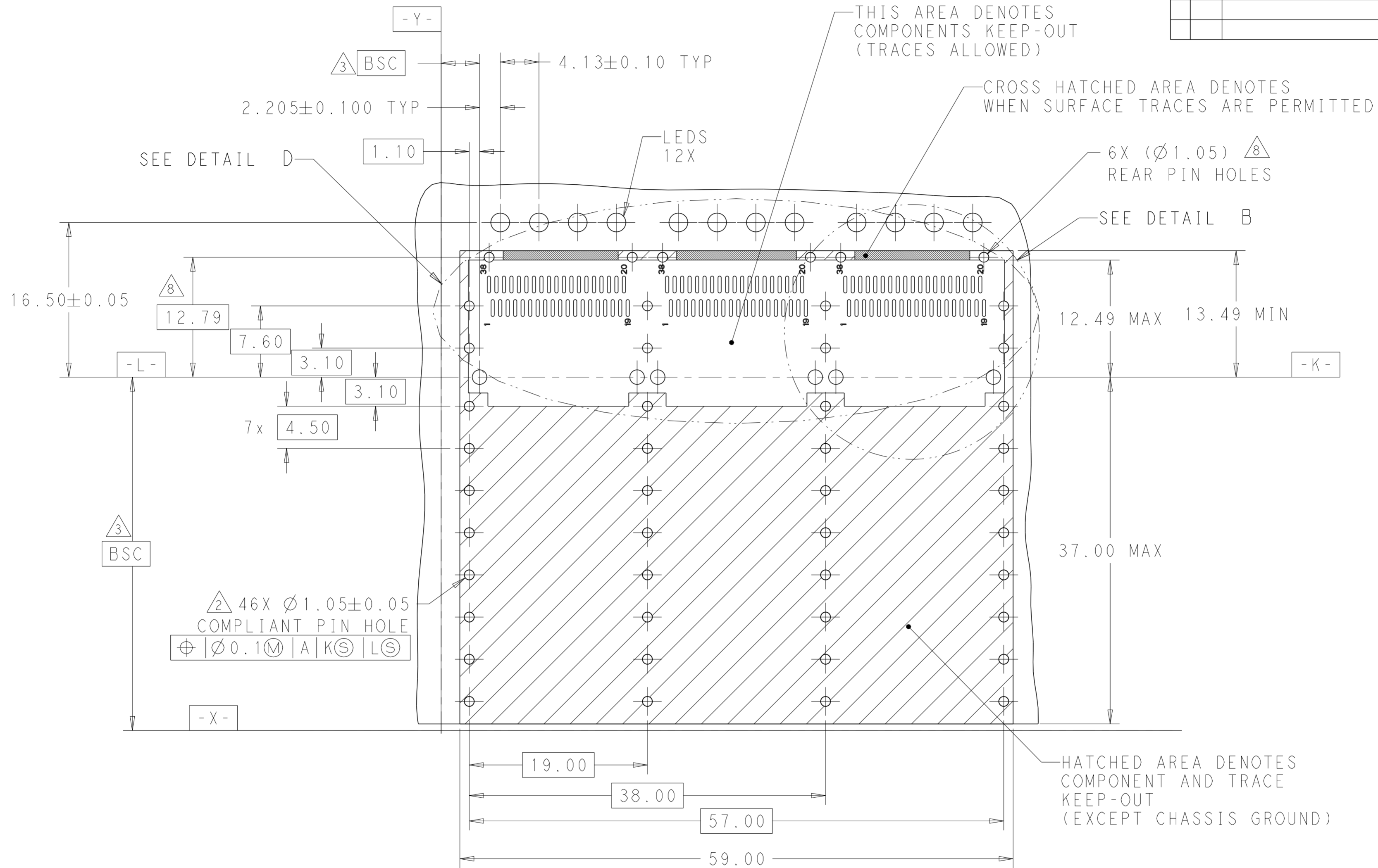


RECOMMENDED PCB LAYOUT
 SINGLE TYPE
 PCB TOLERANCE: ±0.05
 SCALE 3:1

THIS DRAWING IS A CONTROLLED DOCUMENT.		DWN BING LIU 19MAY2014	TE Connectivity	
		CHK JASON YANG 19MAY2014		
DIMENSIONS: mm		APVD -	NAME RECEPTACLE CAGE ASSEMBLY 1x3 WITH HEAT SINKS AND LIGHT PIPES, THRU BEZEL, 1X3, QSFP28	
TOLERANCES UNLESS OTHERWISE SPECIFIED: 0 PLC ± 1 PLC ±0.25 2 PLC ±0.2 3 PLC ± 4 PLC ± ANGLES ± FINISH ±		PRODUCT SPEC -	SIZE A200779	
MATERIAL SEE NOTES		APPLICATION SPEC -	DRAWING NO C-2170774	
		WEIGHT -	RESTRICTED TO -	
		CUSTOMER DRAWING	SCALE 1:1	SHEET 3 OF 5 REV 4

THIS DRAWING IS UNPUBLISHED. RELEASED FOR PUBLICATION 20
 © COPYRIGHT 20 BY - ALL RIGHTS RESERVED.

LOC	DIST	REVISIONS					
GP	00	P	LTR	DESCRIPTION	DATE	DWN	APVD
		-		SEE SHEET 1			



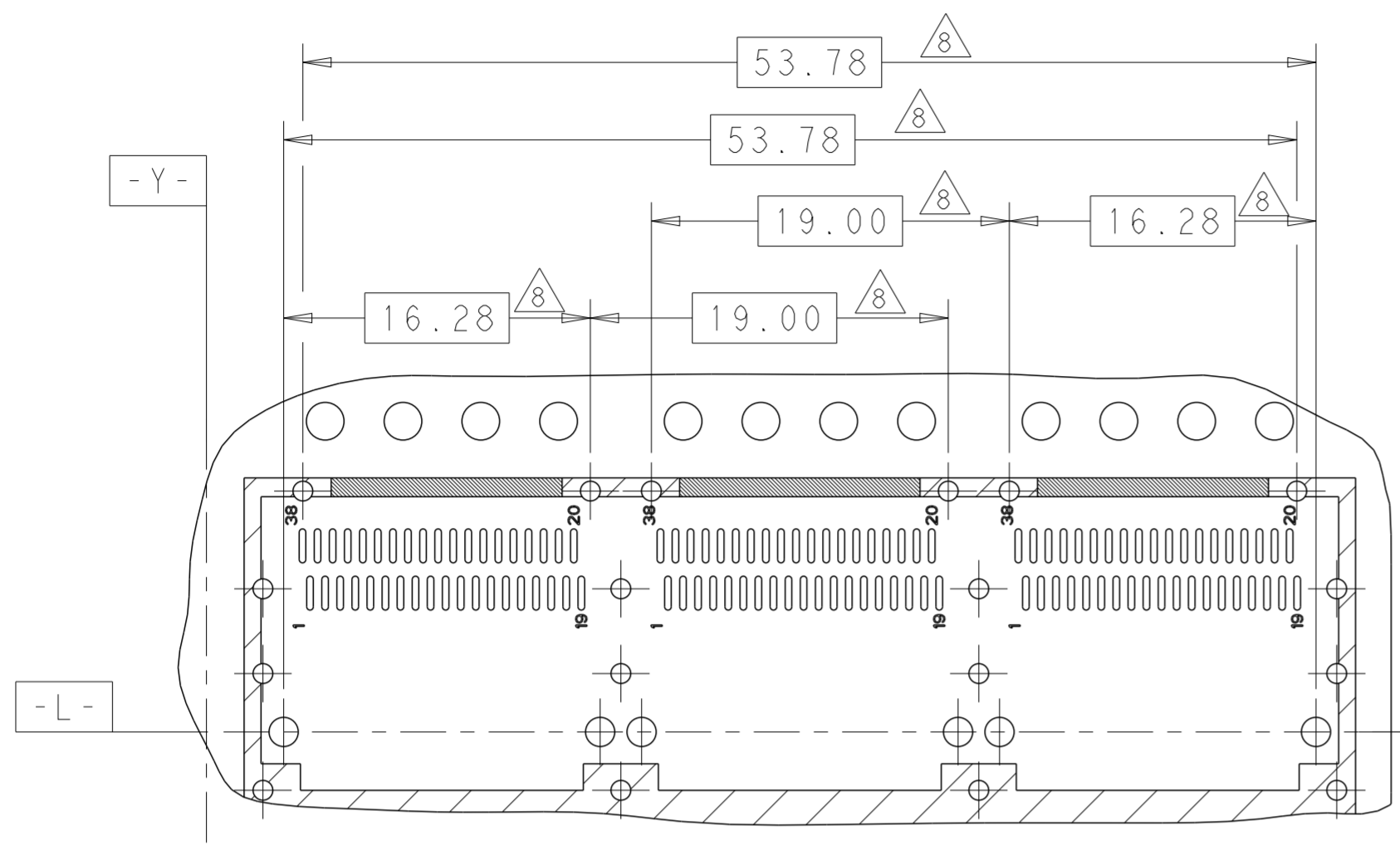
RECOMMENDED PCB LAYOUT
 BELLY TO BELLY TYPE
 PCB TOLERANCE: ±0.05
 SCALE 3:1

PRELIMINARY PART- NOT RELEASED FOR PRODUCTION

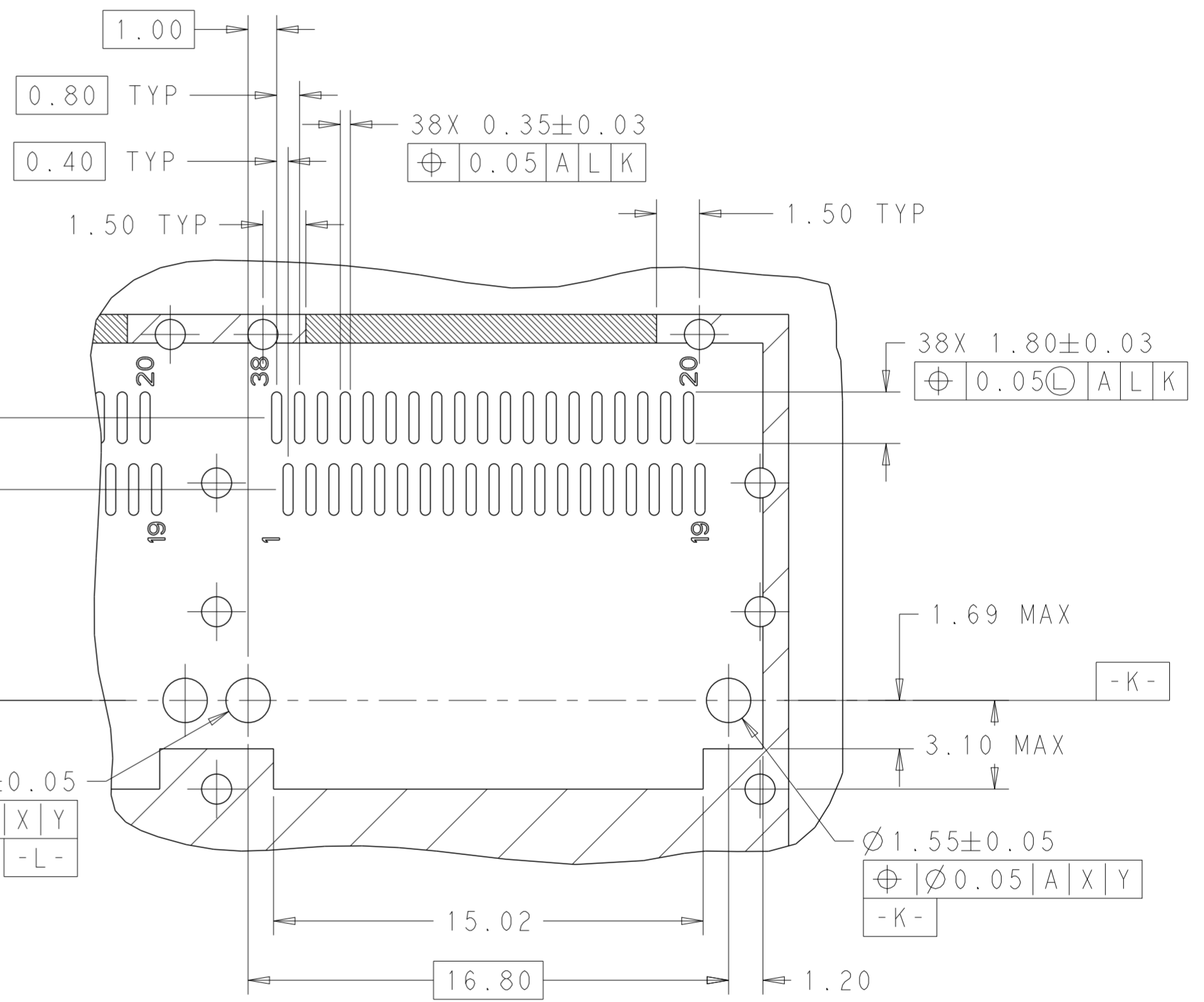
THIS DRAWING IS A CONTROLLED DOCUMENT.		DWN BING LIU 19MAY2014	TE Connectivity	
DIMENSIONS: mm		CHK JASON YANG 19MAY2014		
TOLERANCES UNLESS OTHERWISE SPECIFIED:		APVD	NAME RECEPTACLE CAGE ASSEMBLY 1x3 WITH HEAT SINKS AND LIGHT PIPES, THRU BEZEL, 1X3, QSFP28	
0 PLC ±		PRODUCT SPEC	SIZE A200779	
1 PLC ±0.25		APPLICATION SPEC	CAGE CODE C-2170774	
2 PLC ±0.2		WEIGHT	DRAWING NO C-2170774	
3 PLC ±		CUSTOMER DRAWING	RESTRICTED TO	
4 PLC ±		SCALE 1:1	SHEET 4 OF 5	
ANGLES ±			REV 4	
FINISH				
SEE NOTES				

THIS DRAWING IS UNPUBLISHED. RELEASED FOR PUBLICATION 20
 © COPYRIGHT 20 BY - ALL RIGHTS RESERVED.

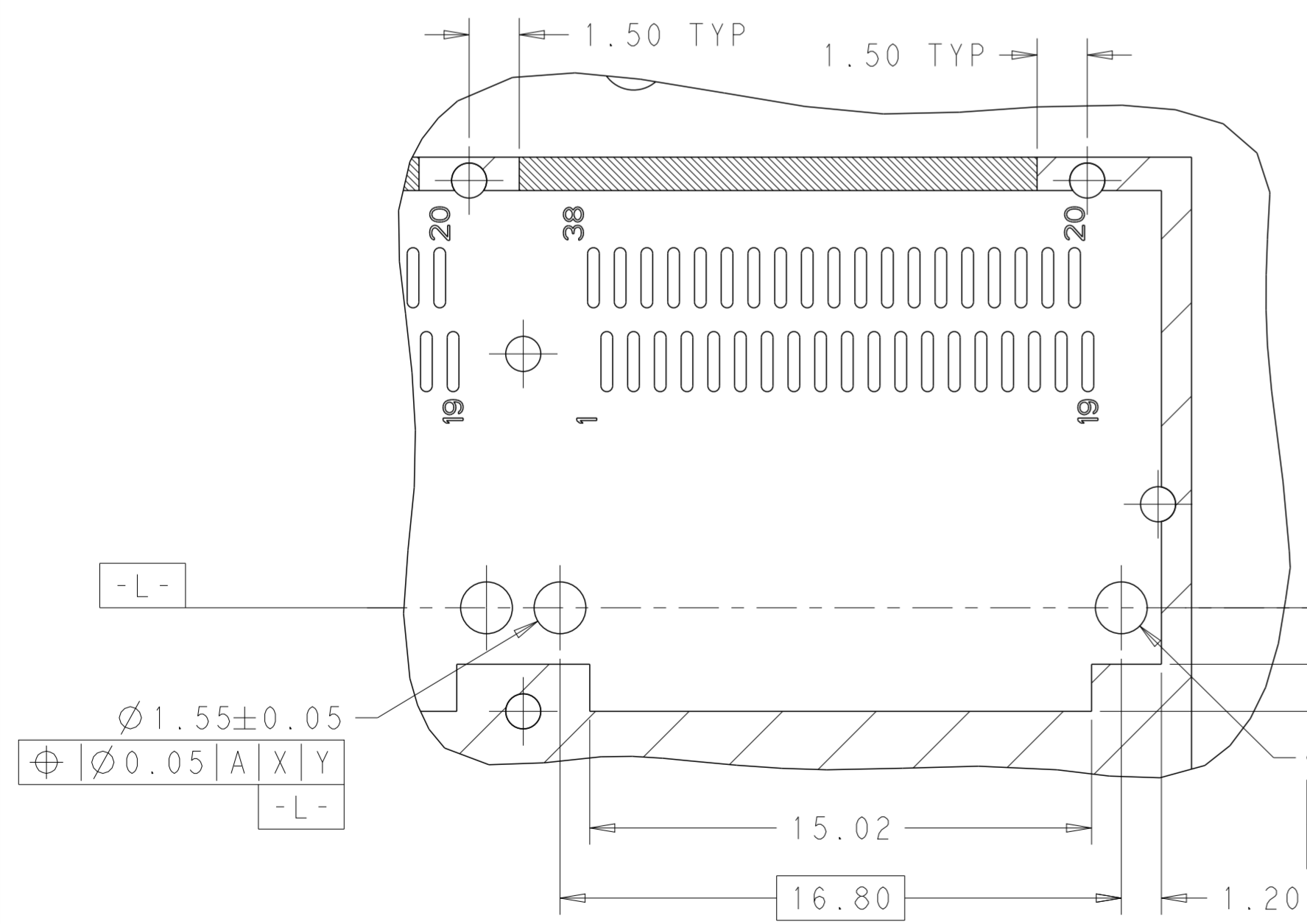
LOC	DIST	REVISIONS					
GP	00	P	LTR	DESCRIPTION	DATE	DWN	APVD
		-		SEE SHEET 1			



DETAIL D
SCALE 3:1



DETAIL B
SCALE 6:1



DETAIL A
SCALE 6:1

THIS DRAWING IS A CONTROLLED DOCUMENT.		DWN BING LIU 19MAY2014	STE TE Connectivity	
		CHK JASON YANG 19MAY2014		
DIMENSIONS: mm		APVD -	NAME RECEPTACLE CAGE ASSEMBLY 1x3 WITH HEAT SINKS AND LIGHT PIPES, THRU BEZEL, 1X3, QSFP28	
TOLERANCES UNLESS OTHERWISE SPECIFIED: 0 PLC ± 1 PLC ±0.25 2 PLC ±0.2 3 PLC ± 4 PLC ± ANGLES ± FINISH		PRODUCT SPEC -	SIZE A200779	DRAWING NO C-2170774
MATERIAL SEE NOTES		APPLICATION SPEC -	RESTRICTED TO -	SCALE 1:1
		WEIGHT -	SHEET 5 OF 5	REV 4
		CUSTOMER DRAWING		

PRELIMINARY PART- NOT RELEASED FOR PRODUCTION