



LAYOUT SHOWN AS EXAMPLE

Keying Shown as example

CHARACTERISTICS

- Standard : Based on MIL-DTL-38999 Series III
- Shell Material : Stainless Steel
- Shell Plating : Nickel
- Insulator : Thermoplastic
- Contacts : Copper Alloy
- Seals & Grommet : Silicon Elastomer
- Contact Plating : Gold over copper Alloy 0.8µm minimum
- Durability : 500 Mating cycles
- Delivered with Souriau contacts and Accessories
- Temperature Range : -65°C to +200°C
- Salt Spray : 500 hours
- Mass : 132.88 g ± 10%

Connector dimension	
Dim	Nominal
P	3.91±0.2
PP	6.15±0.2
R1	38.1
R2	34.93
S	46±0.3
V	20.07+0/-1.25
W	2.1/3.2
Z	31.5 Max
VV THREAD	M37x1-6g

SOURIAU shall not be liable for any non-conformity or damage due to a use of the Products which does not comply with the Specifications issued by either of the Parties or by a third party (professional recommendation, technical notice.)

Country	Jurisdiction & Control List
FR	Not Listed

PN: 8D025S43SB

A	17-10-2016	First Release	
ISS	DATE	Latest modification - by	MOD N°
Designed By:		Date:	CUSTOMER DRAWING
TITLE	Stainless Steel Receptacle 8D series		
SCALE	NA	General linear Tolerances: ±--	NPRDS / PROJECT 859
SOURIAU	WWW.SOURIAU.COM		This document is the property of SOURIAU it must not be reproduced or communicated without permission
FORMAT	A3		SOURIAU DRG N° 8D025S43SB-C
			SHEET 1/2

BASIC SERIES:	8D	0	-	25	S	43	S	B	ORIENTATION : B
SHELL TYPE :	Square Flange Receptacle								CONTACT TYPE : SOCKET(500 Matings)
CONTACT TYPE :	Standard Crimp Contact								CONTACT LAYOUT : 25-43
SHELL SIZE :	25								
PLATING :	S = Nickel								

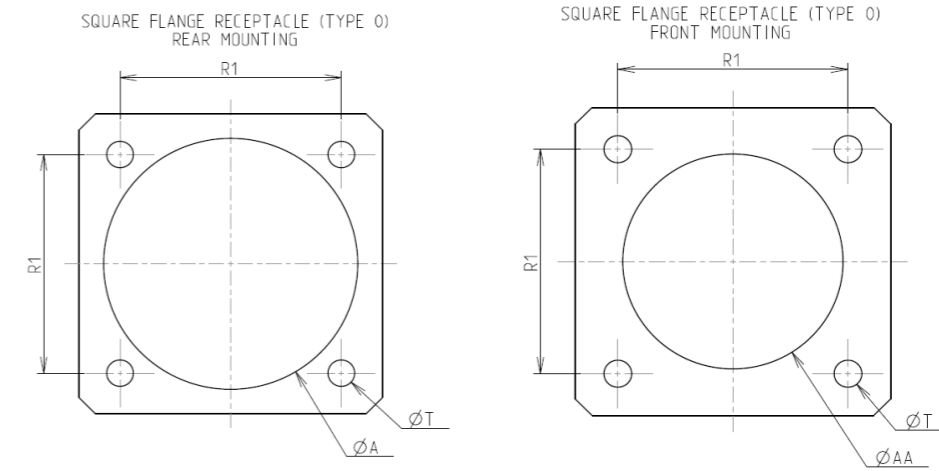
Contact Layout



Contacts (Insert arrangement 25-43)					
Contact position ID	Location		Contact position ID	Location	
	X-axis (mm)	Y-axis (mm)		X-axis (mm)	Y-axis (mm)
A	+069 (1.75)	+531 (13.49)	Z	-069 (1.75)	+531 (13.49)
B	+203 (5.16)	+495 (12.57)	a	+172 (4.37)	+344 (8.74)
C	+324 (8.23)	+425 (10.80)	b	+258 (6.55)	+172 (4.37)
D	+424 (10.77)	+326 (8.28)	c	+344 (8.74)	+000 (0.00)
E	+493 (12.52)	+205 (5.21)	d	+344 (8.74)	-172 (4.37)
F	+531 (13.49)	+069 (1.75)	e	+172 (4.37)	-344 (8.74)
G	+531 (13.49)	-069 (1.75)	f	+000 (0.00)	-344 (8.74)
H	+493 (12.52)	-205 (5.21)	g	-172 (4.37)	-344 (8.74)
J	+424 (10.77)	-326 (8.28)	h	-344 (8.74)	-172 (4.37)
K	+324 (8.23)	-425 (10.80)	k	-344 (8.74)	+000 (0.00)
L	+203 (5.16)	-495 (12.57)	m	-258 (6.55)	+172 (4.37)
M	+000 (0.00)	-531 (13.49)	n	-172 (4.37)	+344 (8.74)
N	-203 (5.16)	-495 (12.57)	p	+000 (0.00)	+344 (8.74)
P	-324 (8.23)	-425 (10.80)	q	+086 (2.18)	+172 (4.37)
R	-424 (10.77)	-326 (8.28)	r	+172 (4.37)	+000 (0.00)
S	-493 (12.52)	-205 (5.21)	s	+172 (4.37)	-172 (4.37)
T	-531 (13.49)	-069 (1.75)	t	+000 (0.00)	-172 (4.37)
U	-531 (13.49)	+069 (1.75)	u	-172 (4.37)	-172 (4.37)
V	-493 (12.52)	+205 (5.21)	v	-172 (4.37)	+000 (0.00)
W	-424 (10.77)	+326 (8.28)	w	-086 (2.18)	+172 (4.37)
X	-324 (8.23)	+425 (10.80)	x	+000 (0.00)	+000 (0.00)
Y	-203 (5.16)	+495 (12.57)			

Shell size	Arrangement no.	Number of contacts	Size contacts	Service rating	Contact location	Supersedes
25	-43	20	16	I	a.b.c.d.e.f.g.h.k.m. n.p.q.r.s.t.u.v.w.x	MS20057-43
		23	20		All others	

Panel Cutout



Dim	Nominal
ØA	42.47 min
ØAA	37.69 min
R1	38.1
ØT	3.81 ±0.13

SOURIAU shall not be liable for any non-conformity or damage due to a use of the Products which does not comply with the Specifications issued by either of the Parties or by a third party (professional recommendation, technical notice.)

Country	Jurisdiction & Control List
FR	Not Listed

PN: 8D025S43SB

A	17-10-2016	First Release	
ISS	DATE	Latest modification - by	MOD N°
Designed By:		Date:	CUSTOMER DRAWING
TITLE	Stainless Steel Receptacle 8D series		
SCALE		General linear Tolerances:	NPRDS / PROJECT
NA		±--	859
SOURIAU	WWW.SOURIAU.COM		This document is the property of SOURIAU it must not be reproduced or communicated without permission
FORMAT	SOURIAU DRG N° 8D025S43SB-C		SHEET 2/2