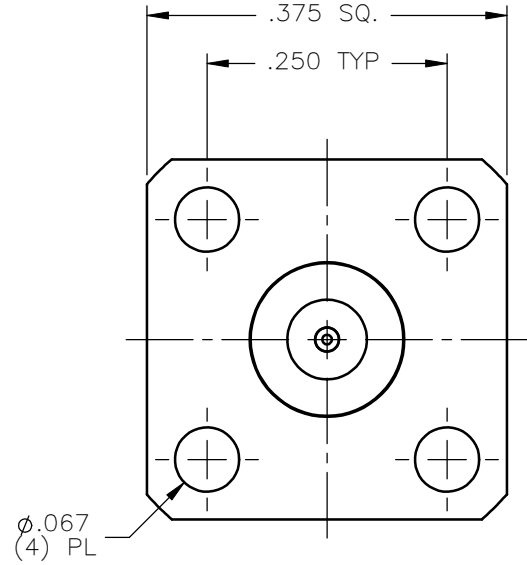
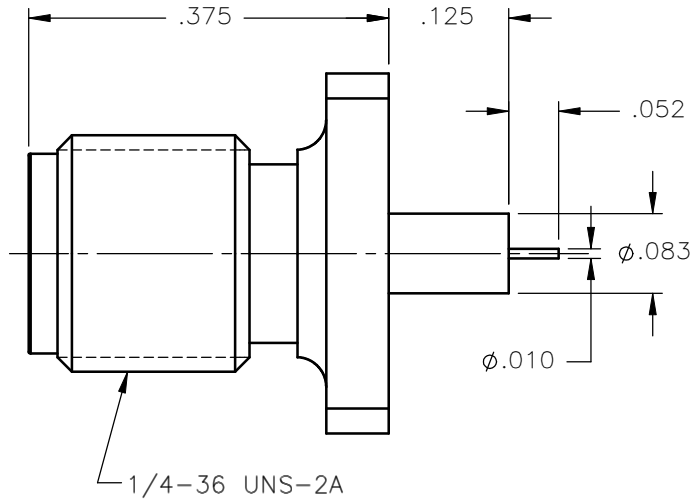


REVISIONS			
REV.	DESCRIPTION	DATE	APPROVED
A	INITIAL RELEASE	01/24/11	A.D.M.




NOTES:

MATERIALS:

1. BODY = STAINLESS STEEL PER ASTM A582, ALLOY 303, CONDITION "A".
2. INSULATOR = VIRGIN WHITE TEFLON PER ASTM D1710, GRADE 1, TYPE I, CLASS "B".
3. CONTACT = BERYLLIUM COPPER PER ASTM B196, ALLOY C17300, TEMPER TD04.

FINISHES:

1. BODY = PASSIVATE PER QQ-P-35, TYPE VI.
2. CONTACT = GOLD PLATE PER MIL-G-45204, TYPE II, CLASS 1, GRADE C, OVER .00010 TO .00020 STRESS FREE SULFAMATE NICKEL PER QQ-N-290.

UNLESS OTHERWISE SPECIFIED DIMENSIONS ARE IN INCHES TOLERANCES ON		DWN: A.D.M.	DATE: 01/24/11	 <p>Property of Radiall This document cannot be reproduced or communicated to a third party without prior written permission of RADIALL.</p>
DECIMAL	ANGLE	CHKD: D.N.	DATE: 01/24/11	
		APVD: J.M.	DATE: 01/24/11	
REFERENCE:		MATERIALS & FINISHES:		<p>SMA STRAIGHT JACK 3/8 SQUARE FLANGE MICROSTRIP RECEPTACLE</p>
ORIGINATED: A.D.M. DATE: 01/24/11		SEE NOTES		
		SIZE: A	FSCM NO.: 19505	DWG NO.: 9376-9113-001
		SCALE: 5:1	THIRD ANGLE PROJECTION	
				REV: A
				SHEET 1 OF 1

9376-9113-001