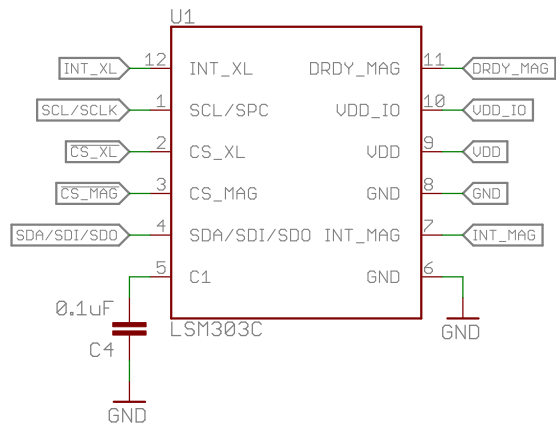
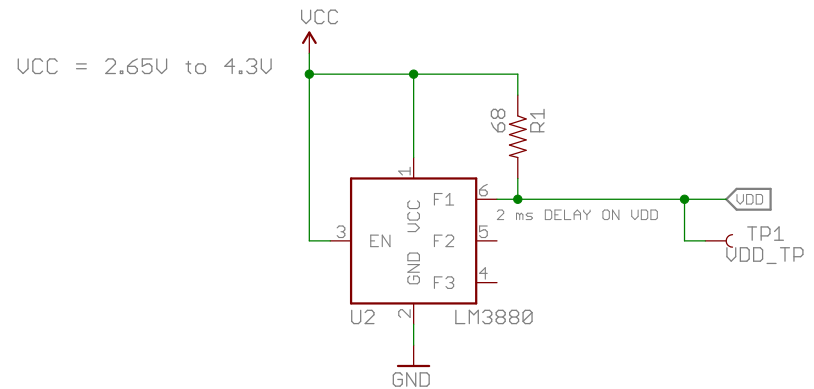


MAIN IC

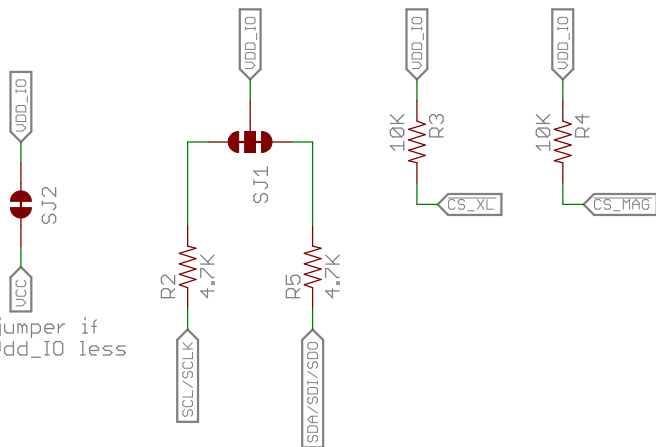


MULTI RAIL POWER SEQUENCER



Each output adds a 2ms delay (AE). Using flag 1 to delay VDD 2ms from VDD_IO.

JUMPERS & PULL-UPS



Cut this jumper if using a Vdd_IO less than Vdd.

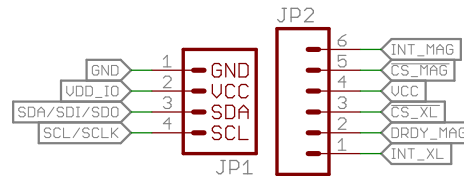
I2C:
XL slave address: 0x1D
MAG slave address: 0x1E

Jumpers are connected by default and used by both I2C and SPI. They may be cut to tune an I2C bus when multiple devices are being used.



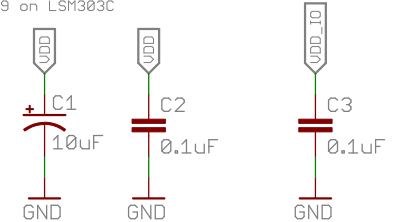
open hardware

HEADERS



BYPASS

Place as close as possible to pin 9 on LSM303C



Released under the Creative Commons Attribution Share-Alike 4.0 License
<https://creativecommons.org/licenses/by-sa/4.0/>

TITLE: SparkFun_LSM303C_6_DOF_IMU_Breakout

Design by: Brent Wilkins

REV: v10

Date: 10/8/2015 2:13 PM

Sheet: 1/1