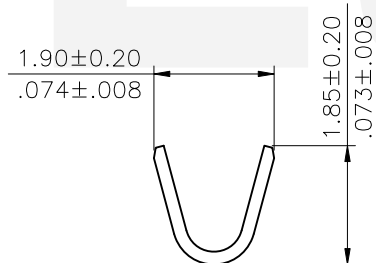
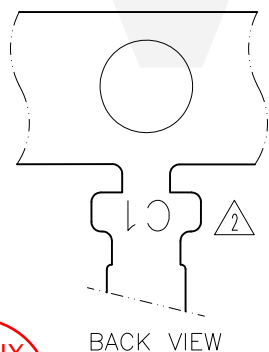
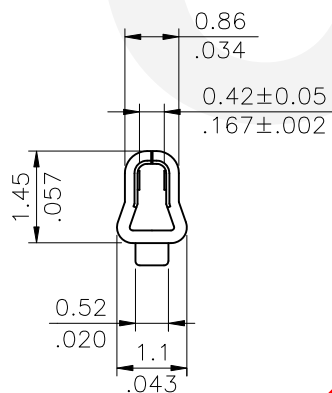


Wire Range	Insulation Diameter	Reel Q'ty
AWG #26~#32	1.10 (.043) MAX.	15,000 PCS.

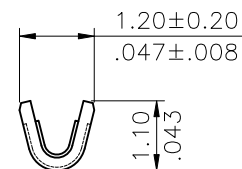
Ordering Code:

CI15 T01 1 P E 0  
 ① ② ③ ④ ⑤ ⑥

- ① Series No.
- ② Type: T01= AWG #26~ #32
- △③ Plating: 1= 30μ" Min. Tin Plated (Reflow Plated)
- ④ Material: P= Phosphor Bronze
- ⑤ Plating method: E= Pre-tinned
- ⑥ Option: 0= Standard



SEC.:A-A



SEC.:B-B

**CVILUX**  
 2022.01.27  
**ISSUED**

**RoHS Compliant**

SYM	NAME	DATE	REVISIONS	APPROVED BY:	DATE	UNIT: mm / inch	TITLE:	FOR CI15 Series terminal		
△4	Sun	1/20-22'	ECRH122001/ECNT122006					MATERIAL:		
△3	Ellie	1/9-15'	ECNT115004	DRAWN BY: Sun	1/20-22'					
△2	Erin	5/7-12'	ECR12021-0/ECN12074-0	ENGINEER: Sun	1/20-22'			FINISH:		
△1	Sun	4/11-07'	ECN07056-0/ECN07133	CHECKED BY: Eisley	1/22-22'					
				APPROVED BY: Eisley	1/22-22'					

**瀚荃股份有限公司**  
**CviLux Corporation**

DRAWING NO.	<b>CI1511SE</b>	PART NO.	<b>CI15T011PEO</b>
SCALE	8 / 1	SHEET	1 OF 1