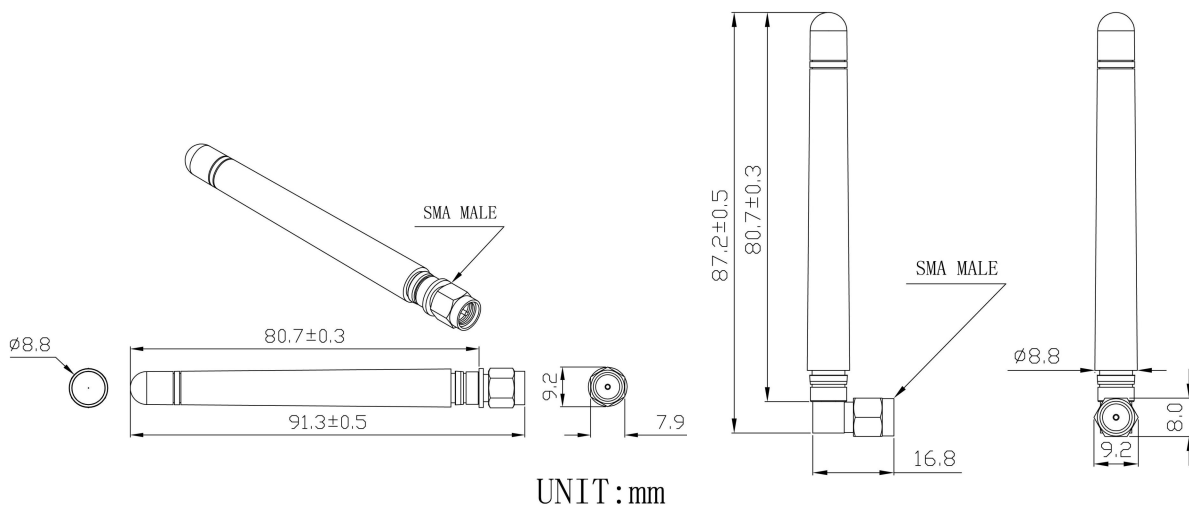


WIFI Antenna JCW015



DIMENSIONS



SPECIFICATIONS

Item	Specifications	
Antenna	Frequency Range	2400~2483.5 MHz
	Band Width	83.5MHz
	Polarization	Linear
	Gain	2dBi (Zenith)
	V.S.W.R (min)	<2.5
	Impedance	50 Ω
	Connector	SMA Male
Environmental	Operating Temperature	-40℃~+85℃
	Vibration	10 to 55Hz with 1.5mm amplitude 2hours
	Environmentally Friendly	ROHS Compliant

Radiation Pattern

