

# Customer Information Sheet

DRAWING No.: S1001-46R

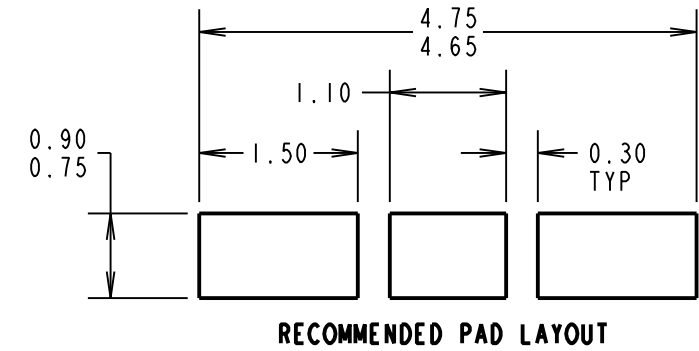
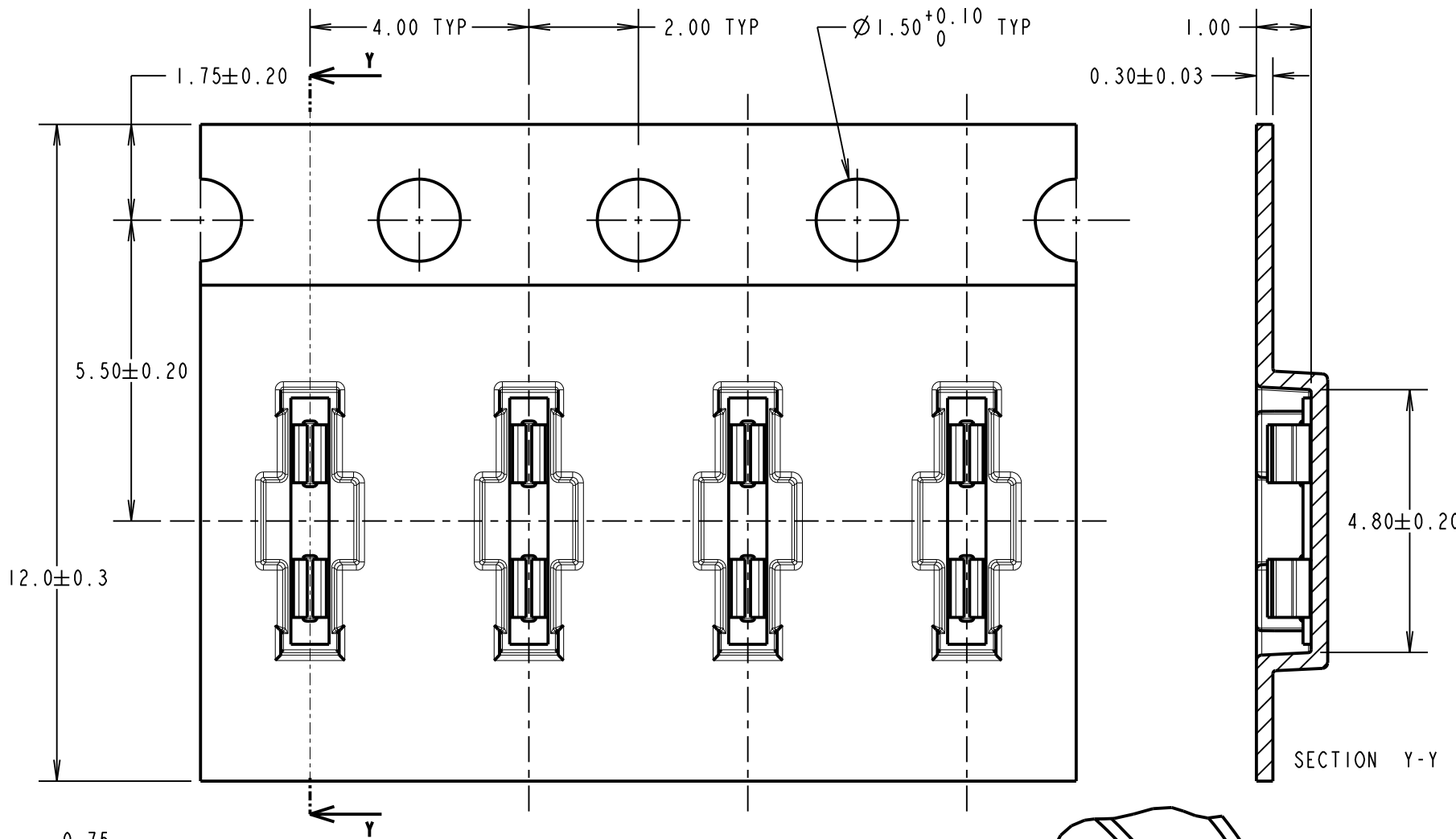
IF IN DOUBT - ASK

©

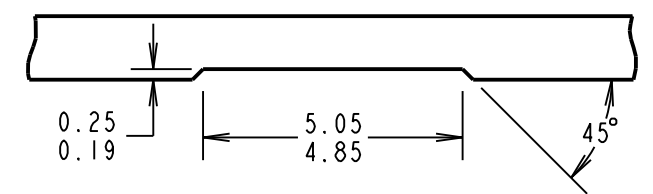
NOT TO SCALE

THIRD ANGLE PROJECTION

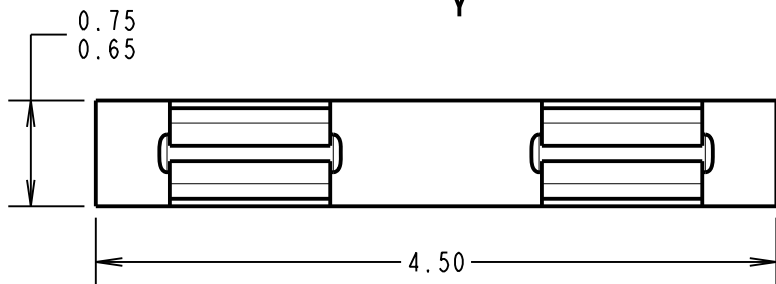
ALL DIMENSIONS IN mm



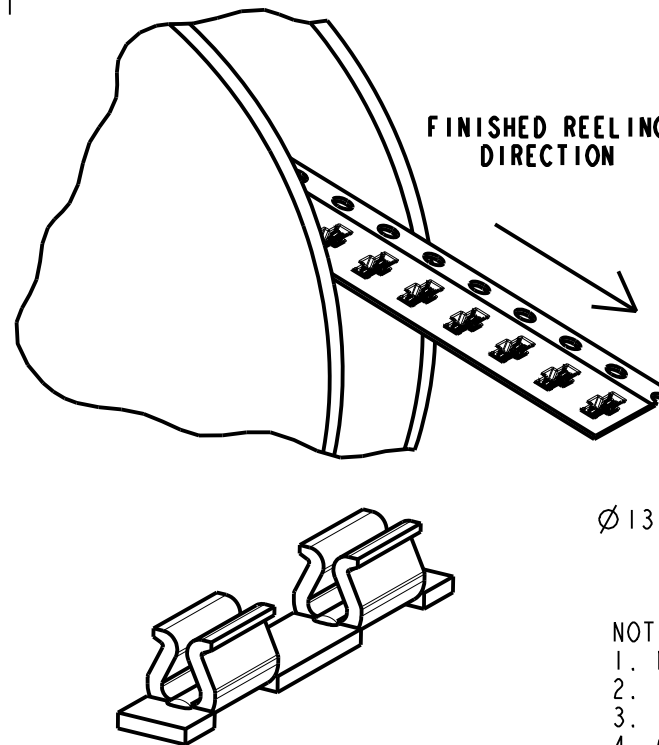
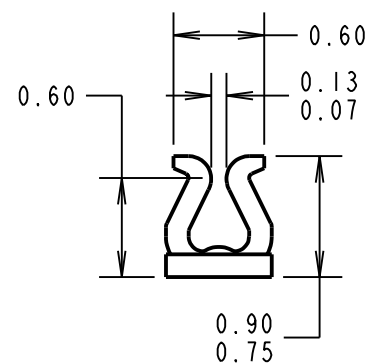
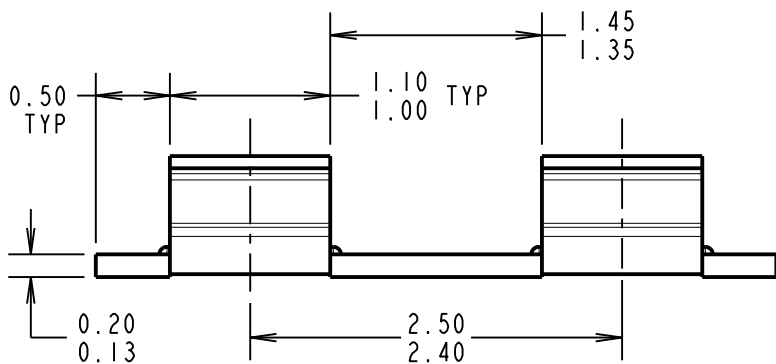
**RECOMMENDED SHIELD CAN CUT OUT**



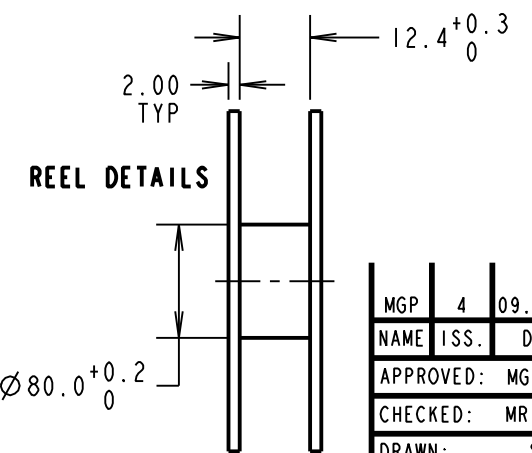
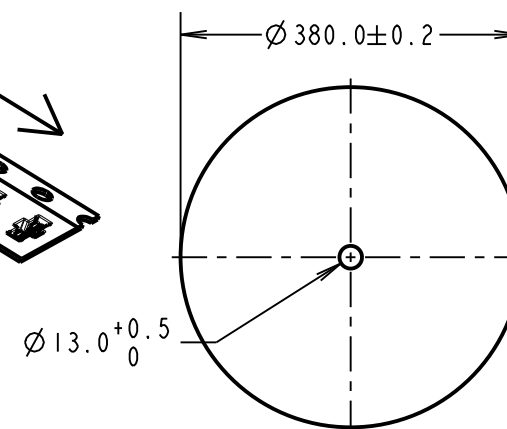
**SPECIFICATION:**  
**MATERIAL:**  
 CONTACT = STAINLESS STEEL  
**ELECTRICAL:**  
 RESISTANCE = 100mΩ MAX  
**MECHANICAL:**  
 INSERTION FORCE = 19.7N MAX  
 WITHDRAWAL FORCE = 0.98N MIN  
 DURABILITY = 10 CYCLES  
**ENVIRONMENTAL:**  
 OPERATING TEMPERATURE = -40°C TO +150°C  
 STORAGE TEMPERATURE = -40°C TO 85°C  
**PACKAGING:**  
 TAPE AND REEL PACKED IN BOX



**COMPONENT DETAILS**



**FINISHED REELING DIRECTION**



**REEL DETAILS**

- NOTES:**
1. MAXIMUM PERMISSIBLE BURR IS 0.03mm MAX.
  2. FINISH = 2.0µm - 3.0µm TIN OVER 0.4µm - 1.2µm NICKEL.
  3. FOR USE WITH 0.15 - 0.20mm THICK SHIELD CANS.
  4. QUANTITY PER REEL = 20,000. 11 REELS PACKED IN BOX.

MGP	4	09.06.20	30053
NAME	ISS.	DATE	CN/CO
APPROVED: MGP			
CHECKED: MR			
DRAWN: S. BENNETT			
CUSTOMER REF.:			
ASSEMBLY DRG:			

**HARWIN**

www.harwin.com  
 technical@harwin.com

THIS DRAWING AND ANY INFORMATION OR DESCRIPTIVE MATTER SET OUT HEREON ARE CONFIDENTIAL AND COPYRIGHT PROPERTY OF THE HARWIN GROUP AND MUST NOT BE DISCLOSED, LOANED, COPIED OR USED FOR MANUFACTURING, TENDERING OR FOR ANY OTHER PURPOSE WITHOUT THEIR WRITTEN PERMISSION.

**TOLERANCES**  
 X. = ±1mm  
 X.X = ±0.50mm  
 X.XX = ±0.20mm  
 X.XXX = ±0.01mm  
 ANGLES = ±5°  
 UNLESS STATED

**MATERIAL:**  
 SEE ABOVE  
**FINISH:** SEE ABOVE  
**S/AREA:** mm<sup>2</sup>

**TITLE:**  
 SURFACE MOUNT RFI  
 SHIELD CLIP IN TAPE AND REEL

**DRAWING NUMBER:**  
 S1001-46R

SHT  
 2 OF 2