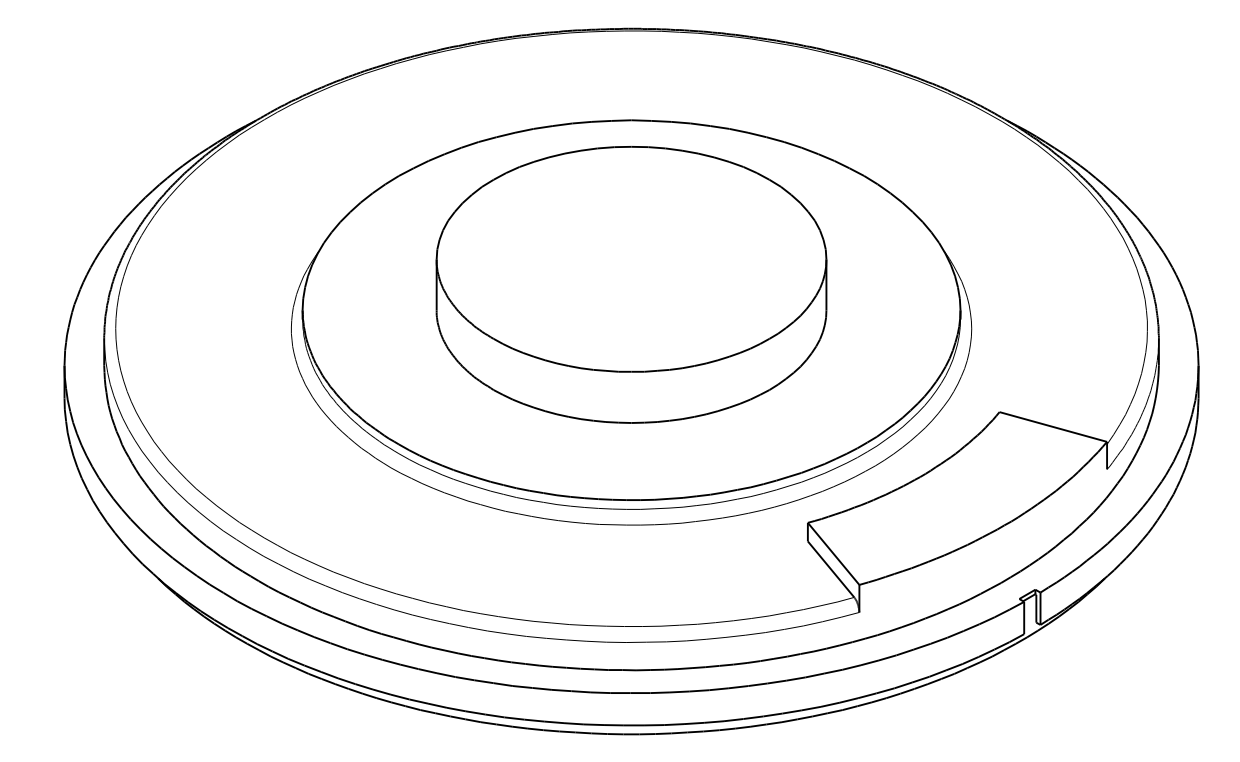
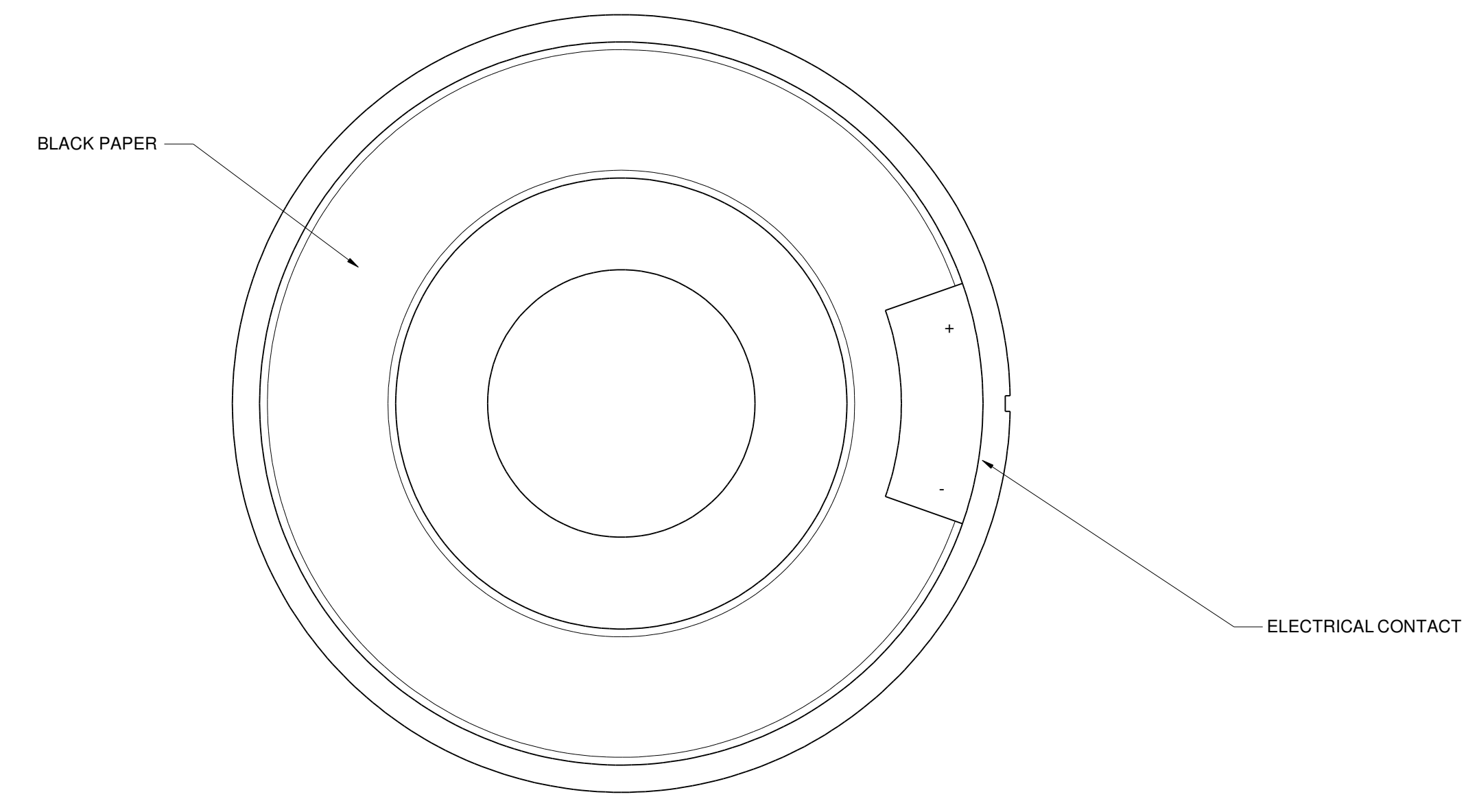
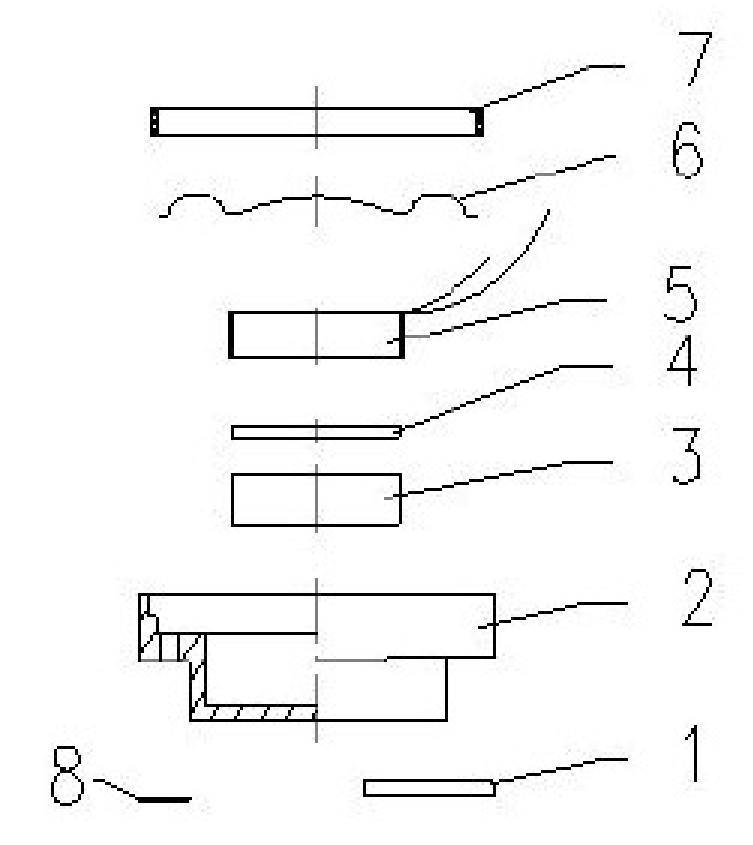
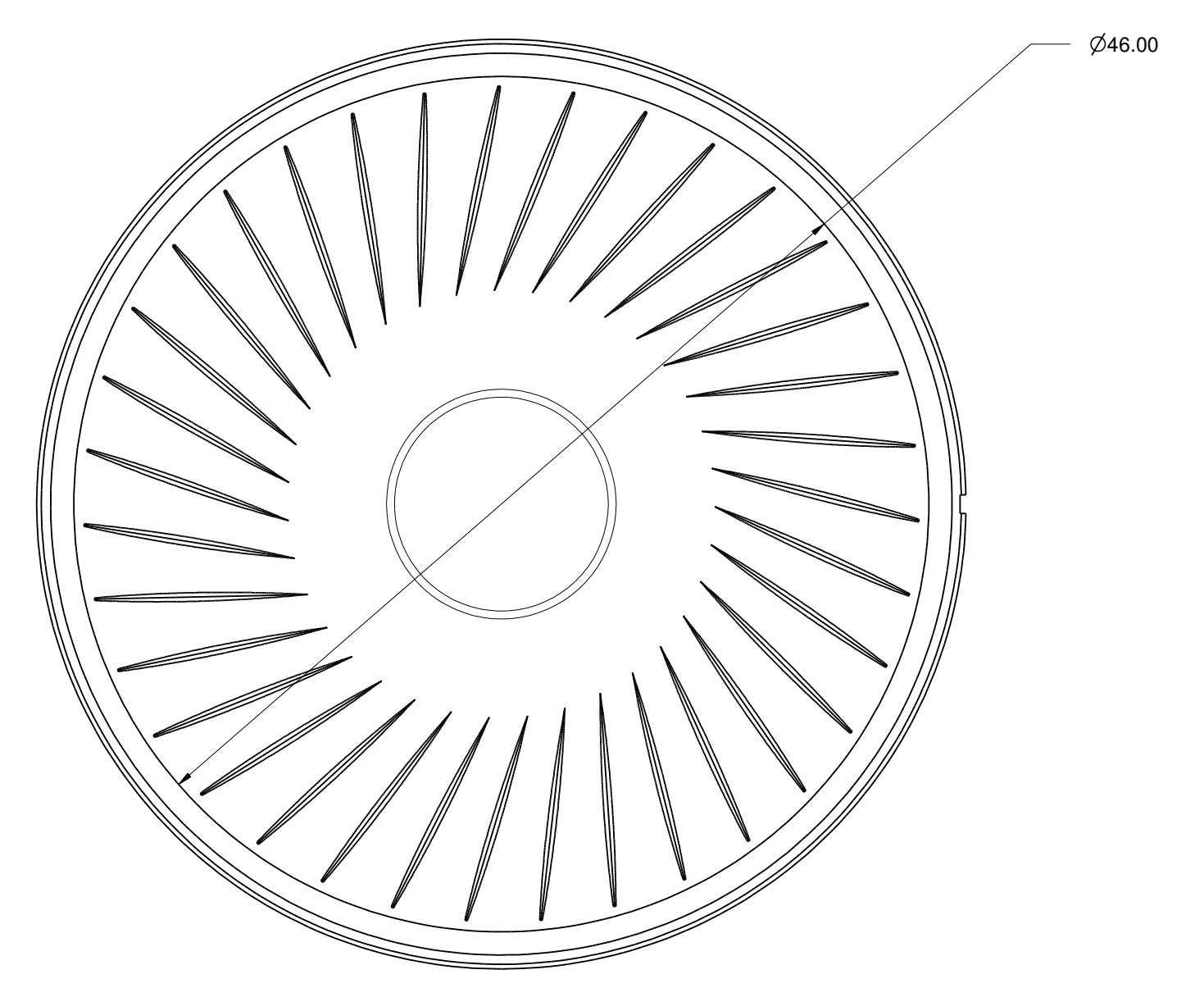
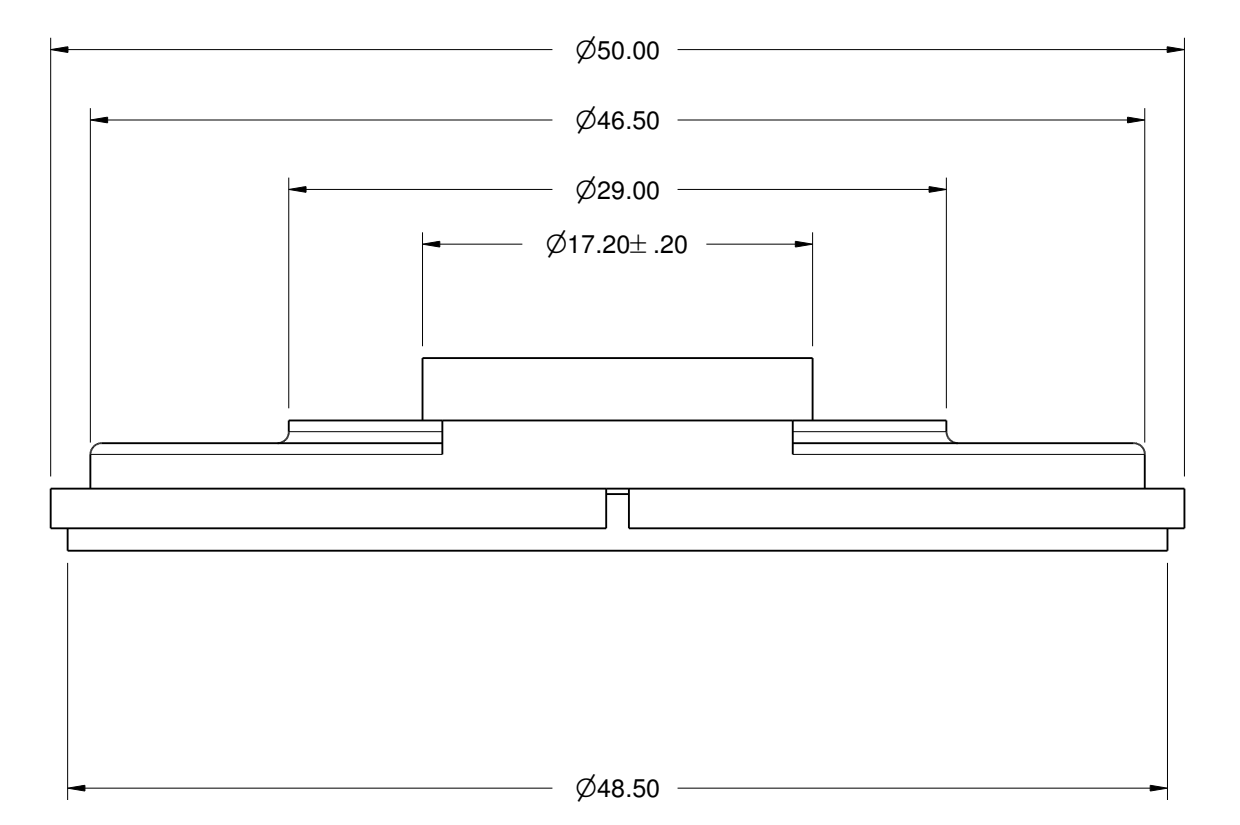
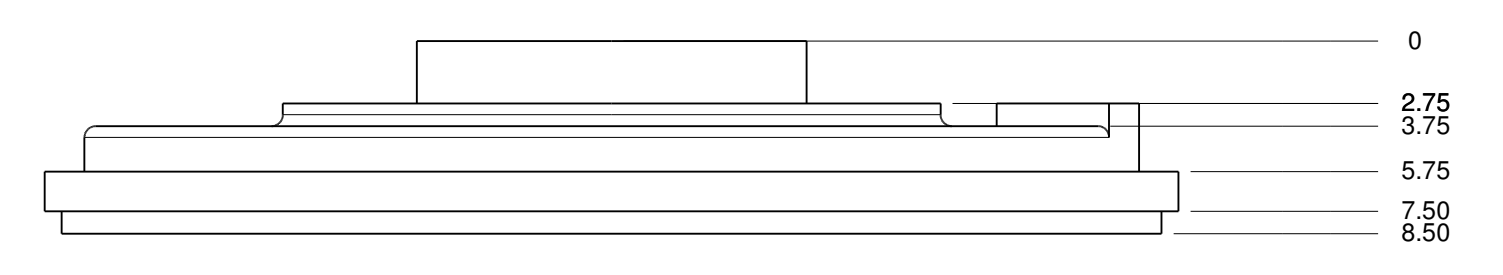


REVISIONS				
ZONE	REV	DESCRIPTION	DATE	APPROVED



No.	Part Name	Material	Quantity
1	Diaphragm	PET	1
2	Magnet	12.5-1.5Nd Fe B	1
3	Plate	12.7-0.8SPCC	1
4	Voice Coil	13.3-2.4-7.4Ω	1
5	Frame	SPCC	1
6	PCB	FR-4	1
7	Gasket	Black Paper	1
8	Silk Screen	Adhesive	1



ALL TOLERANCES +/- .2MM UNLESS NOTED



SIZE	FSCM NO.	DWG NO.	REV
D		SP-5009	
SCALE	1:1	SHEET	1 OF 1