

MICRO SWITCH

FREEPORT ILLINOIS, U.S.A
A DIVISION OF HONEYWELL
FED. MFG. CODE 91929

SWITCH-BASIC

CATALOG LISTING

V3-355

CK-D3400

V3-355

PAGE 1 OF 1

REPLACES X64169-V3

RELEASE NO. PR-5787

M

DRAWING NUMBER

27

X8

ISSUE

8A

CHECK

REVISIONS

A	CO39182	C E B	10 FEB 78
B	CO 59921	SMA	29 SEPT 88
C	CO 73764	D H D	30 NOV 92
D	CO 74087	J W B	17 FEB 93
E	CO 77116	D C S	31 MAR 94
F	CO-93311	TSM	15 OCT 98

CHECK

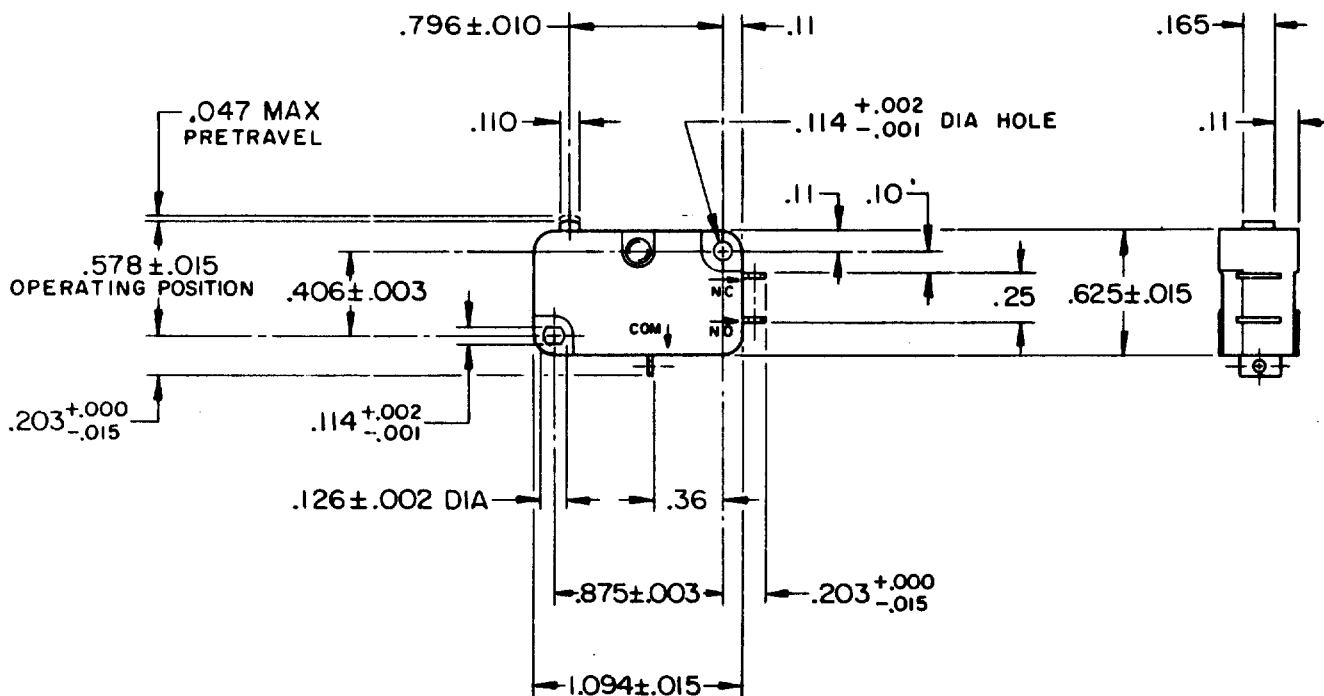
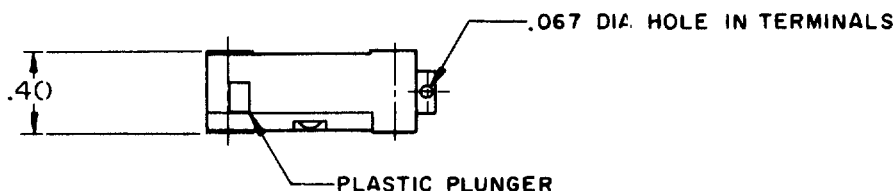
13 APRIL 76

C E B

76

APR 12

FORMTEK

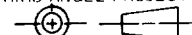


NOTES

- 1 - TERMINALS ARE PLATED FOR SOLDERING
- 2 - IN INSPECTION, DO NOT BURN OUT - GOLD CONTACTS
- 3 - IN INSPECTION, DO NOT EXCEED 10 VDC, .1A RESISTIVE LOAD

THIS DRAWING COVERS A PROPRIETARY ITEM AND IS THE PROPERTY OF MICRO SWITCH, A DIVISION OF HONEYWELL. THIS DRAWING IS NOT TO BE COPIED OR USED WITHOUT THE APPROVAL OF MICRO SWITCH.

THIRD ANGLE PROJECTION



CHARACTERISTICS

OPERATING FORCE	----- 8 OZ MAX
RELEASE FORCE	----- 2 OZ MIN
DIFFERENTIAL TRAVEL	-----.006-.016
OVERTRAVEL	----- .040 MIN
FREE POSITION	----- .625 MAX
RELEASE TRAVEL	----- .007 MIN

ELECTRICAL DATA

CONTACT ARRANGEMENT
S P D T

L156 11A-1/3HP-125, 250, 277VAC
1/2A-125VDC; 1/4A-250VDC
4A-125VAC "L"

SCALE FULL

DO NOT SCALE PRINT

TOLERANCES
APPLY TO DESIGN UNITS. CONVERSIONS ARE ONLY FOR REFERENCE. UNLESS NOTED, TOLERANCES ARE ±

DIM.	TOL.	DIM.	TOL.
mm	mm/in	in	mm/in
NO PLACES	X	1/04	
ONE PLACE	X,X	0.4/016	X,X 0.8/03
TWO PLACES	X,XX	0.15/006	X,XX 0.38/015
THREE PLACES	X,XXX		X,XXX 0.13/005

DESIGN UNITS SI METRIC US CUSTOMARY

WEIGHT .016 LB