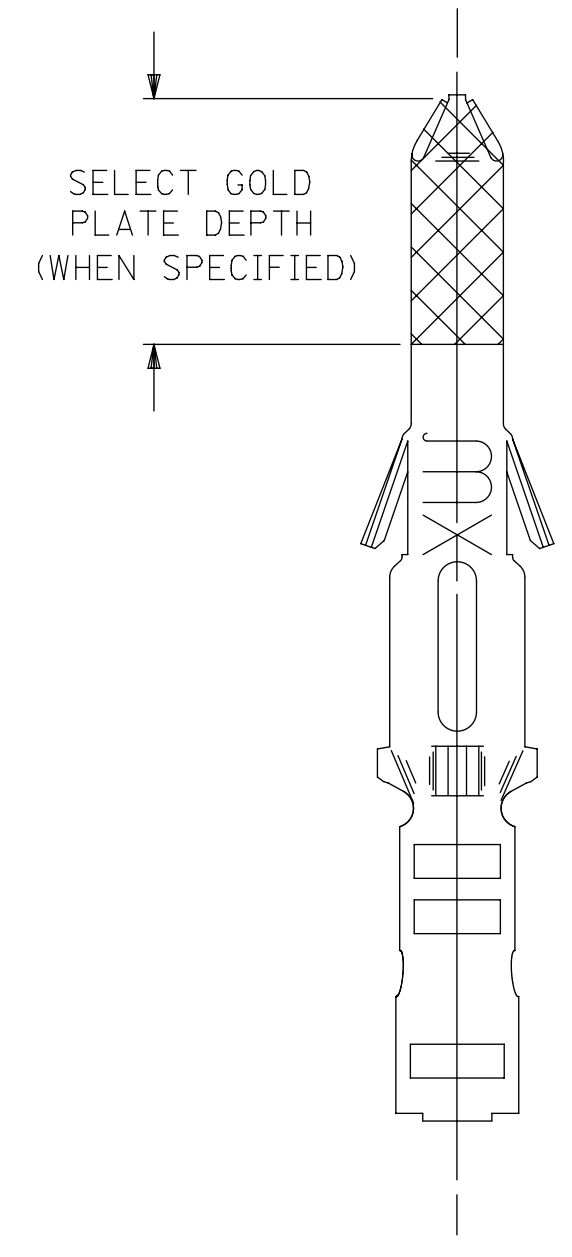
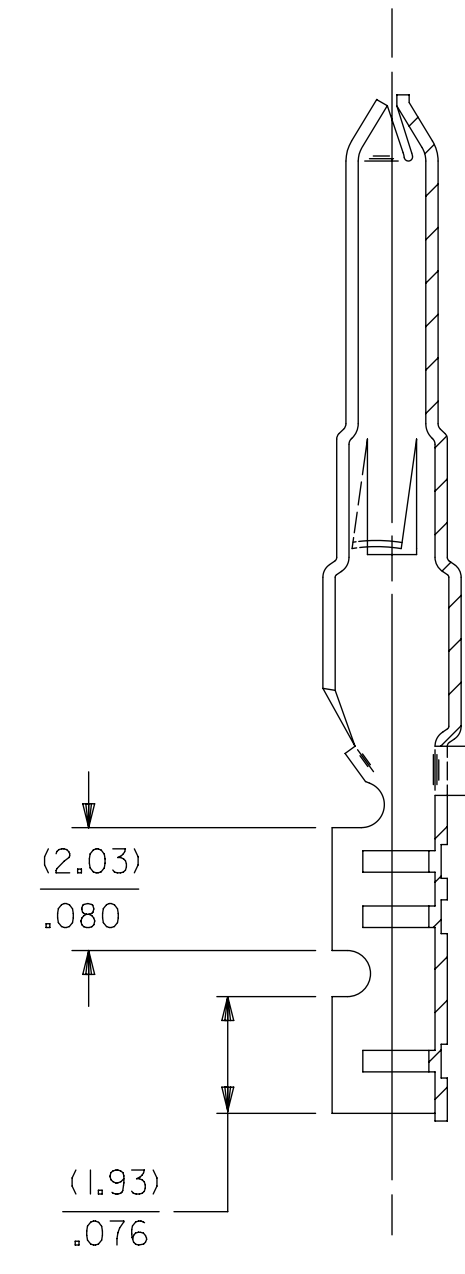
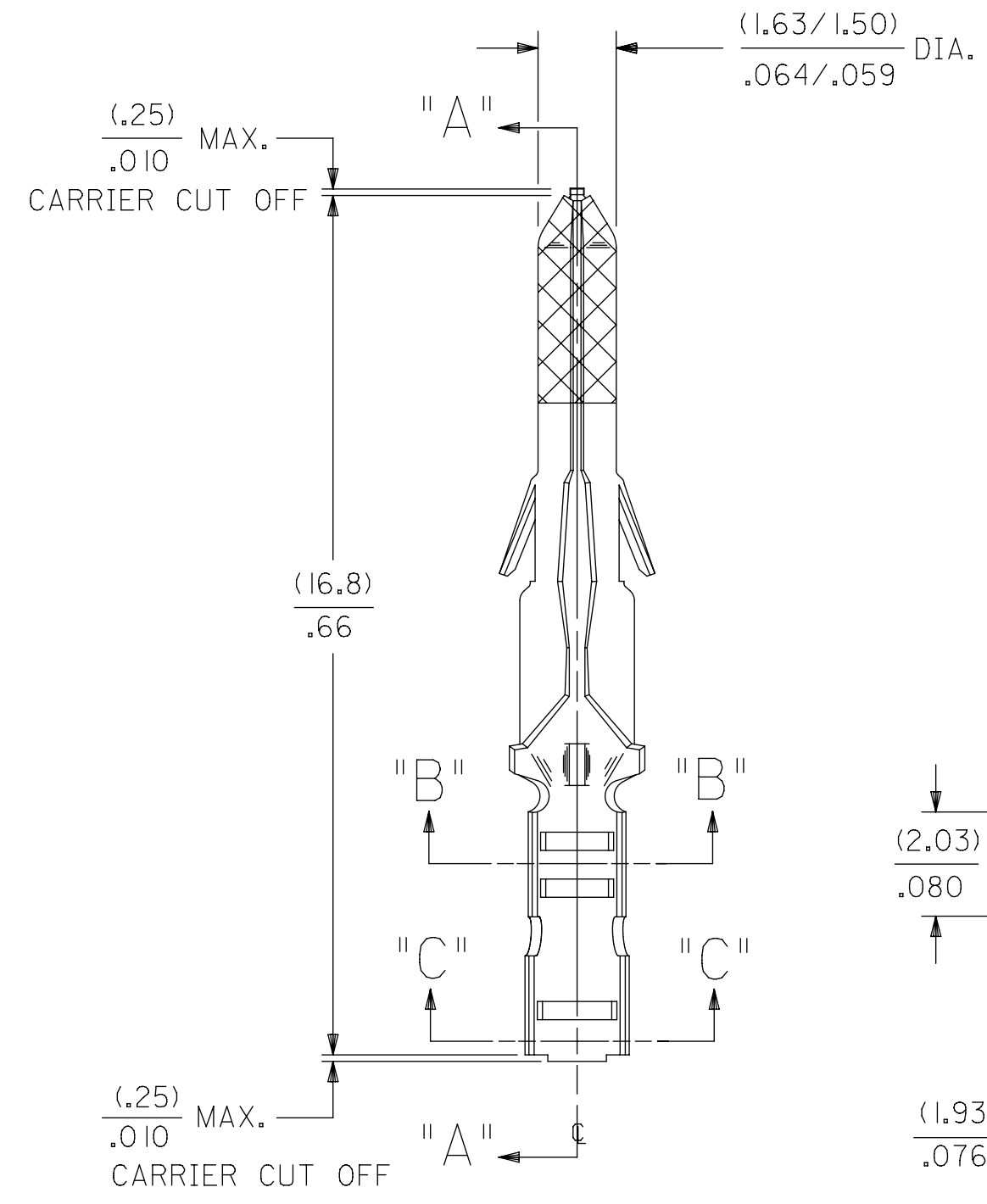
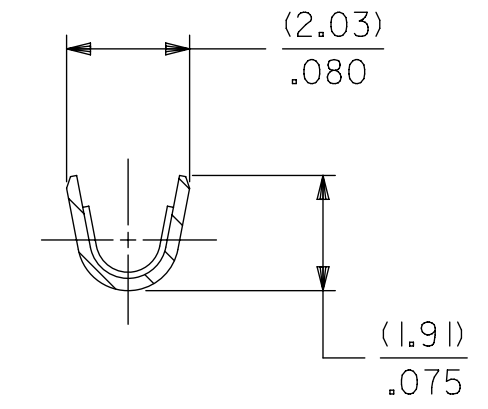
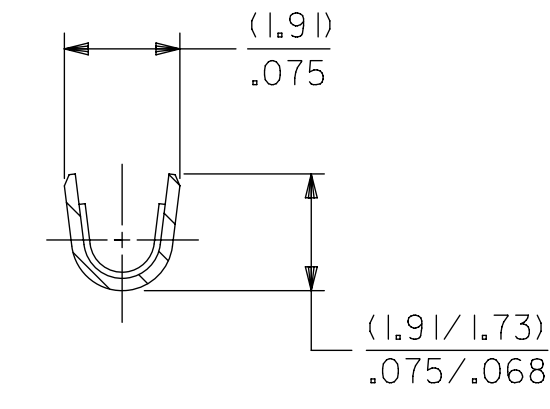
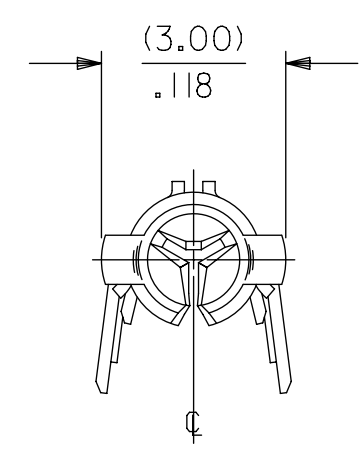
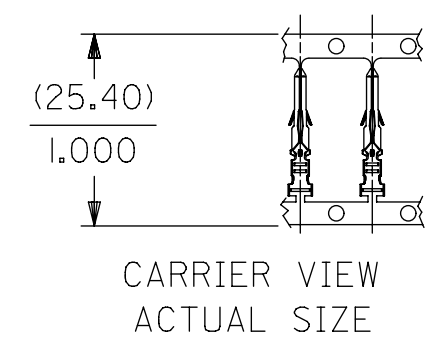


PART NO.	ENG. NO.
02-06-2131	1854-(90 I)
02-06-2132	1854-(90 I)L
02-06-6138	1854-(56 I)
02-06-6139	1854-(56 I)L
02-06-6130	1854-(550)
02-06-6135	1854-(550)L
02-06-6143	1854-(228)
02-06-6144	1854-(228)L



SECT. "A-A"

LEGEND

1854-(****)*

P=PREPLATE
BLANK=POSTPLATE

FINISH CODE

FORM
BLANK=CHAIN
L=LOOSE

- NOTES:
- MATERIAL: BRASS
 - FINISHES:
 - 901 HOT TIN DIP (.00051)/.000020 MIN.
 - 228 SELECT GOLD PLATE (.00075)/.000030 MIN. IN CONTACT AREA, SELECT TIN (.00250)/.000100 MIN. IN CRIMP AREA OVER (.00125)/.000050 MIN. NICKEL OVERALL
 - 561 SELECT GOLD PLATE (.00076)/.000030 MIN. IN CONTACT AREA, (.00127)/.000050 MIN. NICKEL OVERALL.
 - 550 SELECT GOLD PLATE (.00038)/.000015 MIN. IN CONTACT AREA, OVER (.00076)/.000030 MIN. NICKEL OVERALL WITH (.00025)/.000010 MAX. GOLD FLASH OVERALL.
 - PRODUCT SPECIFICATION: PS-02-06
 - PACKAGE INFORMATION:
 - LOOSE TERMINALS: PK-1190-003
 - CHAIN TERMINALS: 18540000-PK
 - TERMINAL FOR USE WITH (1.57)/.062 DIA. SERIES HOUSINGS AND WILL ACCEPT 24 THRU 30 AWG WIRE WITH (1.02/2.29)/.040/.090 INSULATION DIAMETER.

THIS DRAWING CONTAINS INFORMATION THAT IS PROPRIETARY TO MOLEX ELECTRONIC TECHNOLOGIES, LLC AND SHOULD NOT BE USED WITHOUT WRITTEN PERMISSION									
SYMBOLS		DIMENSION UNITS		SCALE		CURRENT REV DESC: REMOVE OBSOLETE			
▽ = 0	0	MM/INCH		8:1					
▽ = 0	0	GENERAL TOLERANCES (UNLESS SPECIFIED)							
▽ = 0	0		MM	INCH					
▽ = 0	0	4 PLACES	±	±	EC NO: 632666				
▽ = 0	0	3 PLACES	±	± 0.01	DRWN: MKIPPER 2020/02/25				
▽ = 0	0	2 PLACES	± 0.25	± 0.014	CHK'D: DSTEIER 2020/02/26				
▽ = 0	0	1 PLACE	± 0.35	±	APPR: FSMITH 2020/06/05				
▽ = 0	0	0 PLACES	±	±	INITIAL REVISION:				
▽ = 0	0	ANGULAR TOL ± 0.5°			DRWN: RFC_PLMIMP 2018/12/01				
▽ = 0	0	DRAFT WHERE APPLICABLE MUST REMAIN WITHIN DIMENSIONS			APPR: JCOMERCI 2001/10/22				
		THIRD ANGLE PROJECTION		DRAWING		SERIES		DOCUMENT NUMBER	
		C-SIZE		1854		SD-1854-X		DOC TYPE DOC PART REVISION	
		SEE CHART		GENERAL MARKET		1 OF 1			