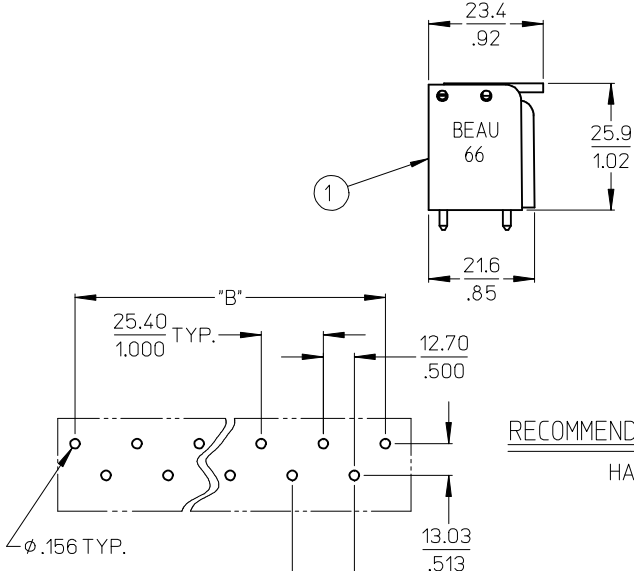
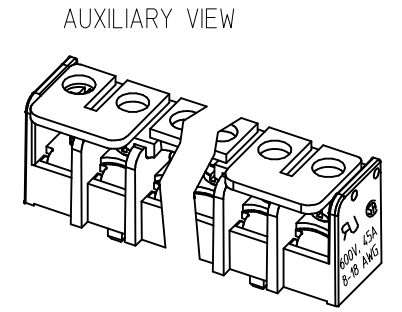
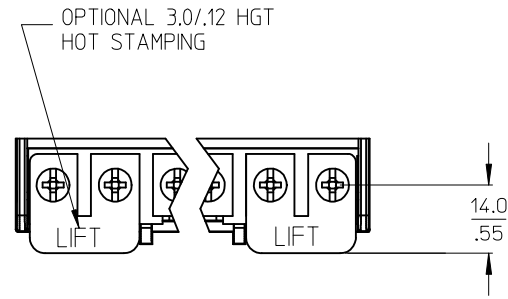


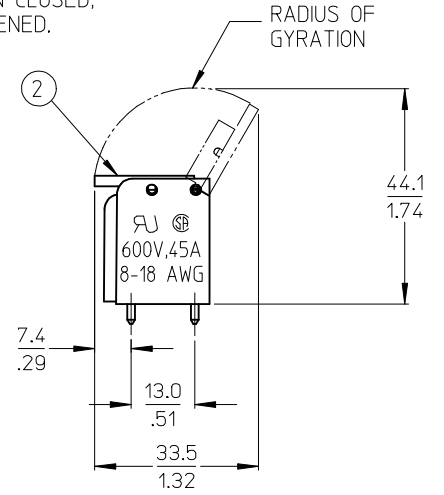
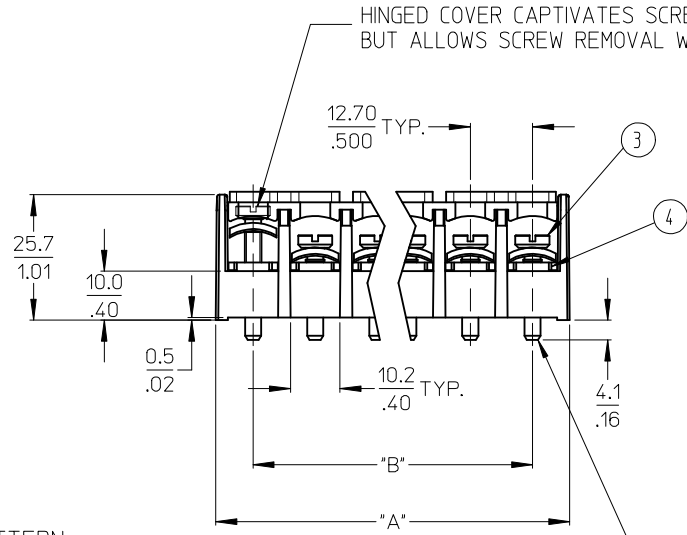
MATERIAL NUMBER	NUMBER OF CIRCUITS "XX"	"A"		"B"	
		mm	inches	mm	inches
38669-8015 (E)	3	40.9	1.61	25.4	1.00
38669-8017 (E)	4	53.6	2.11	38.1	1.50
38669-8019 (E)	5	66.3	2.61	50.8	2.00
38669-8016 (E)	6	79.0	3.11	63.5	2.50
	7	91.7	3.61	76.2	3.00
	8	104.4	4.11	88.9	3.50
	9	117.1	4.61	101.6	4.00
38669-8014 (E)	10	129.8	5.11	114.3	4.50

NOTES:

1. MATERIAL: SEE TABLE
2. "XX" REFERS TO NUMBER OF CIRCUITS
3. ALL COMPONENTS ARE ROHS COMPLIANT



RECOMMENDED PTH PATTERN  
HALF SCALE



1.60 X 3.30  
.063 X .130  
PC TAIL, TYP.

ITEM	QTY.	DESCRIPTION	MATERIAL	FINISH
4	XX	TERMINAL	BRASS	TIN PLATE
3	XX	SCREWS M4 X .7	STEEL	ZINC CHROMATE PLATE
2	1	HINGED COVER	POLYESTER (PBT)	BLACK
1	1	INSULATOR, SINGLE ROW	POLYESTER (PBT)	BLACK

UPDATE TABLE MATERIAL NO. EC NO: IPG2013-0687 DRWN: JENC INAS 2012/11/15 CHKD: JMACNEIL 2013/01/14 APPR: JMACNEIL 2013/02/01	QUALITY SYMBOLS ▽=0 ▽=0	GENERAL TOLERANCES (UNLESS SPECIFIED)		DIMENSION STYLE MM/IN		SCALE 1:1	DESIGN UNITS INCH	THIRD ANGLE PROJECTION	
		4 PLACES ± --- ± --- 3 PLACES ± --- ± .005 2 PLACES ± 0.13 ± .01 1 PLACE ± 0.3 ± --- ANGULAR ± 2 °	DRAWN BY R. STONE	DATE 2003/03/05	CHECKED BY R. KEMP	DATE 2003/07/29	TITLE .500" PCB TRI-BARRIER TERMINAL STRIP W/HINGED COVER AND CAPTIVE SCREW		
DRAFT WHERE APPLICABLE MUST REMAIN WITHIN DIMENSIONS		SEE CHART		MATERIAL NO. SD-38669-002		DOCUMENT NO. SD-38669-002		SHEET NO. 1 OF 1	
THIS DRAWING CONTAINS INFORMATION THAT IS PROPRIETARY TO MOLEX INCORPORATED AND SHOULD NOT BE USED WITHOUT WRITTEN PERMISSION									