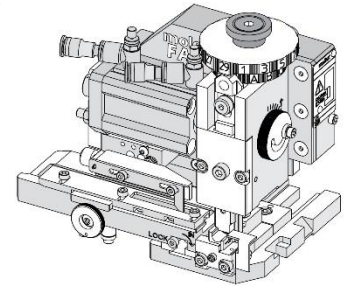


**Order Number
63808-2510**

molex®

Application Tooling Specification



FEATURES

- Applicator designed to industry-standard mounting and 135.80mm (5.346") shut height
- Quick setup time; plus, the crimp height, track and feed adjustments can be set without removing the applicator from the press
- Fine adjustment allows users to achieve target with little effort by adjusting in increments of .015mm (.0006") for conductor crimp height and .025mm (.001") for insulation height
- Fine adjustment of the bend is achieved using the bend control adjust dial
- Independent adjustment rings allow users to quickly adjust the conductor or insulation crimp height without affecting each other
- Directly adapts to most automatic wire processing machines
- This applicator is configured with a pneumatic feed, which requires a 4-way pneumatic valve for operation

SCOPE

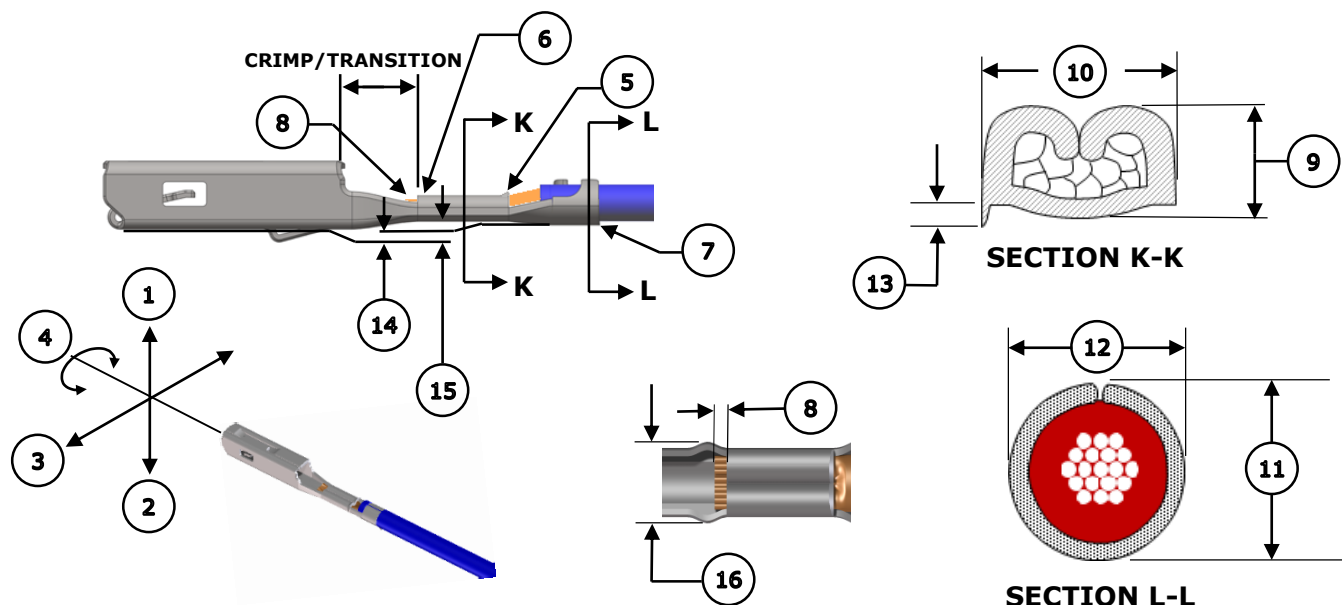
Products: MX150 ISO (M3) Receptacle Terminals: 0.35mm² and 0.50mm² type ISO wire.

| Terminal Series No. | Terminal Order No. | Wire Type and Size | | Insulation Diameter | | Strip Length | |
|----------------------------------|---|---------------------------|-----------------|---------------------|-----------|--------------|-----------|
| | | Type | mm ² | mm | In. | mm | In. |
| 33001 33012 34750 34780 | 33001-3006, 33001-5005, 33012-3004, 34750-1004, 34780-1004 | PSA FTP 00949_10_00766 | 0.35 | 1.20-1.40 | .047-.055 | 4.70-5.60 | .185-.220 |
| | | PSA FTP 00949_10_00767 | 0.50 | 1.40-1.70 | .055-.067 | 4.70-5.60 | .185-.220 |
| | | TZ3HID FLR91X-A-XLPO | 0.35 | 1.20-1.40 | .047-.055 | 4.70-5.60 | .185-.220 |
| | | | 0.50 | 1.40-1.70 | .055-.067 | 4.70-5.60 | .185-.220 |
| | | JASO D611 (AVSS) | 0.50 | 1.40-1.70 | .055-.067 | 4.70-5.60 | .185-.220 |
| | | AVSSB | | | | | |
| JASO D608 (AVSSH) | | | | | | | |

CAUTION: This applicator was designed for use in a wire processor only.

CAUTION: To operate the pneumatic feed, a 4-way pneumatic valve is required.

DEFINITION OF TERMS



CRIMP SPECIFICATIONS

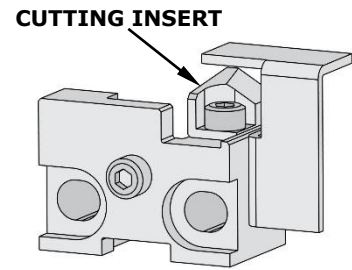
The following crimp specifications are based on document AS-33012-002 Rev. E:

| Feature | Requirement | | | |
|-----------------------------|---|---|------------------------------|---|
| 1. Bend Up | 1.5° Max | | | |
| 2. Bend Down | 1.5° Max | | | |
| 3. Twist | 3° Max | | | |
| 4. Roll | 3° Max | | | |
| 5. Rear Bell Mouth | 0.30-0.70mm (.012-.028") | | | |
| 6. Front Bell Mouth | Not Applicable | | | |
| 7. Cut-Off Tab | 0.50mm (.020") Max No Burr | | | |
| 8. Conductor Brush | 0.40mm (.016") Max Not to extend above conductor crimp/transition height | | | |
| 9. Conductor Crimp Height | Wire Type | | Wire Size | Crimp Height |
| | PSA FTP 00949 10_00766 | | 0.35mm ² | 1.05-1.11mm .041-.043 in. |
| | PSA FTP 00949 10_00767 | | 0.50mm ² | 1.10-1.20mm .043-.047 in. |
| | TZ3HID FLR91X-A-XLPO | | 0.35mm ² | 1.02-1.08mm .040-.042 in. |
| | TZ3HID FLR91X-A-XLPO | | 0.50mm ² | 1.05-1.15mm .041-.045 in. |
| | JASO D611 (AVSS) AVSSB | | 0.50mm ² | 1.05-1.15mm .041-.045 in. |
| JASO D608 (AVSSH) | | | | |
| 10. Conductor Crimp Width | 1.50-1.70mm (.059-.067") | | | |
| Pull Force | 0.35mm ² | 50 N | 11.3 lb. | To be measured with no influence from the insulation crimp. |
| | 0.50mm ² | 75 N | 16.9 lb. | |
| 11. Insulation Crimp Height | Wire Type | | Wire Size | Crimp Height |
| | PSA FTP 00949 10_00766 | | 0.35mm ² | 1.65-1.85mm .065-.073 in. |
| | PSA FTP 00949 10_00767 | | 0.50mm ² | 2.05-2.15mm .081-.085 in. |
| | TZ3HID FLR91X-A-XLPO | | 0.35mm ² | 1.65-1.85mm .065-.073 in. |
| | TZ3HID FLR91X-A-XLPO | | 0.50mm ² | 1.80-2.00mm .071-.079 in. |
| | JASO D611 (AVSS) AVSSB | | 0.50mm ² | 1.95-2.05mm .077-.081 in. |
| JASO D608 (AVSSH) | | 0.50mm ² | 1.85-1.95mm .073-.077 in. | |
| 12. Insulation Crimp Width | 1.90-2.10mm (.075-.083") | | | |
| 13. Conductor Anvil Flash | Height | Not to extend below lowest point of conductor crimp | | |
| | Width | 0.1mm (.004") Max | | |
| 14. Insulation Grip Step | 0.15±0.30mm (.006±.008") | | | |
| 15. Conductor Grip Step | 0.30±0.15mm (.008±.006") | | | |
| 16. Crimp Bulge | 2.55mm (.100") Max within the crimp/transition area | | | |

NOTES

Applicator Notes

- This applicator is for automatic wire processor use only.
- This applicator does not include a cutting insert.
- Installing a cutting insert will cause jamming in this applicator.



Specification Notes

- It is very important that the brush length is consistently within specification for this sealed connector system to work properly.
- This applicator should only be run in a properly set up wire processor to consistently achieve the brush length.

General Notes

1. Molex recommends that an extra perishable tooling kit be maintained at your facility.
2. Verify tooling alignment by hand cycling the press and applicator before crimping under power. Check that all screws are tight.
3. Slugs, terminals, dirt and oil should be kept clear of the work area.
4. Wear safety glasses at all times.
5. For recommended maintenance, refer to the FA2 manual (TM-638080200).
6. Molex recommends crimping stranded copper wire only.
7. Lubrication must be used when crimping gold and select gold terminals to prevent terminals from sticking in the conductor punch. Use 63801-7240 oiler or equivalent.

WARNINGS

CAUTION: This applicator must be installed in a press with a standard shut height of 135.80mm (5.346"). Tooling damage could result at a lower setting.

CAUTION: To prevent injury, never operate this applicator without the guards supplied with the press or wire-processing machine in place. Reference the press or wire processing manufacturer's instruction manual.

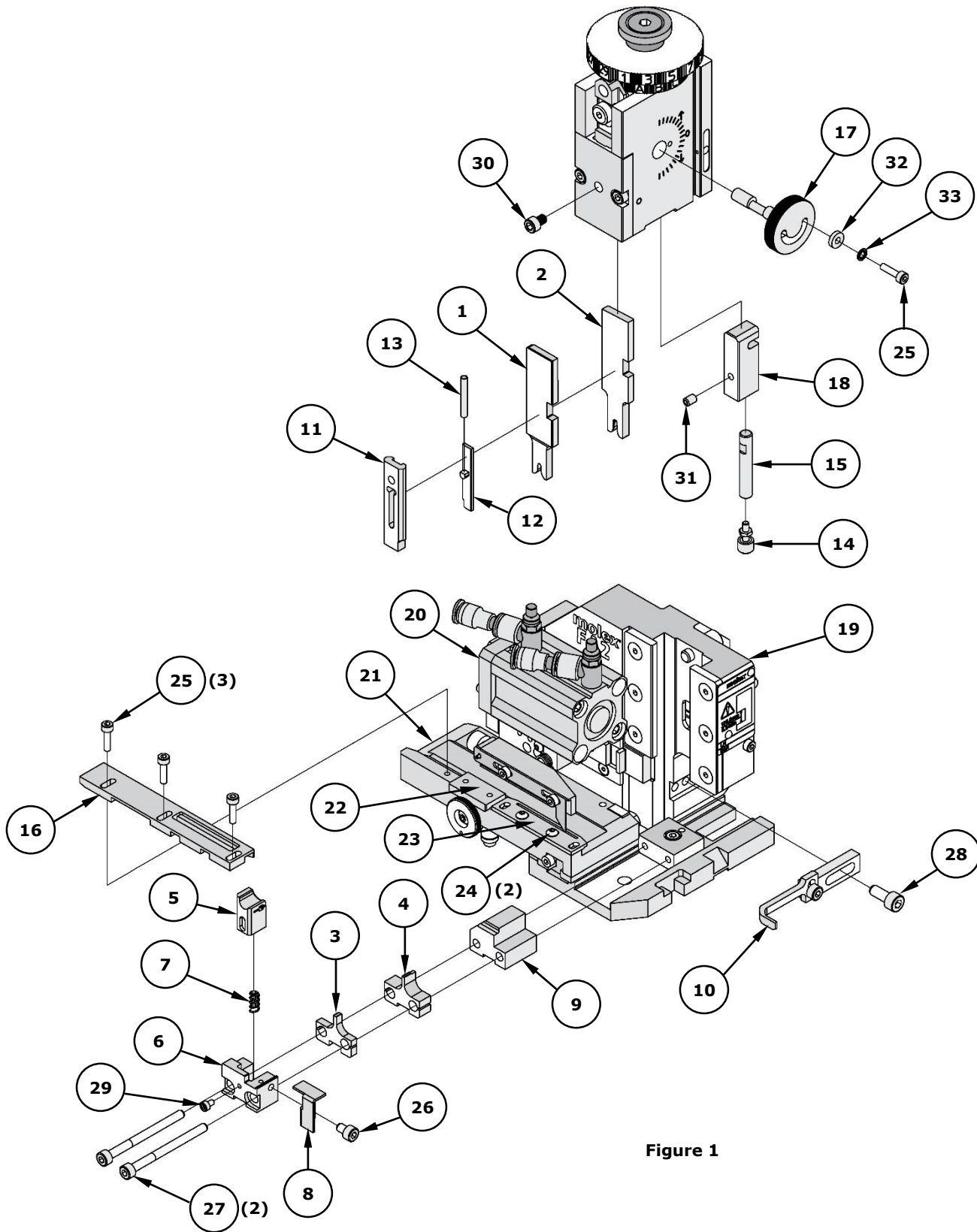
CAUTION: Molex tooling crimp specifications are valid only when used with Molex terminals and tooling manufactured by Molex and sold by Molex or authorized distributors ("Molex Tooling"). When using tooling other than Molex Tooling with Molex-specific connector systems listed in our ATS documents, the Molex Tooling qualification does not apply, and the responsibility for full qualification of the connector system is that of the customer. Molex accepts no liability for connector performance or tooling support where tooling other than Molex Tooling is used or where Molex Tooling is modified.

PARTS LIST

| Applicator 63808-2510 | | | | |
|------------------------------|------------------|------------------------|-----------------------------|-----------------|
| Item | Order No. | Engineering No. | Description | Quantity |
| Perishable Tooling | | | | |
| | 63808-2570 | 63808-2570 | Tool Kit (All "Y" Items) | REF |
| 1 | 63454-0172 | 63454-0172 | Insulation Punch | 1 Y |
| 2 | 63457-1502 | 63457-1502 | Conductor Punch | 1 Y |
| 3 | 63456-0078 | 63456-0078 | Insulation Anvil | 1 Y |
| 4 | 63455-0098 | 63455-0098 | Conductor Anvil | 1 Y |
| 5 | 63443-0034 | 63443-0034 | Cut-Off Plunger | 1 Y |
| Other Components | | | | |
| 6 | 63443-0128 | 63443-0128 | Front Plunger Retainer | 1 |
| 7 | 11-24-1067 | 4996-4 | Cut-Off Plunger Spring | 1 |
| 8 | 63443-0117 | 63443-0117 | Front Scrap Chute | 1 |
| 9 | 63443-7501 | 63443-7501 | Anvil Mount | 1 |
| 10 | 63443-0090 | 63443-0090 | Wire Stop | 1 |
| 11 | 63443-2804 | 63443-2804 | Front Plunger Striker | 1 |
| 12 | 63443-2915 | 63443-2915 | Wire Hold Down Plunger | 1 |
| 13 | 63600-0021 | 63600-0021 | Wire Hold Down Spring | 1 |
| 14 | 63600-5776 | 63600-5776 | Nose Hold Down | 1 |
| 15 | 63600-5775 | 63600-5775 | Nose Hold Down Shank | 1 |
| 16 | 63443-4716 | 63443-4716 | Terminal Guide | 1 |
| 17 | 63808-0229 | 63808-0229 | Bend Adjust Dial | 1 |
| 18 | 63808-0220 | 63808-0220 | Hold Down Block | 1 |
| Frame | | | | |
| 19 | 63808-0200 | 63808-0200 | Applicator Core | 1 |
| 20 | 63808-0196 | 63808-0196 | Air Feed Assembly | 1 |
| 21 | 63443-4601 | 63443-4601 | Track | 1 |
| 22 | 63443-4801 | 63443-4801 | Drag Pad | 1 |
| 23 | 63443-4602 | 63443-4602 | Carrier Cover | 1 |
| Hardware | | | | |
| 24 | — | — | M3 by 6 Long BHCS | 2* |
| 25 | — | — | M3 by 12 Long SHCS | 4* |
| 26 | — | — | M4 by 6 Long SHCS | 1* |
| 27 | — | — | M4 by 50 Long SHCS | 2* |
| 28 | — | — | M5 by 12 Long SHCS | 1* |
| 29 | — | — | M2.5 by 4 Long SHCS | 1* |
| 30 | — | — | #10-32UNF by .25" Long SHCS | 1* |
| 31 | — | — | M4 by 6 Long Set Screw | 1* |
| 32 | — | — | M3 Flat Washer Hard | 1* |
| 33 | — | — | M3 Inner Tooth Lock Washer | 1* |

* Available from an industrial supply company.

ASSEMBLY DRAWING



FACTORY SETTINGS

Feed Pawl Assembly

The FA2 applicator number 63808-2510 ships with the following factory settings. See Figure 2:

- The feed pawl shaft and M3 screw that holds the feed pawl spring are in position 3.
- The pin is in position B.

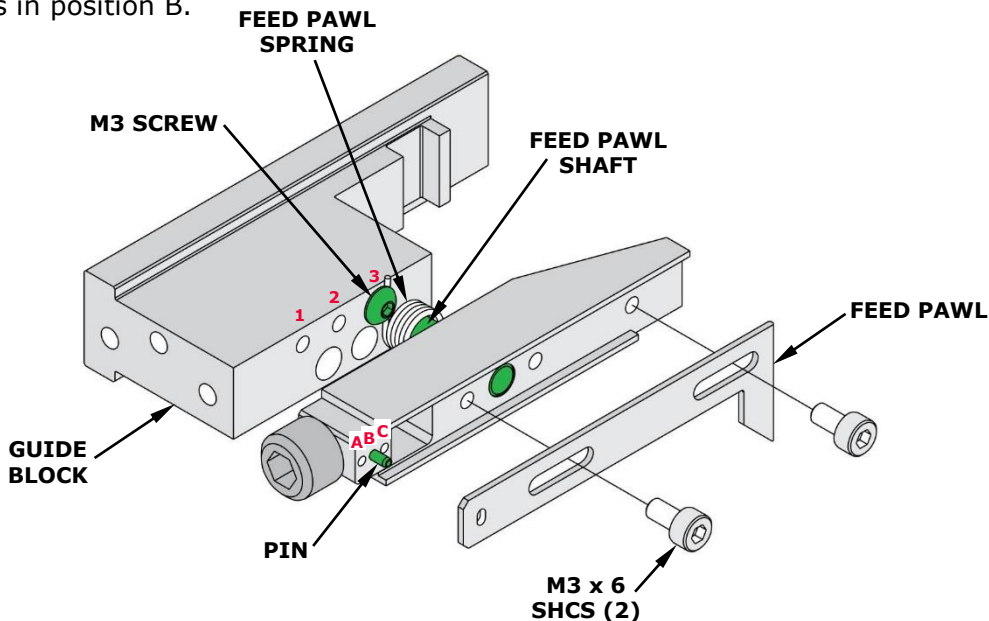


Figure 2

Note: Each applicator is configured and tested by Molex prior to shipping, and the above settings were used to produce the included sample crimps.

Third Dial/Ram Assembly

○ Indicates item number on the Parts List and Assembly Drawing

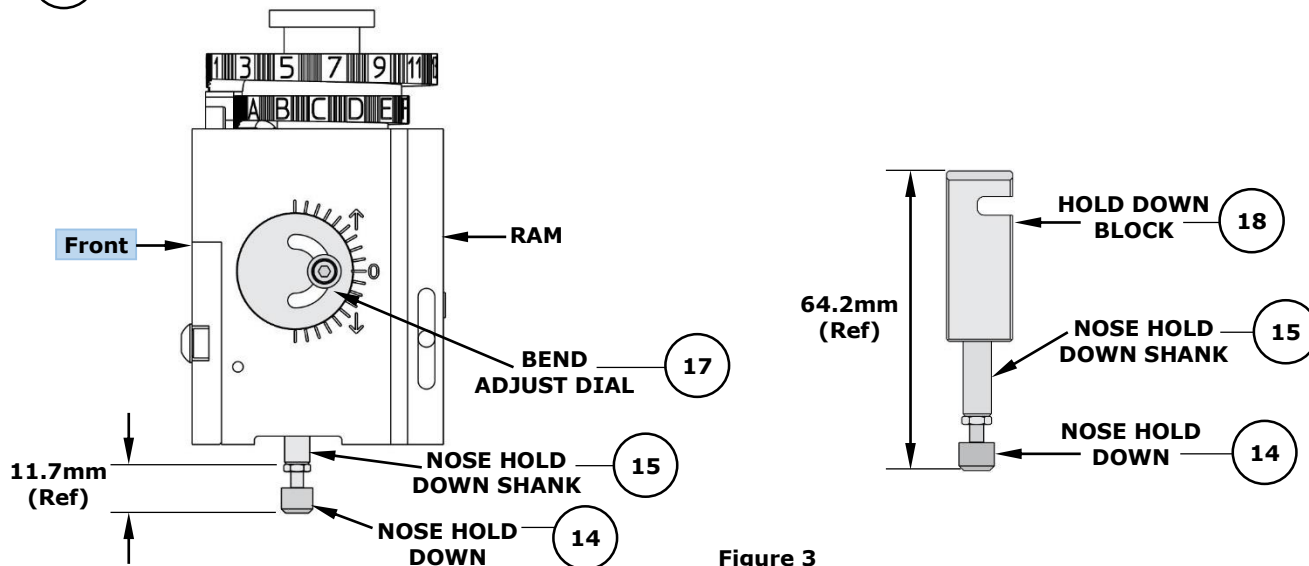


Figure 3

Note: The above dimensions were measured during setup and are included as a reference only. Additional adjustments may be required before crimping for production.

PNEUMATIC CONNECTION (AIR FEED)

- The air feed applicator uses a double-acting air cylinder that must be actuated by a 4-way air valve.
- The air cylinder is equipped with push-in fittings for 6mm diameter vinyl or Nylon tube. Adapters are included for ¼" diameter and 4mm diameter vinyl or Nylon tube.

Note: The TM-3000 and TM-4000 presses have air valves with ¼" diameter tube fittings. Be sure to install the ¼" diameter adapters in the air cylinder fittings, and use ¼" diameter vinyl or Nylon tube.

- Pneumatic tubes must be connected as shown in Figure 4. Tubes are typically connected so the terminal feed is forward when the applicator ram is up.
- When using the TM-3000 or TM-4000 presses, connect the tubes to the press air valve as shown in Figure 5.

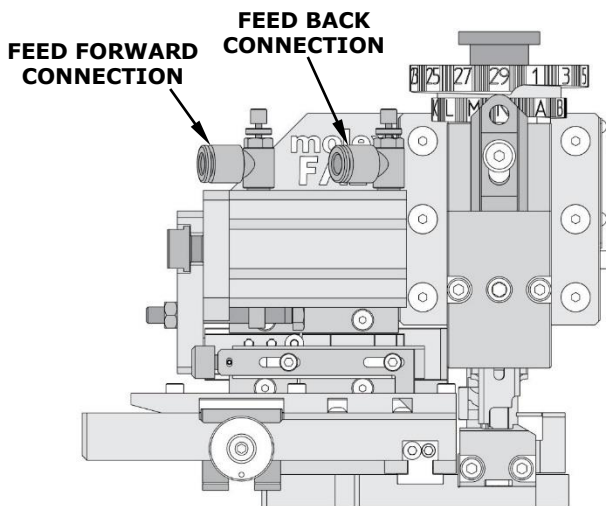


Figure 4

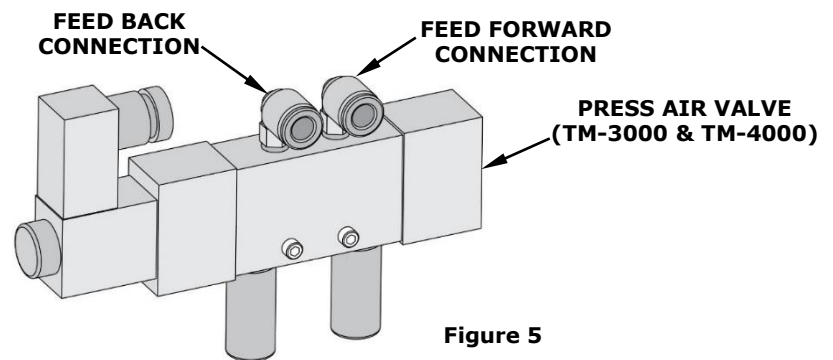


Figure 5

Application Tooling Support

Phone: (402) 458-TOOL (8665)
E-Mail: applicationtooling@molex.com
Website: www.molex.com/applicationtooling

Molex is a registered trademark of Molex, LLC in the United States of America and may be registered in other countries; all other trademarks listed herein belong to their respective owners.