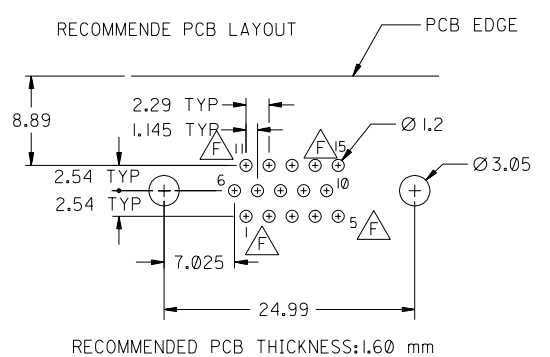
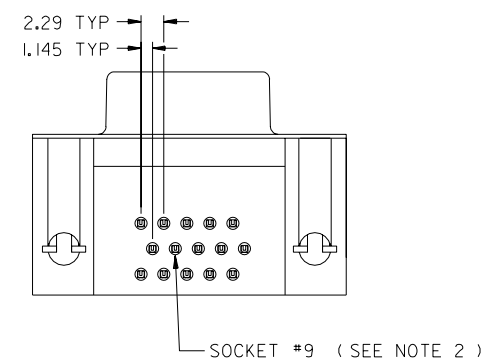
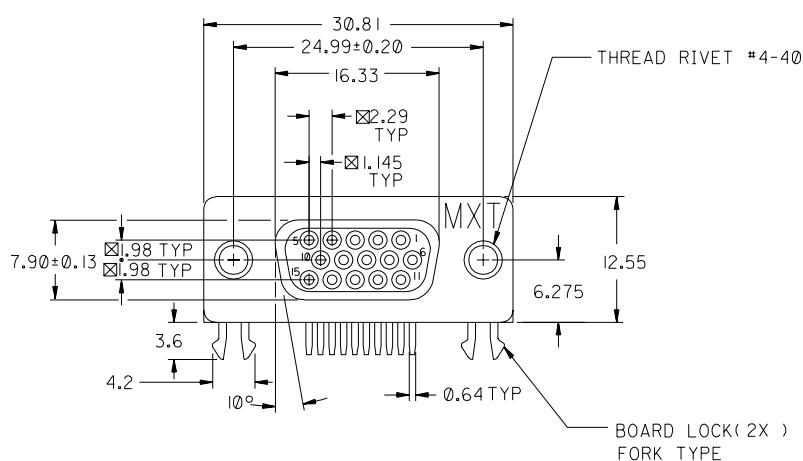
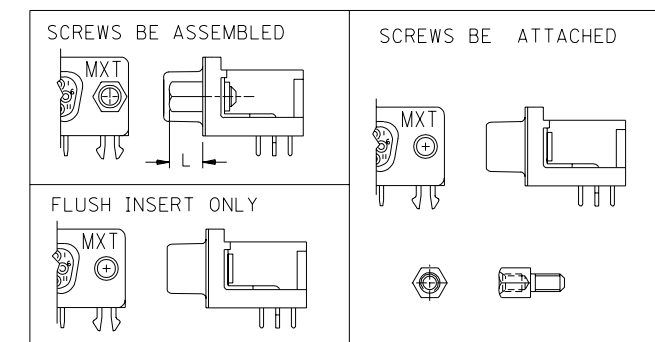
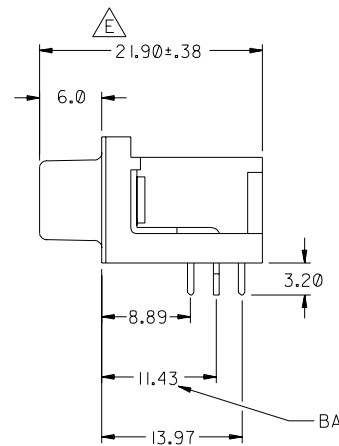


DO NOT SCALE DRAWING
 CAD FILE : S8926367
 SIMILAR ITEM
 EDP NO.
 ENG. NO
 SDA-89263-67**



NOTES:
 1.MATERIALS:
 INSULATOR - POLYESTER GLASS FIBER FILLED,UL-94V-0,COLOR :ROYAL BLUE
 CONTACT - PHOSPHOR BRONZE
 2.SOCKET #9 IS MOVED BACK 1.27MM FOR DDC COMPATIBILITY
 3.THIS PART CONFORMS TO PRODUCT SPECIFICATION:PS-89263



PART NUMBER LEGEND

89263-6 7 * *

- 4 : 30 MICROINCH MINIMUM GOLD IN CONTACT AREA
NICKEL ALL OVER AND 100 MICROINCH
TIN/LEAD ON TAILS
- 5 : 15 MICROINCH MINIMUM GOLD IN CONTACT AREA
NICKEL ALL OVER AND 100 MICROINCH
TIN/LEAD ON TAILS
- 6 : GOLD FLASH ALL OVER
- 7 : GOLD FLASH IN CONTACT AREA
NICKEL ALL OVER AND 100 MICROINCH
TIN/LEAD ON TAILS
- 2: Flush insert only
- 3: 2 pcs #4-40 inner thread screw assembled (L=5mm)
- 4: 2 pcs M2.6 inner thread screw assembled (L=5mm)
- 5: 2 pcs M3 inner thread screw assembled (L=5mm)
- 6: 2 pcs #4-40 inner thread screw attached (L=5mm)
- 7: 2 pcs M2.6 inner thread screw attached (L=5mm)
- 8: 2 pcs M3 inner thread screw attached (L=5mm)
- 9: 2 pcs #4-40 inner thread screw assembled (L=6mm)

| | | | | | | | |
|---------------------------|----------------------------|----------|--------|--------|---------------------------|-----------|---|
| F | CORRECT THE PIN ASSIGNMENT | 1204-083 | TWU | 031203 | MATERIAL : | SEE NOTES | MOLEX TAIWAN LTD. SHEET 1 OF 1 |
| E | ADD A SCREW OPTION | T03-011 | V. LIN | 020717 | FINISH : | | |
| D | ADD A PLATING OPTION | T02-227 | V. LIN | 020401 | WIRE RANGE : | | GENERAL TOLERANCES ANGLE : ± 3° DIM : ± .25/.010 |
| C | RELEASE TO MANUFACTURING | T97-381 | NEIL | 970520 | INS. RANGE : | | ENG. NO.: SDA-89263-67** |
| B | TOOLING COMPLETED | T97-016 | NEIL | 960807 | | | REV F |
| A1 | REMOVE THE "X" | T96-179 | NEIL | 951120 | | | |
| 2 | UPDATE TAIL DIM.TA95-050 | | R.YANG | 950216 | | | |
| 1 | ECN TA94-248,NEW RELEASE | | R.YANG | 941227 | | | |
| LTR | REVISION RECORD | ECN | DR | DATE | DRAWN BY 941227 R.YANG | CHK'D BY | TITLE : HI-DENSITY ,15 CIRCUIT DDC COMPATIBLE D-SUB |
| REVISE ONLY ON CAD SYSTEM | | | | | APPR'D BY | SCALE 2:1 | |