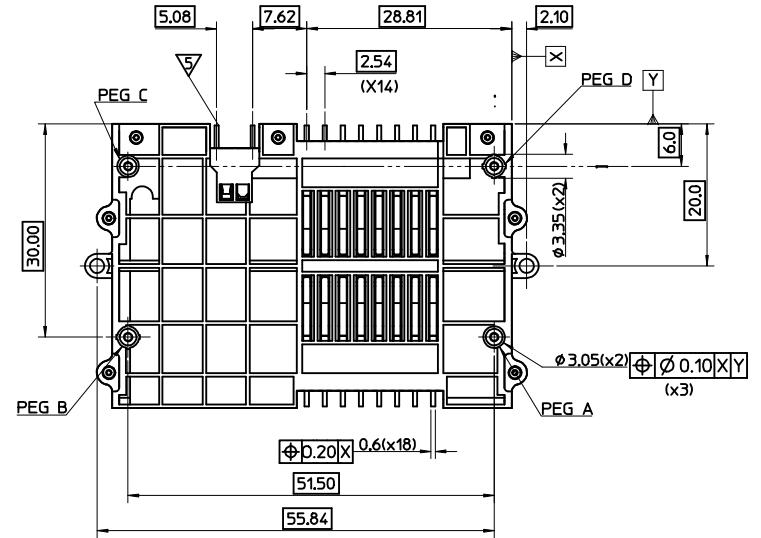
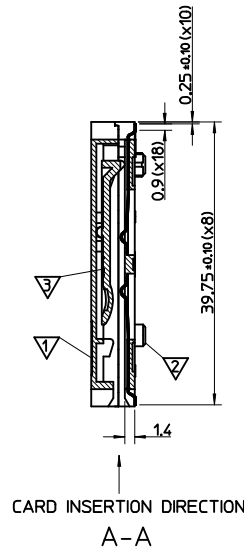
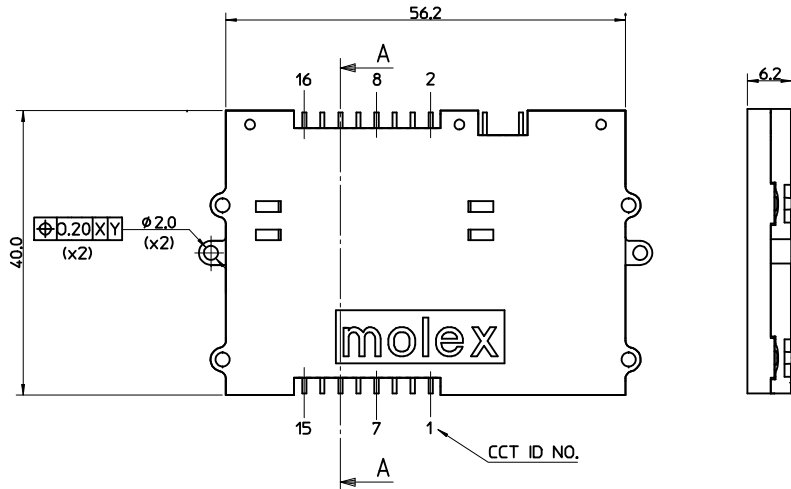
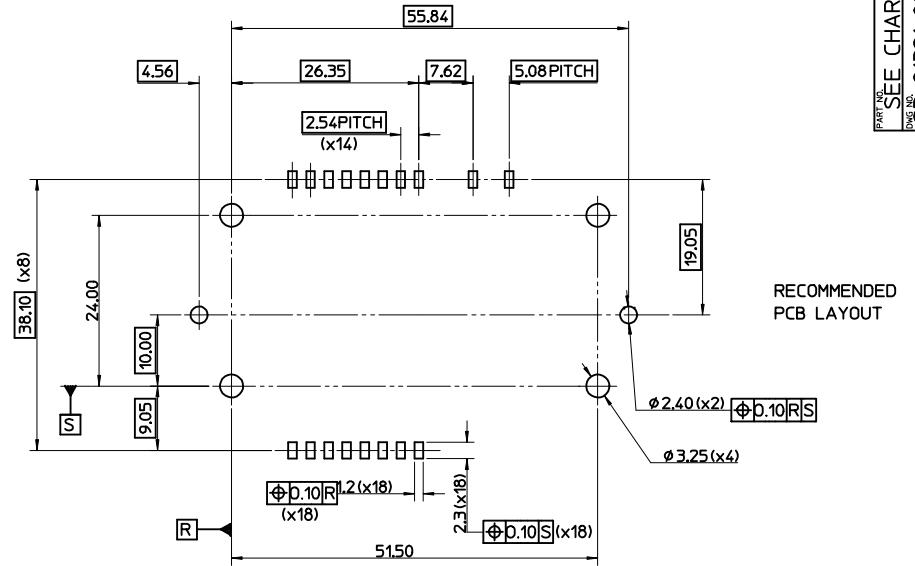
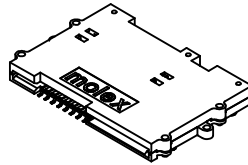


ITEM	COMPONENT	QTY	MATERIAL
▽	UPPER HOUSING	1	30% G.F LCP, COLOUR NATURAL
▽	LOWER HOUSING	1	30% G.F LCP, COLOUR NATURAL
▽	LAND MECHANISM	1	30% G.F. LCP, COLOUR NATURAL
▽	SIGNAL TERMINAL	SEE CHART	0.20 REF. THK. PHOSPHOR BRONZE
▽	SWITCH CONTACT	1	GOLD OVER PALLADIUM NICKEL ON CONTACT AREA TIN IN SOLDER AREA, NICKEL UNDERCOAT ALLOVER

PART NO.	CCT SIZE	WITH PEGS	HOLD DOWN FEATURES	PART NO.	CCT SIZE	WITH PEGS	HOLD DOWN FEATURES
91321-0002	8	A,B,C,D	YES	91321-0001	16	A,B,C,D	YES
91321-0017	8	A,B,C,D	NO	91321-0031	16	A,B,C,D	NO
91321-0005	8	A,C	YES	91321-0019	16	A,C	YES
91321-0006	8	A,C	NO	91321-0020	16	A,C	NO
91321-0007	8	B,D	YES	91321-0021	16	B,D	YES
91321-0008	8	B,D	NO	91321-0022	16	B,D	NO
91321-0009	8	NONE	YES	91321-0023	16	NONE	YES
91321-0010	8	NONE	NO	91321-0024	16	NONE </tr	



- NOTES:
 1. SEE PRODUCT SPECIFICATION PS-91321-005
 2. PACKAGING: TRAYS
 3. DATUM Z TO BE THE ZERO LINE FOR THE MEASUREMENT OF COPLANARITY, IT IS TO BE TAKEN AS THE PLANE OF A METAL BLOCK ON WHICH THE CONNECTOR RESTS FREELY. ALL SOLDER TAILS TO LIE WITHIN 0.10mm OF THIS PLANE.



LEAD-FREE CONVERSION EC NO. DRW/PS/SHEAHAN 08/11/2004 CH/K: APPR:	QUALITY SYMBOLS MAJOR CRITICAL	GENERAL TOLERANCES: (UNLESS SPECIFIED) <table border="1"> <tr> <th></th> <th>MM</th> <th>INCH</th> </tr> <tr> <td>4 PLACES</td> <td>±---</td> <td>±---</td> </tr> <tr> <td>3 PLACES</td> <td>±---</td> <td>±---</td> </tr> <tr> <td>2 PLACES</td> <td>±0.05</td> <td>±---</td> </tr> <tr> <td>1 PLACE</td> <td>±0.10</td> <td>±---</td> </tr> </table>		MM	INCH	4 PLACES	±---	±---	3 PLACES	±---	±---	2 PLACES	±0.05	±---	1 PLACE	±0.10	±---	SCALE 2:1 DESIGN UNITS <input checked="" type="checkbox"/> MM <input type="checkbox"/> INCH THIRD ANGLE PROJECTION	DIMENSIONS: <input type="checkbox"/> MM <input type="checkbox"/> INCH <input checked="" type="checkbox"/> MM ONLY SHT REV REVISE ON CAD ONLY
		MM	INCH																
	4 PLACES	±---	±---																
	3 PLACES	±---	±---																
2 PLACES	±0.05	±---																	
1 PLACE	±0.10	±---																	
DRAWN BY & DATE MKEANE 2005/03/30 CHECKED BY & DATE BHAICHIRE 2005/03/20 APPROVED BY & DATE BHAICHIRE 2005/03/21	TITLE: LANDED SMART CARD CONNECTOR (SMT VERSION) MOLEX INCORPORATED	MATERIAL NO. SEE CHART SD-91321-003 DRAWING NO. SD-91321-003	SHEET NO. 1 of 1 SIZE C																
DRAFT WHERE APPLICABLE MUST REMAIN WITHIN DIMENSIONS	THIS DRAWING CONTAINS INFORMATION THAT IS PROPRIETARY TO MOLEX INCORPORATED AND SHOULD NOT BE USED WITHOUT WRITTEN PERMISSION.																		

PART NO. SEE CHART SD-91321-003